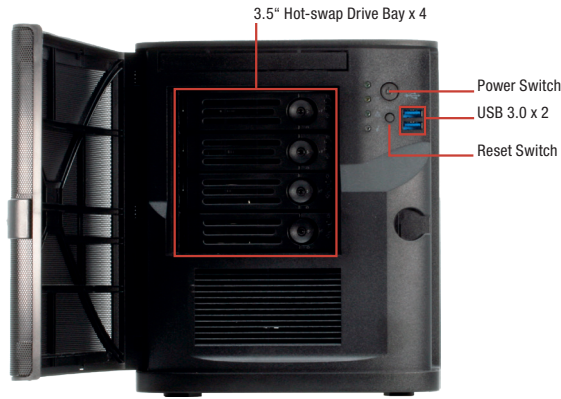


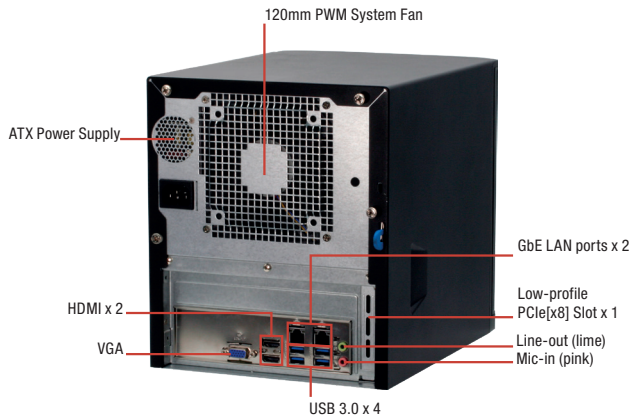
# RT-500T-Q170

Mini-Tower Server with 6th/7th Generation Intel® Core™ i Series, Max. 65W TDPs, SATA 6.0 Gb/s x 6

Front View



Rear View



## Features

- 6th/7th Generation Intel® Core™ i Series, LGA 1151 Socket Processor, Max. 65W TDPs
- DDR4 SODIMM x 2, Up to 32 GB
- Three Independent Display : VGA x 1, HDMI x 2
- SATA 6.0Gb/s x 6, M.2 E-key 2230 for PCIe
- PCIe [x8] x 1
- LAN1 Supports iAMT11.0
- Support 4x 3.5" hot-swap SAS/SATA HDD bay
- Support 2nd 2.5" HDD/SSD by optional accessory



I/O Chipset	NCT6791D
Display Interface	VGA + HDMI + HDMI
Storage	SATA3 (6.0Gb/s) x 6, Support RAID 0/1/5/10
Storage Devices	Four 3.5" swappable HDD bays + One 2.5" HDD bay(internal) It supports 2nd 2.5" HDD by optional HDD kit
Audio	Realtek® ALC887 with Amp.
Ethernet	Intel® 219LM for vPro x 1, Intel® i211AT x 1
TPM	—
H/W Monitor	Temperature Monitor on CPU/Chassis, Voltage Monitor on Vcore/5V/12V, Fan Monitor on CPU/Chassis
Watchdog Timer	1~255 steps by software program
Smart Fan control	CPU Fan/Chassis Fan
Wake On LAN/ PXE	Yes (WOL / PXE)
Power State	S3, S4, S5
System Fan	120mm PWM fan x 1
<b>I/O</b>	
Front Panel	Power button x 1, Reset button x 1, Power LED x 1, HDD activity LED x 1
Rear Panel I/O	USB 3.0 x 6 VGA x 1, HDMI x 2 Mic-in x 1, Line out x 1 LAN (RJ45) port x 2
Internal I/O connectors	SATA3 (6.0Gb/s) x 6 SATA power connector x 1 Speaker out x 1 4-pin CPU Fan connector x 1 4-pin Chassis Fan connector x 1 M.2 E-key(22x30mm) for PCIe x 1 PCIe3.0 [x8] x 1, support Low-profile bracket Front Panel connector x 1 Chassis Intrusion x 1 Buzzer onboard x 1 CMOS jumper x 1
Expansion	PCIe3.0 [x8] x 1, support Low-profile bracket M.2 E-key (22x30mm) for PCIe x 1
<b>Power</b>	
Battery	—
Power Requirement	ATX power supply Input:90~264V Output:250W.
<b>Mechanical</b>	
Color	Black
Dimensions (W X H X D)	210mm x 240mm x 240mm (8.27" x 9.45" x 9.45")
Gross Weight	TBC
Net Weight	TBC
<b>Environmental</b>	
Operating Temperature	50°F ~ 95°F (10°C ~ 35°C)
Storage Temperature	-40°F ~ 140°F (-40°C ~ 60°C)
Storage Humidity	5%~95%, non-condensing

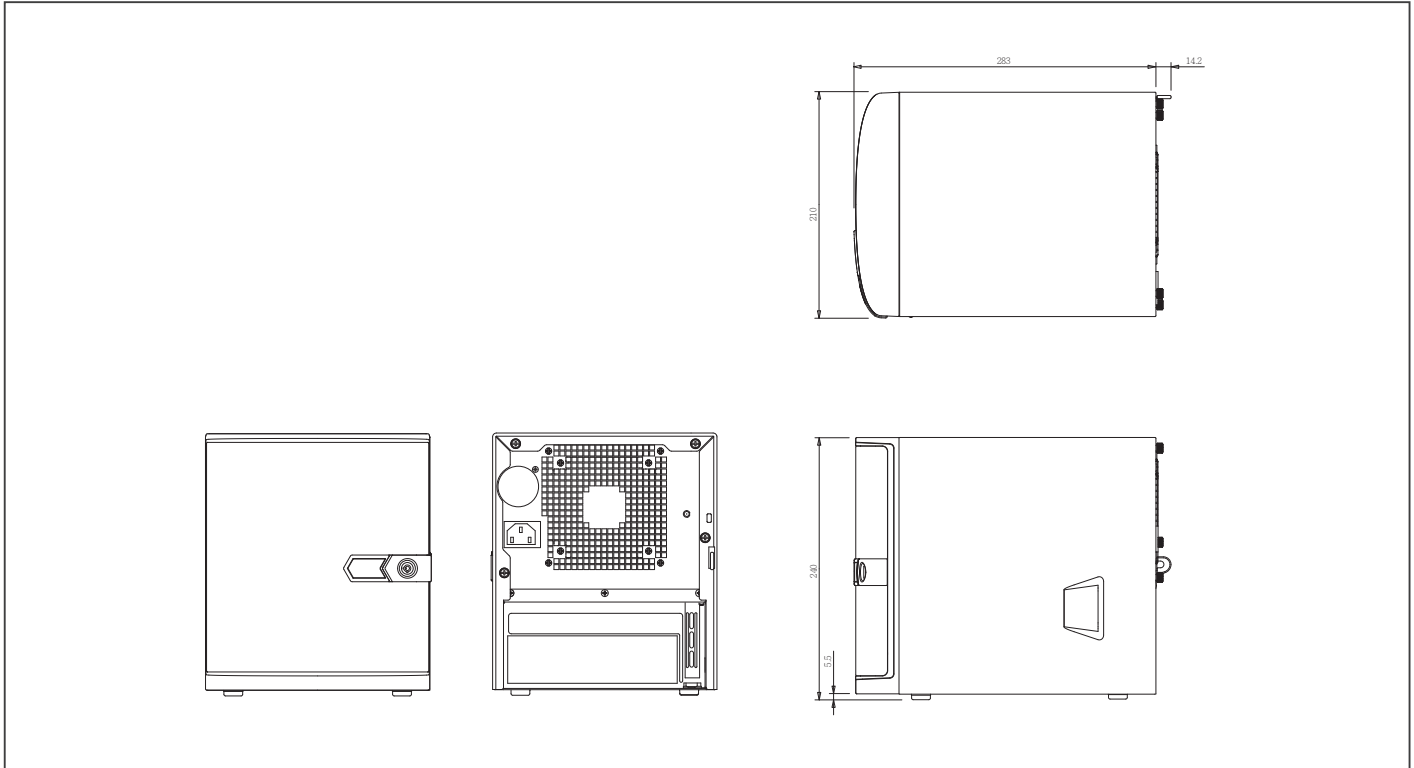
## Specifications

System	
CPU	6th/7th Generation Intel® Core™ i7/ i5 /i3, LGA 1151 socket Processor, Max. 65W TDPs
Chipset	Intel® Q170 Express Chipset
System Memory	DDR4 2133/1867 MHz SODIMM x 2, Up to 32GB, Non-ECC, Un-buffered Memory, Dual channel memory architecture

# RT-500T-Q170

## Dimension

Unit: mm



## Packing List

- Accessory Box (Cable And Screw Bag)
- RT-500T-Q170

## Ordering Information

- RT-500T-Q170-A10-001  
Mini-Tower chassis, EMB-Q170C, Flex ATX power supply 250W, black color

## Optional Accessories

- COOLER-65W-01  
1U CPU Cooler.LGA 1156.12V.65W.4P.  
Kingcooler.0571-1463R
- 1702031802  
Power Cord (US & Taiwan Type)
- 1702031803  
Power Cord (European Type)
- 170203180E  
Power Cord (Japanese Type)
- AP-BRM000000010  
2.5" HDD Bracket for 2nd 2.5" HDD
- 1709070400  
SATA cable for 4th / 5th / 6th HDD