

RDS-0310

Rugged Docking Station (For RTC-700A/C & RTC-900B)



Features

- Simple, Smooth Design For Easier Cleaning
- Flexible for User to Tilt A Suitable Viewing Angle
- USB x 4, and Ethernet Ports Extension
- Supports Video Output Micro HDMI
- LED Indicate Charging Status
- 75mm VESA Hole Pattern Supports Mounting
- Easy to Install, For Quick Repair & Ease in Maintenance
- Expandable to Fit RTC-700 & RTC-900 Series Tablets



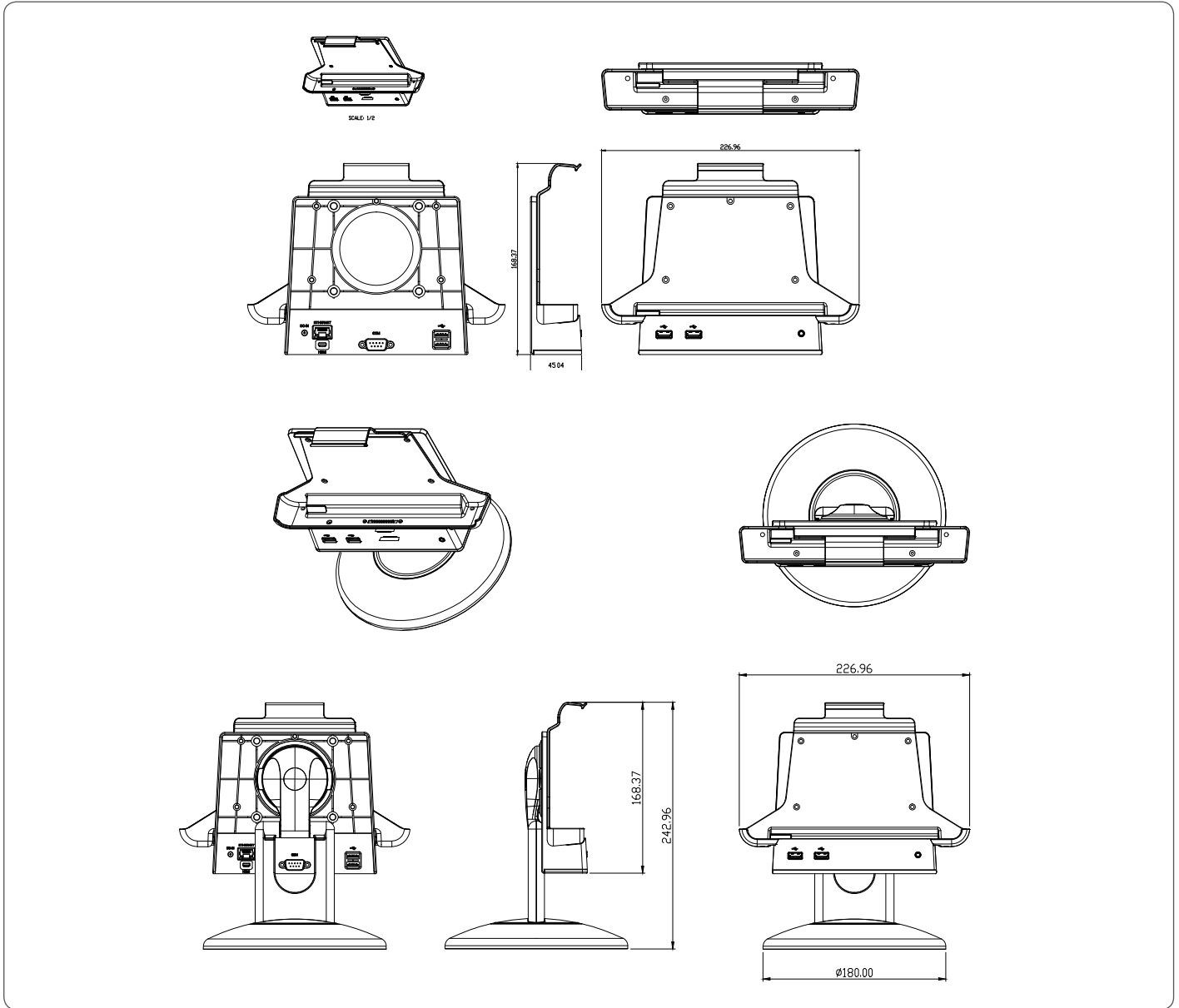
Specifications

System	
I/O	USB 2.0 x 4 RJ-45 jack for 10/100 Base-TX Ethernet x1 Micro HDMI x 1 RS-232 x 1
DC Input	DC in 12V
LED Indicator	Power Input Status: -Yellow LED indicates DC input -Blue LED indicates RTC connection Ethernet status: Green LED indicates connection status
Mechanical	
Color	Black
Construction	PC
Dimension (W x H x D)	243mm x 227mm x 180mm
Gross Weight	830 g
Environmental	
Temperature	Operating Environment Temperature: 0°C to 40°C Storage Environment Temperature: -10°C to 50°C
ESD	Air +/- 8KV, Contact +/- 4KV
EMI/Safety	CE/FCC Class B/UL
Power Supply	
AC/DC Adapter	AC Power input: 100V-240V, 50Hz-60Hz, 24W output: 12V, 2A

RDS-0310

Dimension

Unit: mm



Ordering Information

Part Number	Applied Models	Stand	Expansion I/O
TF-RDS-0310-0000	For RTC-700 Series (Android platform)	Yes	COM x 1, USB x 4, LAN x 1
TF-RDS-0310-0001	For RTC-700 Series (Windows platform)	Yes	COM x 1, USB x 4, LAN x 1, HDMI x 1
TF-RDS-0310-0002	For RTC-900 Series	Yes	COM x 1, USB x 4, LAN x 1, HDMI x 1