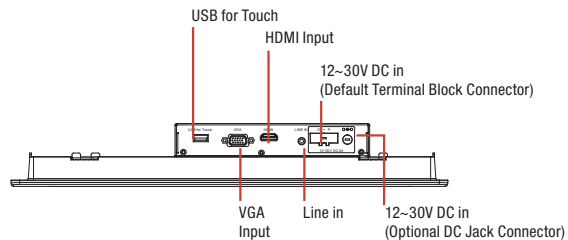
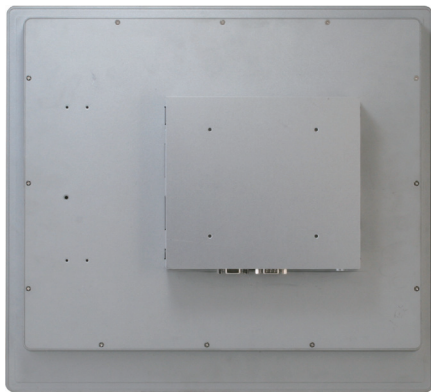


OMNI-317M

17" Touch Display Monitor, DC 12~30V



Features

- 17" SXGA (1280 x 1024) TFT LCD Display
- Provide Projective Capacitive Touch or Resistive Touch Screen
- IP65 Aluminum Front Bezel
- DC 12~30V with Over Voltage/Current, Under Voltage Protection
- Optional Built-in Speakers

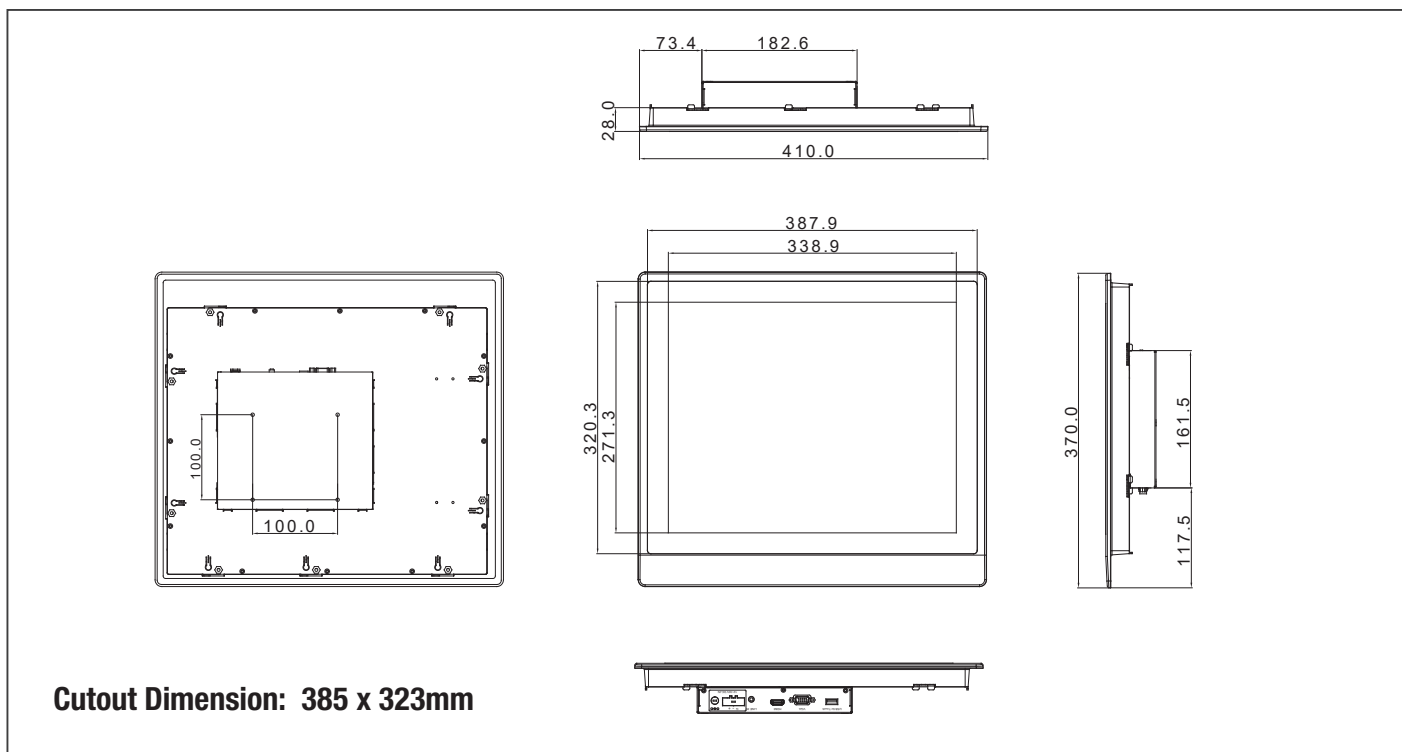


Specifications

System	
Input Signal	VGA / HDMI
On Screen Display Control	5 keys OSD keypad (Up, Down, Menu, Auto, Power)
I/O Port	DB-15 VGA x 1 HDMI x 1 USB x 1 (For Enable T/S Function) Line in x 1 (For optional internal Speaker) Power Input x 1(Terminal Block 3pin)
Os Support	Windows® 7 32/64-bit, Windows® 8 32/64-bit, Windows® 10 64-bit, Linux Ubuntu 16.04
Mechanical	
Construction	IP65 aluminum front bezel & SGCC chassis
Mounting	Panel Mount / VESA 100 x 100 / Stand
Dimension	16.1" x 14.6" x 2.3" (410mm x 370mm x 59.1mm)
Carton Dimension	20.6" x 19.3" x 10.3" (522mm x 490mm x 262mm)
Gross Weight	14.8 lbs (6.7 kg)
Net Weight	11.7 lbs (5.3 kg)
Environmental	
Operating Temperature	14°F ~ 131°F (-10°C ~ 55°C) With 0.5m/s Airflow
Storage Temperature	-4°F ~ 140°F (-20°C ~ 60°C)
Storage Humidity	10%~90% @104°F (40°C); non-condensing
Vibration	1 Grms / 5~500Hz/random Operation
Shock	—
EMC	CE/FCC, Class A
Power Supply	
Dc Input	DC 12~30V Power Input with 3 Pin Terminal Block
LCD	
Display Type	17" TFT-LCD
Max. Resolution	1280 x 1024
Max. Colors	16.7M
Luminance	350 cd/m ²
Viewing Angle	160° (H), 140° (V)
Back Light	LED
Back Light MTBF (Hours)	50,000
Touchscreen	
Type	Projective Capacitive Multi Touch or 5 Wire Resistive Touch Screen (By Model)
Light Transmission	P-CAP (90% ± 3%), 5-wire Resistive (80% ± 3%)
Life Time	—

Dimension

Unit: mm



Ordering Information

Part Number	Display Type	Max. Resolution	Luminance	View Angle	Backlight MTBF (Hours)	Display	Mounting	Power	Temp.	Touch	Others
OMNI-317MHTT-A1-1011	17" TFT-LCD	1280 x 1024	350 cd/m ²	160°(H), 140°(V)	50,000	VGA x 1 HDMI x 1	Panel mount VESA 100	DC 12V~30V	14°F ~ 131°F (-10°C ~ 55°C) (with 0.5 m/s airflow)	Flat 5 Wire Resistive	—
OMNI-317MHTT-A2-1010	17" TFT-LCD	1280 x 1024	350 cd/m ²	160°(H), 140°(V)	50,000	VGA x 1 HDMI x 1	Panel mount VESA 100	DC 12V~30V	14°F ~ 131°F (-10°C ~ 55°C) (with 0.5 m/s airflow)	Projected Capacitive	—

Packing List

- VGA Cable x 1
- USB Cable for Touch x 1
- Phoenix Power Connector
- OMNI-317M

Optional Accessories

- **125530040F**
12V 40W FSP040-DHAN3
- **1702031802**
Power Cord (US Type)
- **1702031803**
Power Cord (European Type)
- **170203180E**
Power Cord (Japanese Type)
- **AP-0T9789LA1000**
LCD Monitor Stand 230mm, LA-100