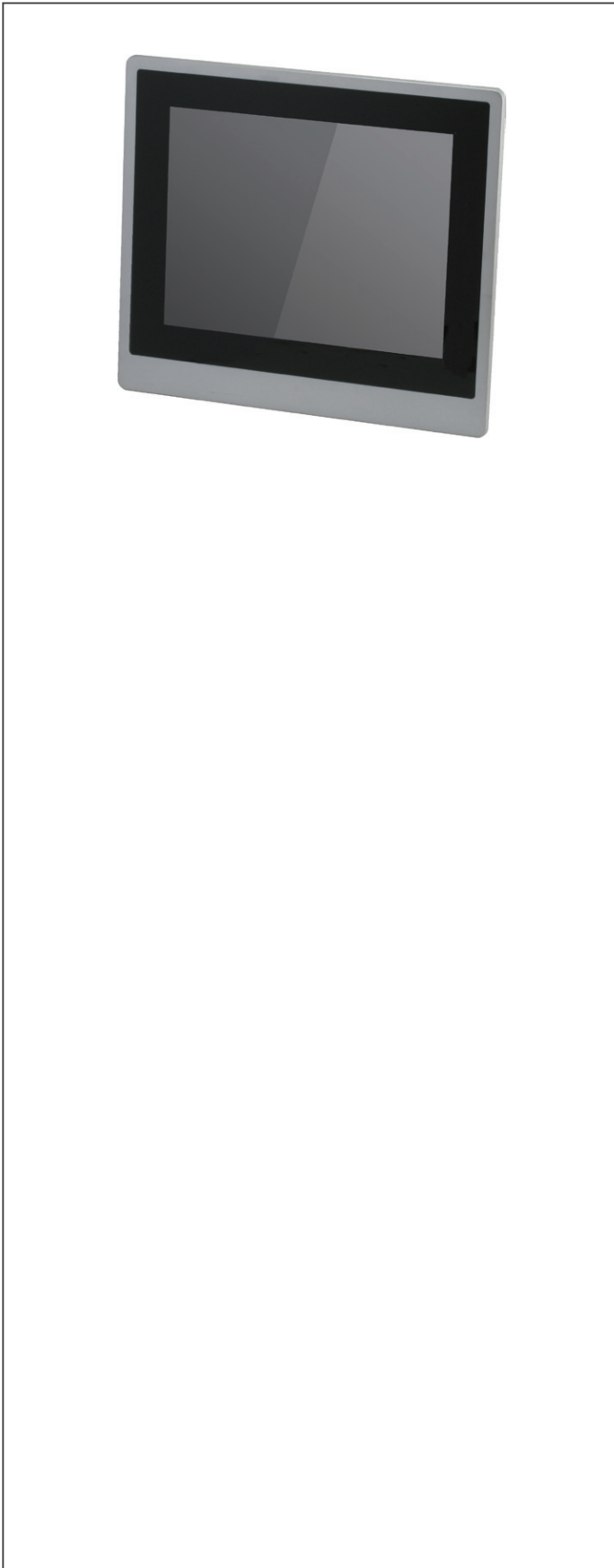


12.1" OMNI Modular Touch/ LCD Kit



Features

- 12.1" (1024 x 768) OMNI Modular Touch/ LCD Kit
- Supports Projected Capacitive Multi Touch or Resistive Touch Screen
- IP65 Compliant Aluminum Front Bezel



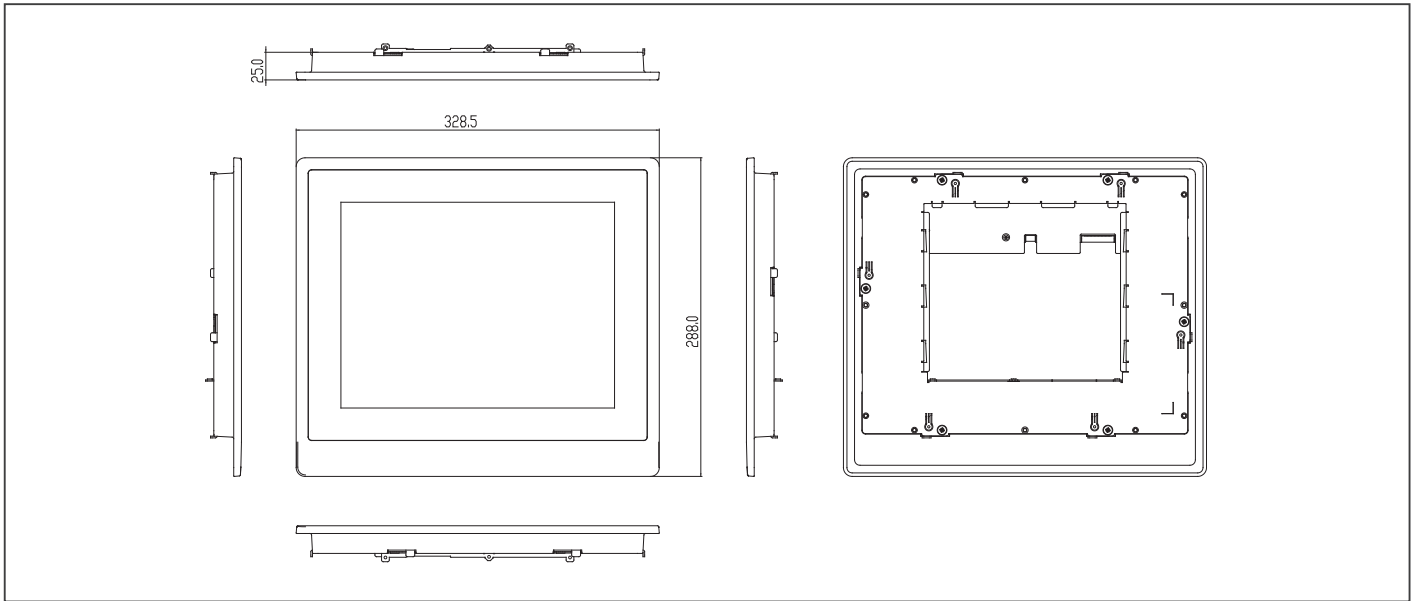
Specifications

Mechanical	
Construction	Aluminum Front Bezel
Mounting	—
Dimension	12.95" x 11.34" x 0.98" (329mm x 288mm x 25mm)
Carton Dimension	20.87" x 17.52" x 7.87" (530mm x 445mm x 200mm)
Gross Weight	4.4 lb (2 kg)
Environmental	
Operating Temperature	14°F ~ 131°F (-10°C ~ 55°C) with 0.5 m/s airflow
Storage Temperature	-4°F ~ 158°F (-20°C ~ 70°C)
Storage Humidity	90% @40°C; non-condensing
Vibration	1 Grms/ 5~ 500Hz/ operation – with HDD
Shock	15G peak acceleration (11 msec. duration) – with HDD
EMC	CE/FCC Class A
Power Supply	
DC input	—
LCD	
Display Type	12.1" TFT-LCD, LED
Max Resolution	1024 x 768
Max. Colors	16.2M colors
Luminance	500 cd/m ²
Viewing Angle	160°(H), 160°(V)
Back Light	LED
Back Light MTBF (hours)	50,000
Touch Screen	
Type	Full Flat Resistive Touch Screen or Projective Capacitive Touch
Light Transmission	90%

OMNI-312D Panel Kit

Dimension

Unit: mm



Ordering Information

Part Number	Display Type	Max Resolution	Luminance	View Angle	Backlight MTBF (Hours)	Temp.	Touch	Other
OMNI-312DHTT-KIT-A1-1011	12.1" TFT-LCD	1024 x 768	500 cd/m ²	160(H), 160(V)	50,000	-10°C ~ 55°C	Full Flat Resistive Touch Screen	Support OMNI CPU BOX kit
OMNI-312DHTT-KIT-A2-1011	12.1" TFT-LCD	1024 x 768	500 cd/m ²	160(H), 160(V)	50,000	-10°C ~ 55°C	Projective Capacitive Touch	Support OMNI CPU BOX kit