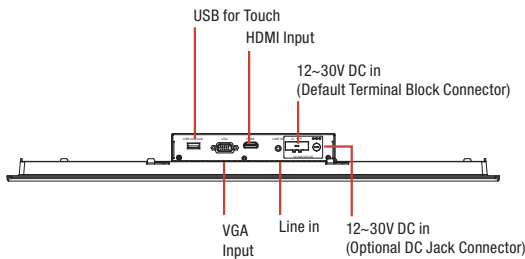
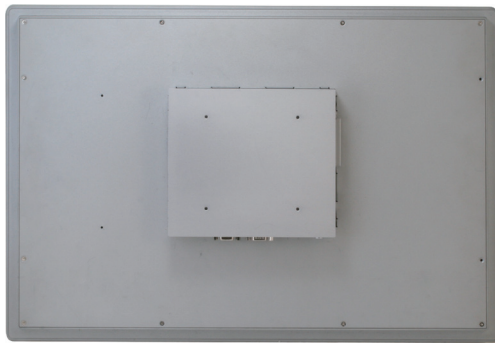


21.5" Touch Display Monitor, DC 12~30V



Features

- 21.5" FHD (1920 x 1080) TFT LCD Display
- Provide Projective Capacitive Touch or Resistive Touch Screen
- IP65 Aluminum Front Bezel
- DC 12~30V with Over Voltage/Current, Under Voltage Protection
- Optional Built-in Speakers

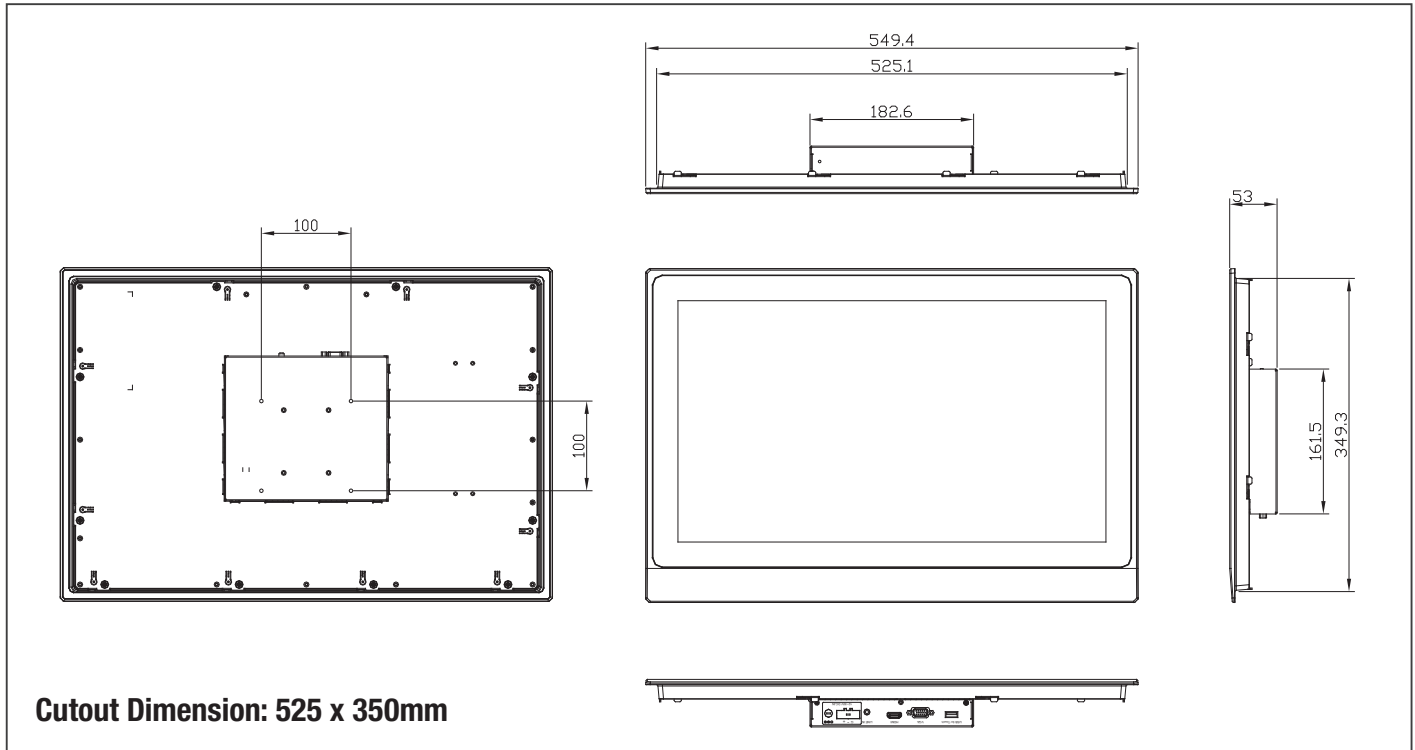


Specifications

System	
Input Signal	VGA/HDMI
On Screen Display Control	5 keys OSD keypad (Up, Down, Menu, Auto, Power)
I/O Port	DB9 VGA x 1 HDMI x 1 USB x 1 (For Enable T/S Function) Line in x 1 (For optional internal Speaker) Power Input x 1(Terminal Block 3pin)
Os Support	Windows® 7 32/64 bit, Windows® 8 32/64 bit, Windows® 10 64 bit, Linux Ubuntu 16.04
Mechanical	
Construction	IP65 aluminum front bezel & SGCC chassis
Mounting	Panel Mount / VESA 100x100 / Stand
Dimension	21.6" x 14.6" x 2.1" (549mm x 372mm x 53mm)
Carton Dimension	26.4" x 20.7" x 7.9" (670mm x 525mm x 200mm)
Gross Weight	18.5 lbs (8.4 kg)
Net Weight	15.4 lbs (7.0 kg)
Environmental	
Operating Temperature	14°F ~ 131°F (-10°C ~ 55°C) With 0.5m/s Airflow
Storage Temperature	-4°F ~ 140°F (-20°C ~ 60°C)
Storage Humidity	10%~90% @104°F (40°C); non-condensing
Vibration	1 Grms / 5~500Hz/random Operation
Shock	—
EMC	CE/FCC, Class A
Power Supply	
Dc Input	DC 12~30V Power Input with 3 Pin Terminal Block
LCD	
Display Type	21.5" TFT-LCD
Max. Resolution	1920 x 1080
Max. Colors	16.7M
Luminance	250 cd/m ²
Viewing Angle	178°(H), 178°(V)
Back Light	LED
Back Light MTBF (Hours)	30,000
Touchscreen	
Type	Projective Capacitive Multi Touch or 5 Wire Resistive Touch Screen (By Model)
Light Transmission	P-CAP (90% ± 3%), 5-wire Resistive (80% ± 3%)
Life Time	—

Dimension

Unit: mm



Ordering Information

Part Number	Display Type	Max. Resolution	Luminance	View Angle	Backlight MTBF (Hours)	Display	Mounting	Power	Temp.	Touch	Others
OMNI-221MHTT-A1-1010	21.5" TFT-LCD	1920 x 1080	250 cd/m ²	178(H), 178(V)	50,000	VGA x 1 HDMI x 1	Panel mount VESA 100	DC 12V~30V	14°F ~ 131°F (-10°C ~ 55°C) (with 0.5 m/s airflow)	Flat 5 Wire Resistive	—
OMNI-221MHTT-A2-1010	21.5" TFT-LCD	1920 x 1080	250 cd/m ²	178(H), 178(V)	50,000	VGA x 1 HDMI x 1	Panel mount VESA 100	DC 12V~30V	14°F ~ 131°F (-10°C ~ 55°C) (with 0.5 m/s airflow)	Projected Capacitive	—

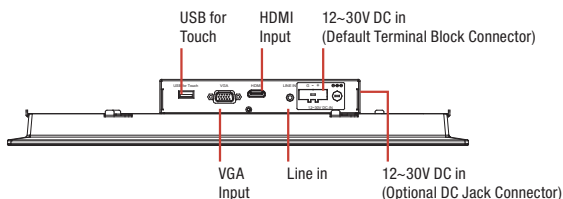
Packing List

- OMNI-221M x 1
- VGA Cable x 1
- USB Cable for Touch x 1
- Touch Driver CD x 1
- Phoenix Power Connector

Optional Accessories

- **1255300402**
(TF) Adapter, AC/DC, input AC, 90~264, output DC, 12V, 3.3A, 40W, 3p phoenix, FSP, FSP040-RHAN2/9NA0404929
- **1702031802**
Power Cord (US Type)
- **1702031803**
Power Cord (European Type)
- **170203180E**
Power Cord (Japanese Type)
- **AP-0T9789LA1000**
LCD Monitor Stand 230mm, LA-100

15.6" Touch Display Monitor, DC 12~30V



Features

- 15.6" WXGA (1366 x 768) TFT LCD Display
- Provide Projective Capacitive Touch or Resistive Touch Screen
- IP65 Aluminum Front Bezel
- DC 12~30V with Over Voltage/Current, Under Voltage Protection
- Optional Built-in Speakers

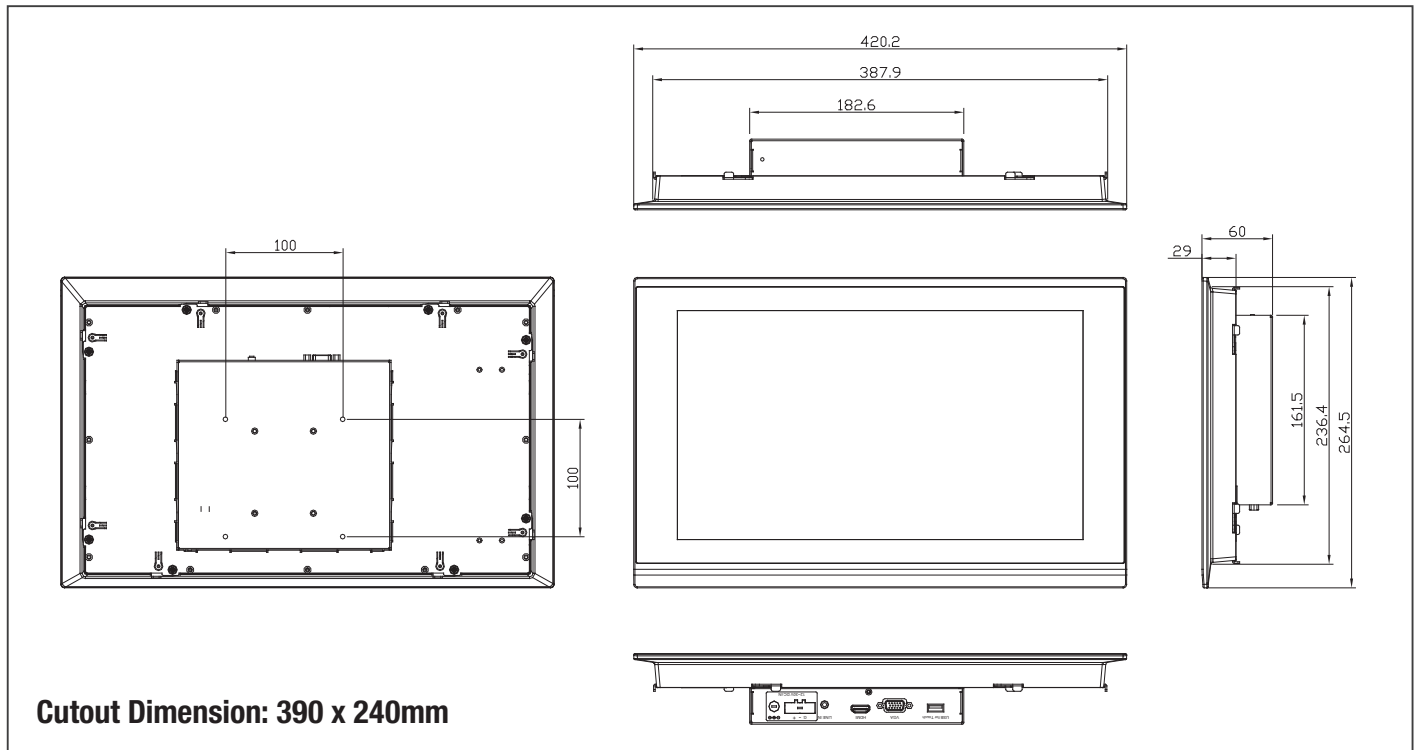


Specifications

System	
Input Signal	VGA/HDMI
On Screen Display Control	5 keys OSD keypad (Up, Down, Menu, Auto, Power)
I/O Port	DB9 VGA x 1 HDMI x 1 USB x 1 (For Enable T/S Function) Line in x 1 (For optional internal Speaker) Power Input x 1 (Terminal Block 3pin)
Os Support	Windows® 7 32/64 bit, Windows® 8 32/64 bit, Windows® 10 64 bit, Linux Ubuntu 16.04
Mechanical	
Construction	IP65 aluminum front bezel & SGCC chassis
Mounting	Panel Mount / VESA 100x100 / Stand
Dimension	16.5" x 10.4" x 2.4" (420.2mm x 264.5mm x 60.2mm)
Carton Dimension	20.9" x 17.5" x 7.9" (530mm x 445mm x 200mm)
Gross Weight	14.1 lbs (6.4 kg)
Net Weight	11.2 lbs (5.1 kg)
Environmental	
Operating Temperature	14°F ~ 131°F (-10°C ~ 55°C) With 0.5m/s Airflow
Storage Temperature	-4°F ~ 140°F (-20°C ~ 60°C)
Storage Humidity	10%~90% @104°F (40°C); non-condensing
Vibration	1 Grms / 5~500Hz/random Operation
Shock	—
EMC	CE/FCC, Class A
Power Supply	
Dc Input	DC 12~30V Power Input with 3 Pin Terminal Block
LCD	
Display Type	15.6" TFT-LCD
Max. Resolution	1366 x 768
Max. Colors	16.7M
Luminance	400 cd/m ²
Viewing Angle	170°(H), 160°(V)
Back Light	LED
Back Light MTBF (Hours)	50,000
Touchscreen	
Type	Projective Capacitive Multi Touch or 5 Wire Resistive Touch Screen (By Model)
Light Transmission	P-CAP (90% ± 3%), 5-wire Resistive (80% ± 3%)
Life Time	—

Dimension

Unit: mm



Ordering Information

Part Number	Display Type	Max. Resolution	Luminance	View Angle	Backlight MTBF (Hours)	Display	Mounting	Power	Temp.	Touch	Others
OMNI-215MHTT-A1-1010	15.6" TFT-LCD	1366 x 768	400 cd/m ²	160(H), 140(V)	50,000	VGA x 1 HDMI x 1	Panel mount VESA 100	DC 12V~30V	14°F ~ 131°F (-10°C ~ 55°C) (with 0.5 m/s airflow)	Flat 5 Wire Resistive	—
OMNI-215MHTT-A2-1010	15.6" TFT-LCD	1366 x 768	400 cd/m ²	160(H), 140(V)	50,000	VGA x 1 HDMI x 1	Panel mount VESA 100	DC 12V~30V	14°F ~ 131°F (-10°C ~ 55°C) (with 0.5 m/s airflow)	Projected Capacitive	—

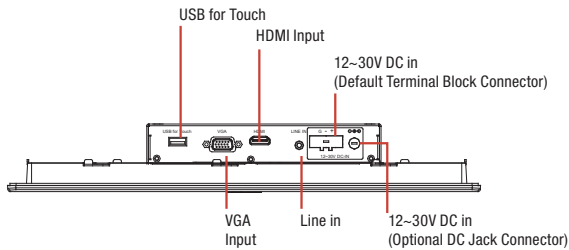
Packing List

- OMNI-215M x 1
- VGA Cable x 1
- USB Cable for Touch x 1
- Touch Driver CD x 1
- Phoenix Power Connector

Optional Accessories

- **1255300402**
(TF) Adapter, AC/DC, input AC, 90~264, output DC, 12V, 3.3A, 40W, 3p phoenix, FSP, FSP040-RHAN2/9NA0404929
- **1702031802**
Power Cord (US Type)
- **1702031803**
Power Cord (European Type)
- **170203180E**
Power Cord (Japanese Type)
- **AP-0T9789LA1000**
LCD Monitor Stand 230mm, LA-100

19" Touch Display Monitor, DC 12~30V



Features

- 19" SXGA (1280 x 1024) TFT LCD Display
- Provide Projective Capacitive Touch or Resistive Touch Screen
- IP65 Aluminum Front Bezel
- DC 12~30V with Over Voltage/Current, Under Voltage Protection
- Optional Built-in Speakers

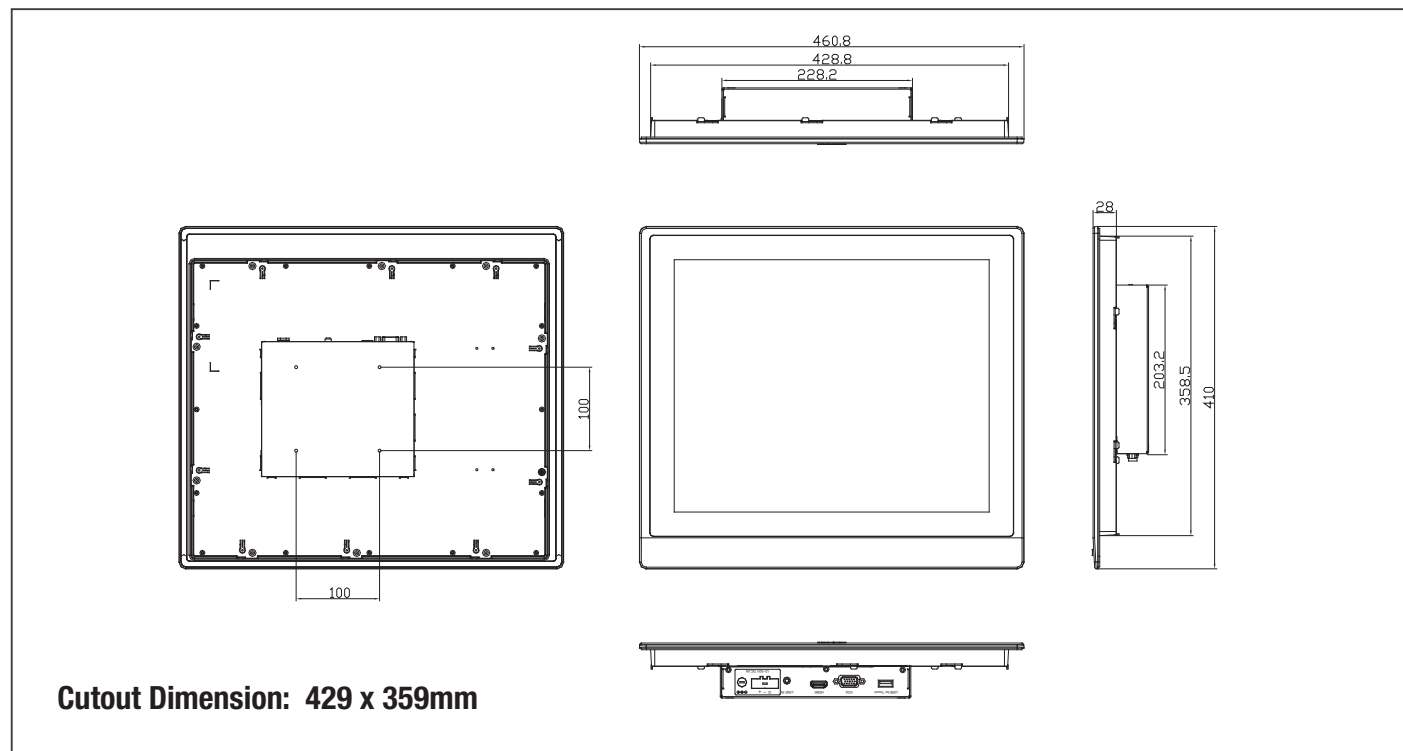


Specifications

System	
Input Signal	VGA / HDMI
On Screen Display Control	5 keys OSD keypad (Up, Down, Menu, Auto, Power)
I/O Port	DB9 VGA x 1 HDMI x 1 USB x 1 (For Enable T/S Function) Line in x 1 (For optional internal Speaker) Power Input x 1(Terminal Block 3pin)
Os Support	Windows® 7 32/64 bit, Windows® 8 32/64 bit, Windows® 10 64 bit, Linux Ubuntu 16.04
Mechanical	
Construction	IP65 aluminum front bezel & SGCC chassis
Mounting	Panel Mount / VESA 100x100 / Stand
Dimension	18.1" x 16.1" x 2.3" (460.8mm x 410mm x 59.1mm)
Carton Dimension	26.0" x 19.5" x 8.1 (661mm x 496mm x 206mm)
Gross Weight	18.1 lbs (8.2 kg)
Net Weight	15.2 lbs (6.9 kg)
Environmental	
Operating Temperature	14°F ~ 131°F (-10°C ~ 55°C) With 0.5m/s Airflow
Storage Temperature	-4°F ~ 140°F (-20°C ~ 60°C)
Storage Humidity	10%~90% @104°F (40°C); non-condensing
Vibration	1 Grms / 5~500Hz/random Operation
Shock	—
EMC	CE/FCC, Class A
Power Supply	
Dc Input	DC 12~30V Power Input with 3 Pin Terminal Block
LCD	
Display Type	19" TFT-LCD
Max. Resolution	1280 x 1024
Max. Colors	16.7M
Luminance	350 cd/m ²
Viewing Angle	170°(H), 160°(V)
Back Light	LED
Back Light MTBF (Hours)	50,000
Touchscreen	
Type	Projective Capacitive Multi Touch or 5 Wire Resistive Touch Screen (By Model)
Light Transmission	P-CAP (90% ± 3%), 5-wire Resistive (80% ± 3%)
Life Time	—

Dimension

Unit: mm



Ordering Information

Part Number	Display Type	Max. Resolution	Luminance	View Angle	Backlight MTBF (Hours)	Display	Mounting	Power	Temp.	Touch	Others
OMNI-319MHTT-A1-1010	19" TFT-LCD	1280 x 1024	350 cd/m ²	170(H), 160(V)	50,000	VGA x 1 HDMI x 1	Panel mount VESA 100	DC 12V~30V	14°F ~ 131°F (-10°C ~ 55°C) (with 0.5 m/s airflow)	Flat 5 Wire Resistive	—
OMNI-319MHTT-A2-1010	19" TFT-LCD	1280 x 1024	350 cd/m ²	170(H), 160(V)	50,000	VGA x 1 HDMI x 1	Panel mount VESA 100	DC 12V~30V	14°F ~ 131°F (-10°C ~ 55°C) (with 0.5 m/s airflow)	Projected Capacitive	—

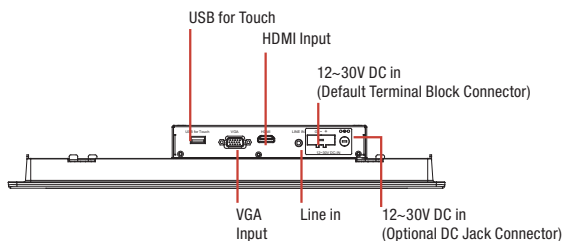
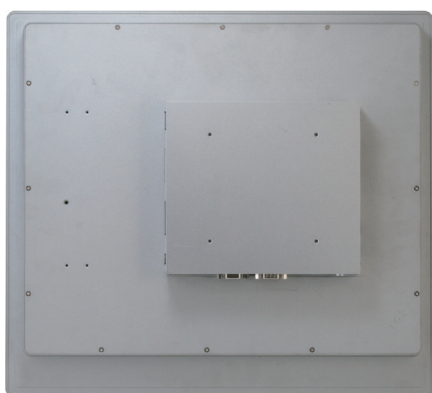
Packing List

- OMNI-319M x 1
- VGA Cable x 1
- USB Cable for Touch x 1
- Touch Driver CD x 1
- Phoenix Power Connector

Optional Accessories

- **1255300402**
(TF) Adapter, AC/DC, input AC, 90~264, output DC, 12V, 3.3A, 40W, 3p phoenix, FSP, FSP040-RHAN2/9NA0404929
- **1702031802**
Power Cord (US Type)
- **1702031803**
Power Cord (European Type)
- **170203180E**
Power Cord (Japanese Type)
- **AP-0T9789LA1000**
LCD Monitor Stand 230mm, LA-100

17" Touch Display Monitor, DC 12~30V



Features

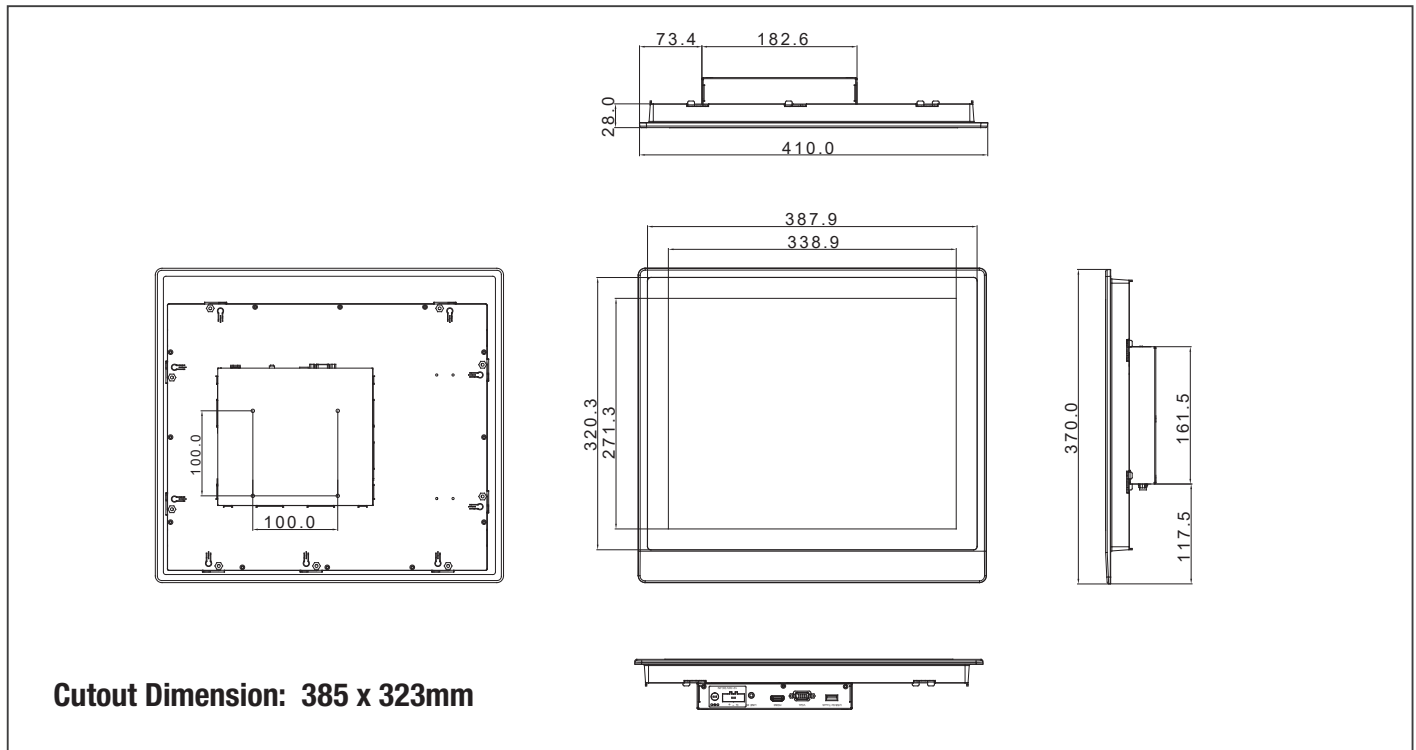
- 17" XGA (1280 x 1024) TFT LCD Display
- Provide Projective Capacitive Touch or Resistive Touch Screen
- IP65 Aluminum Front Bezel
- DC 12~30V with Over Voltage/Current, Under Voltage Protection
- Optional Built-in Speakers



Specifications

System	
Input Signal	VGA / HDMI
On Screen Display Control	5 keys OSD keypad (Up, Down, Menu, Auto, Power)
I/O Port	DB9 VGA x 1 HDMI x 1 USB x 1 (For Enable T/S Function) Line in x 1 (For optional internal Speaker) Power Input x 1(Terminal Block 3pin)
Os Support	Windows® 7 32/64 bit, Windows® 8 32/64 bit, Windows® 10 64 bit, Linux Ubuntu 16.04
Mechanical	
Construction	IP65 aluminum front bezel & SGCC chassis
Mounting	Panel Mount / VESA 100x100 / Stand
Dimension	16.1" x 14.6" x 2.3" (410mm x 370mm x 59.1mm)
Carton Dimension	20.6" x 19.3" x 10.3" (522mm x 490mm x 262mm)
Gross Weight	14.8 lbs (6.7 kg)
Net Weight	11.7 lbs (5.3 kg)
Environmental	
Operating Temperature	14°F ~ 131°F (-10°C ~ 55°C) With 0.5m/s Airflow
Storage Temperature	-4°F ~ 140°F (-20°C ~ 60°C)
Storage Humidity	10%~90% @104°F (40°C); non-condensing
Vibration	1 Grms / 5~500Hz/random Operation
Shock	—
EMC	CE/FCC, Class A
Power Supply	
Dc Input	DC 12~30V Power Input with 3 Pin Terminal Block
LCD	
Display Type	17" TFT-LCD
Max. Resolution	1280 x 1024
Max. Colors	16.2M
Luminance	350 cd/m ²
Viewing Angle	170°(H), 160°(V)
Back Light	LED
Back Light MTBF (Hours)	50,000
Touchscreen	
Type	Projective Capacitive Multi Touch or 5 Wire Resistive Touch Screen (By Model)
Light Transmission	P-CAP (90% ± 3%), 5-wire Resistive (80% ± 3%)
Life Time	—

Dimension Unit: mm



Ordering Information

Part Number	Display Type	Max. Resolution	Luminance	View Angle	Backlight MTBF (Hours)	Display	Mounting	Power	Temp.	Touch	Others
OMNI-317MHTT-A1-1010	17" TFT-LCD	1280 x 1024	350 cd/m ²	170(H), 160(V)	50,000	VGA x 1 HDMI x 1	Panel mount VESA 100	DC 12V~30V	14°F ~ 131°F (-10°C ~ 55°C) (with 0.5 m/s airflow)	Flat 5 Wire Resistive	—
OMNI-317MHTT-A2-1010	17" TFT-LCD	1280 x 1024	350 cd/m ²	170(H), 160(V)	50,000	VGA x 1 HDMI x 1	Panel mount VESA 100	DC 12V~30V	14°F ~ 131°F (-10°C ~ 55°C) (with 0.5 m/s airflow)	Projected Capacitive	—

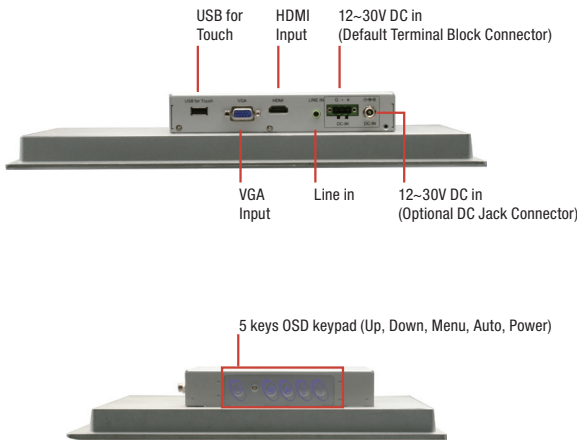
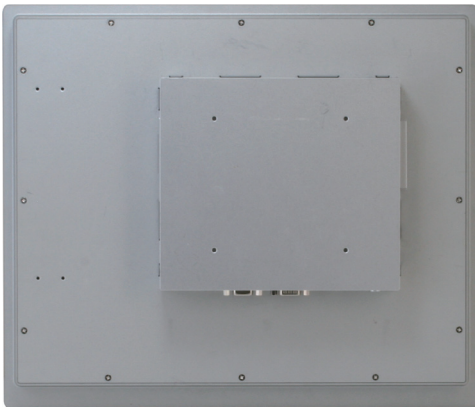
Packing List

- OMNI-317M x 1
- VGA Cable x 1
- USB Cable for Touch x 1
- Touch Driver CD x 1
- Phoenix Power Connector

Optional Accessories

- **1255300402**
(TF) Adapter, AC/DC, input AC, 90~264, output DC, 12V, 3.3A, 40W, 3p phoenix, FSP, FSP040-RHAN2/9NA0404929
- **1702031802**
Power Cord (US Type)
- **1702031803**
Power Cord (European Type)
- **170203180E**
Power Cord (Japanese Type)
- **AP-0T9789LA1000**
LCD Monitor Stand 230mm, LA-100

15" Touch Display Monitor, DC 12~30V



Features

- 15" XGA (1024 x 768) TFT LCD Display
- Provide Projective Capacitive Touch or Resistive Touch Screen
- IP65 Aluminum Front Bezel
- DC 12~30V with Over Voltage/Current, Under Voltage Protection
- Optional Built-in Speakers

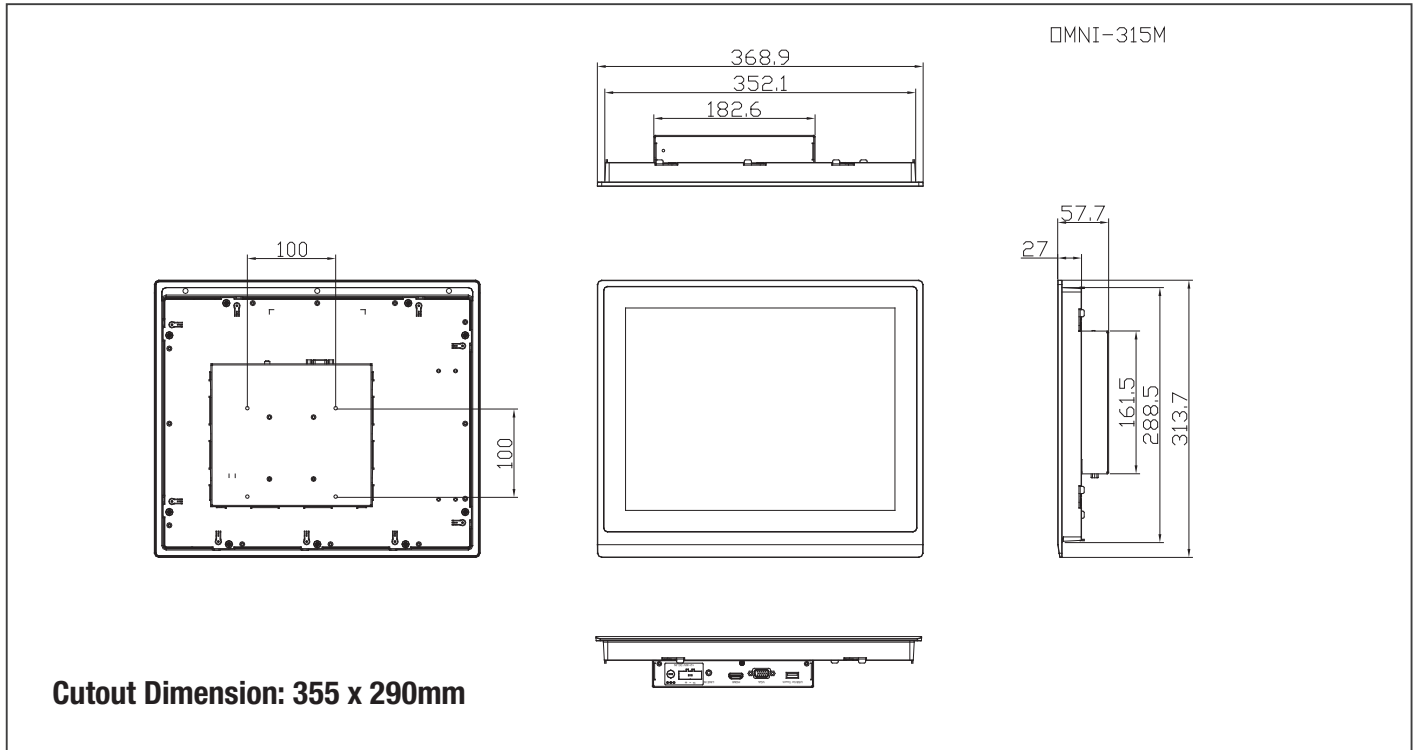


Specifications

System	
Input Signal	VGA / HDMI
On Screen Display Control	5 keys OSD keypad (Up, Down, Menu, Auto, Power)
I/O Port	DB9 VGA x 1 HDMI x 1 USB x 1 (For Enable T/S Function) Line in x 1 (For optional internal Speaker) Power Input x 1(Terminal Block 3pin)
Os Support	Windows® 7 32/64 bit, Windows® 8 32/64 bit, Windows® 10 64 bit, Linux Ubuntu 16.04
Mechanical	
Construction	IP65 aluminum front bezel & SGCC chassis
Mounting	Panel Mount / VESA 100x100 / Stand
Dimension	14.5" x 12.4" x 2.3" (369mm x 314mm x 58mm)
Carton Dimension	20.1" x 18.1" x 9.8" (510mm x 460mm x 250mm)
Gross Weight	14 lbs (6.35 kg)
Net Weight	11.2 lbs (5.1 kg)
Environmental	
Operating Temperature	14°F ~ 131°F (-10°C ~ 55°C) With 0.5m/s Airflow
Storage Temperature	-4°F ~ 140°F (-20°C ~ 60°C)
Storage Humidity	10%~90% @104°F (40°C); non-condensing
Vibration	1 Grms / 5~500Hz/random Operation
Shock	—
EMC	CE/FCC, Class A
Power Supply	
Dc Input	DC 12~30V Power Input with 3 Pin Terminal Block
LCD	
Display Type	15" TFT-LCD
Max. Resolution	1024 x 768
Max. Colors	16.2M/262K
Luminance	450 cd/m ²
Viewing Angle	160°(H), 140°(V)
Back Light	LED
Back Light MTBF (Hours)	70,000
Touchscreen	
Type	Projective Capacitive Multi Touch or 5 Wire Resistive Touch Screen (By Model)
Light Transmission	P-CAP (90% ± 3%), 5-wire Resistive (80% ± 3%)
Life Time	—

Dimension

Unit: mm



Ordering Information

Part Number	Display Type	Max. Resolution	Luminance	View Angle	Backlight MTBF (Hours)	Display	Mounting	Power	Temp.	Touch	Others
OMNI-315MHTT-A1-1010	15" TFT-LCD	1024 x 768	450 cd/m ²	160(H), 140(V)	100,000	VGA x 1 HDMI x 1	Panel mount VESA 100	DC 12V~30V	14°F ~ 131°F (-10°C ~ 55°C) (with 0.5 m/s airflow)	Flat 5 Wire Resistive	—
OMNI-315MHTT-A2-1010	15" TFT-LCD	1024 x 768	450 cd/m ²	160(H), 140(V)	100,000	VGA x 1 HDMI x 1	Panel mount VESA 100	DC 12V~30V	14°F ~ 131°F (-10°C ~ 55°C) (with 0.5 m/s airflow)	Projected Capacitive	—

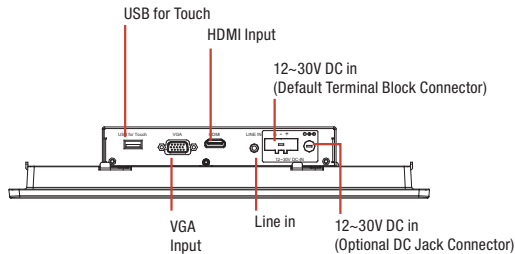
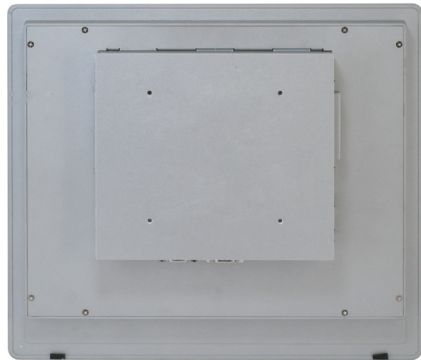
Packing List

- OMNI-315M x 1
- VGA Cable x 1
- USB Cable for Touch x 1
- Touch Driver CD x 1
- Phoenix Power Connector

Optional Accessories

- **1255300402**
(TF) Adapter, AC/DC, input AC, 90~264, output DC, 12V, 3.3A, 40W, 3p phoenix, FSP, FSP040-RHAN2/9NA0404929
- **1702031802**
Power Cord (US Type)
- **1702031803**
Power Cord (European Type)
- **170203180E**
Power Cord (Japanese Type)
- **AP-0T9789LA1000**
LCD Monitor Stand 230mm, LA-100

12.1" Touch Display Monitor, DC 12~30V



Features

- 12.1" XGA (1024 x 768) TFT LCD Display
- Provide Projective Capacitive Touch or Resistive Touch Screen
- IP65 Aluminum Front Bezel
- DC 12~30V with Over Voltage/Current, Under Voltage Protection
- Optional Built-in Speakers

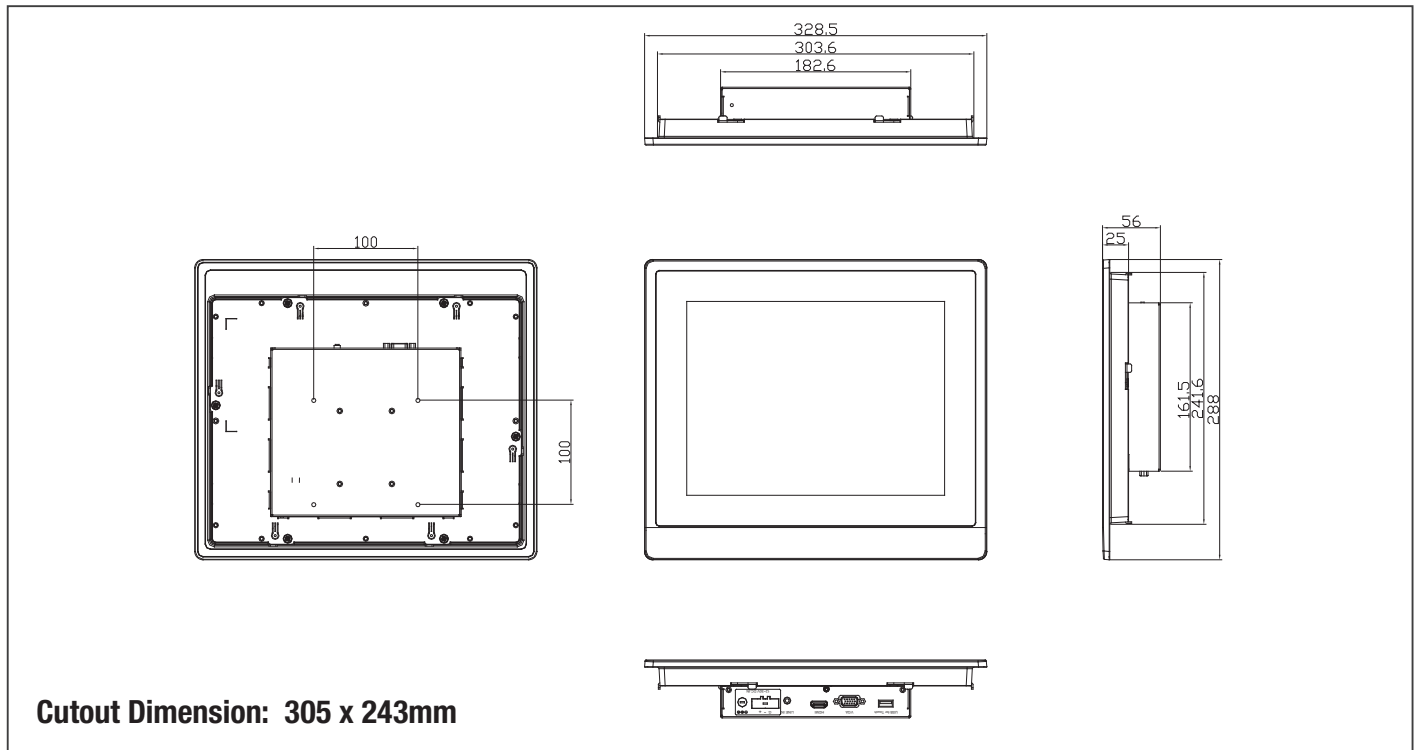


Specifications

System	
Input Signal	VGA / HDMI
On Screen Display Control	5 keys OSD keypad (Up, Down, Menu, Auto, Power)
I/O Port	DB9 VGA x 1 HDMI x 1 USB x 1 (For Enable T/S Function) Line in x 1 (For optional internal Speaker) Power Input x 1(Terminal Block 3pin)
Os Support	Windows® 7 32/64 bit, Windows® 8 32/64 bit, Windows® 10 64 bit, Linux Ubuntu 16.04
Mechanical	
Construction	IP65 aluminum front bezel & SGCC chassis
Mounting	Panel Mount / VESA 100x100 / Stand
Dimension	12.9" x 11.3" x 2.2" (328.5mm x 288.1mm x 55.9mm)
Carton Dimension	20.9" x 17.5" x 7.9" (530mm x 445mm x 200mm)
Gross Weight	10.4 lbs (4.7 kg)
Net Weight	7.7 lbs (3.5 kg)
Environmental	
Operating Temperature	14°F ~ 131°F (-10°C ~ 55°C) With 0.5m/s Airflow
Storage Temperature	-4°F ~ 140°F (-20°C ~ 60°C)
Storage Humidity	10%~90% @104°F (40°C); non-condensing
Vibration	1 Grms / 5~500Hz/random Operation
Shock	—
EMC	CE/FCC, Class A
Power Supply	
Dc Input	DC 12~30V Power Input with 3 Pin Terminal Block
LCD	
Display Type	12.1" TFT-LCD
Max. Resolution	1024 x 768
Max. Colors	16.2M
Luminance	500 cd/m ²
Viewing Angle	160°(H), 160°(V)
Back Light	LED
Back Light MTBF (Hours)	50,000
Touchscreen	
Type	Projective Capacitive Multi Touch or 5 Wire Resistive Touch Screen (By Model)
Light Transmission	P-CAP (90% ± 3%), 5-wire Resistive (80% ± 3%)
Life Time	—

Dimension

Unit: mm



Ordering Information

Part Number	Display Type	Max. Resolution	Luminance	View Angle	Backlight MTBF (Hours)	Display	Mounting	Power	Temp.	Touch	Others
OMNI-312MHTT-A1-1010	12.1" TFT-LCD	1024 x 768	500 cd/m ²	160(H), 160(V)	50,000	VGA x 1 HDMI x 1	Panel mount VESA 100	DC 12V~30V	14°F ~ 131°F (-10°C ~ 55°C) (with 0.5 m/s airflow)	Flat 5 Wire Resistive	—
OMNI-312MHTT-A2-1010	12.1" TFT-LCD	1024 x 768	500 cd/m ²	160(H), 160(V)	50,000	VGA x 1 HDMI x 1	Panel mount VESA 100	DC 12V~30V	14°F ~ 131°F (-10°C ~ 55°C) (with 0.5 m/s airflow)	Projected Capacitive	—

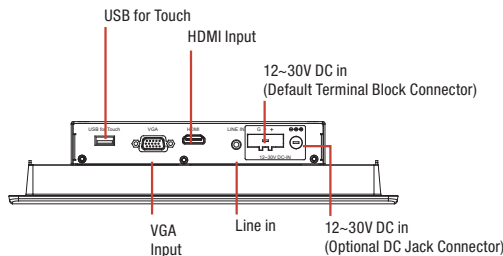
Packing List

- OMNI-312M x 1
- VGA Cable x 1
- USB Cable for Touch x 1
- Touch Driver CD x 1
- Phoenix Power Connector

Optional Accessories

- **1255300402**
(TF) Adapter, AC/DC, input AC, 90~264, output DC, 12V, 3.3A, 40W, 3p phoenix, FSP, FSP040-RHAN2/9NA0404929
- **1702031802**
Power Cord (US Type)
- **1702031803**
Power Cord (European Type)
- **170203180E**
Power Cord (Japanese Type)
- **AP-0T9789LA1000**
LCD Monitor Stand 230mm, LA-100

10.4" Touch Display Monitor, DC 12~30V



Features

- 10.4" SVGA (800 x 600) TFT LCD Display
- Provide Projective Capacitive Touch or Resistive Touch Screen
- IP65 Aluminum Front Bezel
- DC 12~30V with Over Voltage/Current, Under Voltage Protection
- Optional Built-in Speakers

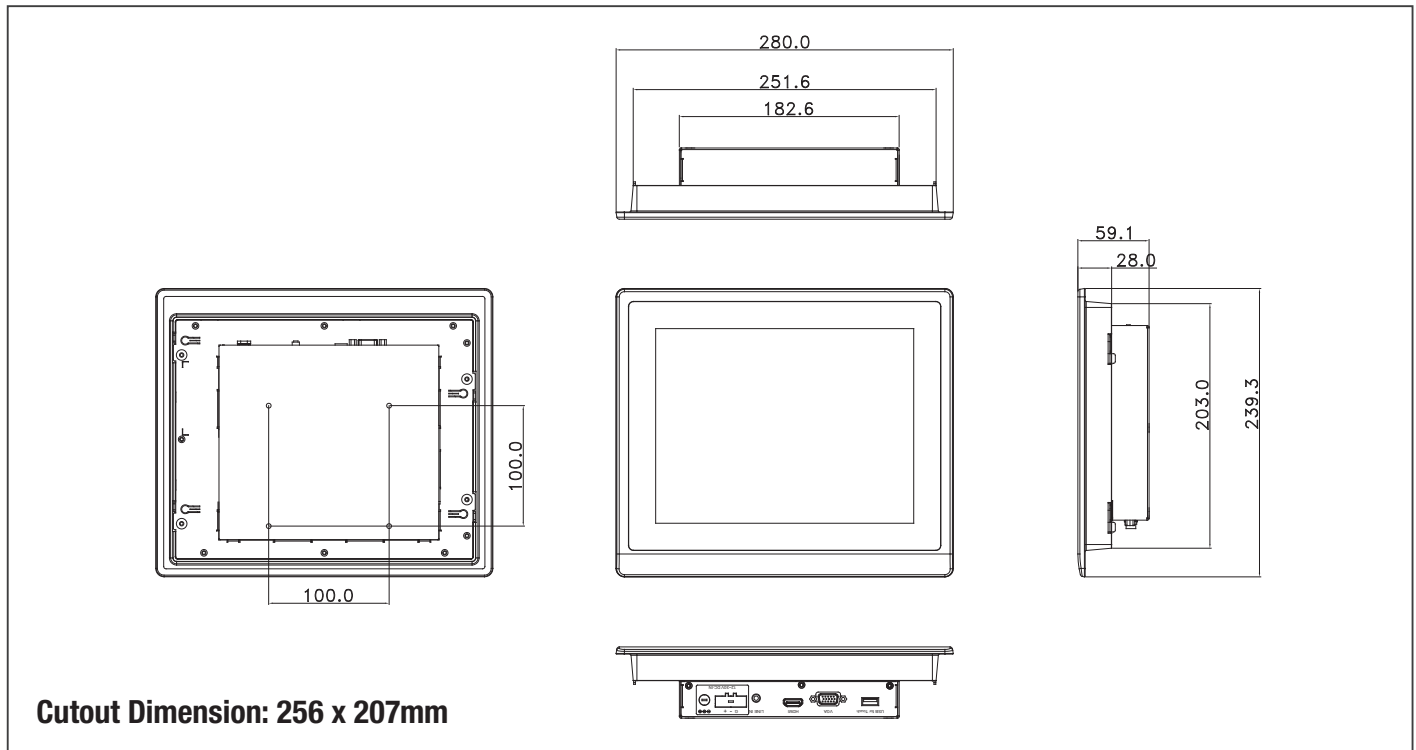


Specifications

System	
Input Signal	VGA / HDMI
On Screen Display Control	5 keys OSD keypad (Up, Down, Menu, Auto, Power)
I/O Port	DB9 VGA x 1 HDMI x 1 USB x 1 (For Enable T/S Function) Line in x 1 (For optional internal Speaker) Power Input x 1(Terminal Block 3pin)
Os Support	Windows® 7 32/64 bit, Windows® 8 32/64 bit, Windows® 10 64 bit, Linux Ubuntu 16.04
Mechanical	
Construction	IP65 aluminum front bezel & SGCC chassis
Mounting	Panel Mount / VESA 100x100 / Stand
Dimension	11.0" x 9.4" x 2.33" (280mm x 239.3mm x 59.1mm)
Carton Dimension	16.3" x 15.4" x 7.04" (415mm x 391mm x 179mm)
Gross Weight	7.9 lbs (3.6 kg)
Net Weight	1.1 lbs (2.4 kg)
Environmental	
Operating Temperature	14°F ~ 131°F (-10°C ~ 55°C) With 0.5m/s Airflow
Storage Temperature	-4°F ~ 140°F (-20°C ~ 60°C)
Storage Humidity	10%~90% @104°F (40°C); non-condensing
Vibration	1 Grms / 5~500Hz/random Operation
Shock	—
EMC	CE/FCC, Class A
Power Supply	
Dc Input	DC 12~30V Power Input with 3 Pin Terminal Block
LCD	
Display Type	10.4" TFT-LCD
Max. Resolution	800 x 600
Max. Colors	16.2M
Luminance	230 cd/m ²
Viewing Angle	160°(H), 130°(V)
Back Light	LED
Back Light MTBF (Hours)	30,000
Touchscreen	
Type	Projective Capacitive Multi Touch or 5 Wire Resistive Touch Screen (By Model)
Light Transmission	P-CAP (90% ± 3%), 5-wire Resistive (80% ± 3%)
Life Time	—

Dimension

Unit: mm



Ordering Information

Part Number	Display Type	Max. Resolution	Luminance	View Angle	Backlight MTBF (Hours)	Display	Mounting	Power	Temp.	Touch	Others
OMNI-310MHTT-A1-1010	10.4" TFT-LCD	800 x 600	230 cd/m ²	120(H), 100(V)	50,000	VGA x 1 HDMI x 1	Panel mount VESA 100	DC 12V~30V	14°F ~ 131°F (-10°C ~ 55°C) (with 0.5 m/s airflow)	Flat 5 Wire Resistive	—
OMNI-310MHTT-A2-1010	10.4" TFT-LCD	800 x 600	230 cd/m ²	120(H), 100(V)	50,000	VGA x 1 HDMI x 1	Panel mount VESA 100	DC 12V~30V	14°F ~ 131°F (-10°C ~ 55°C) (with 0.5 m/s airflow)	Projected Capacitive	—

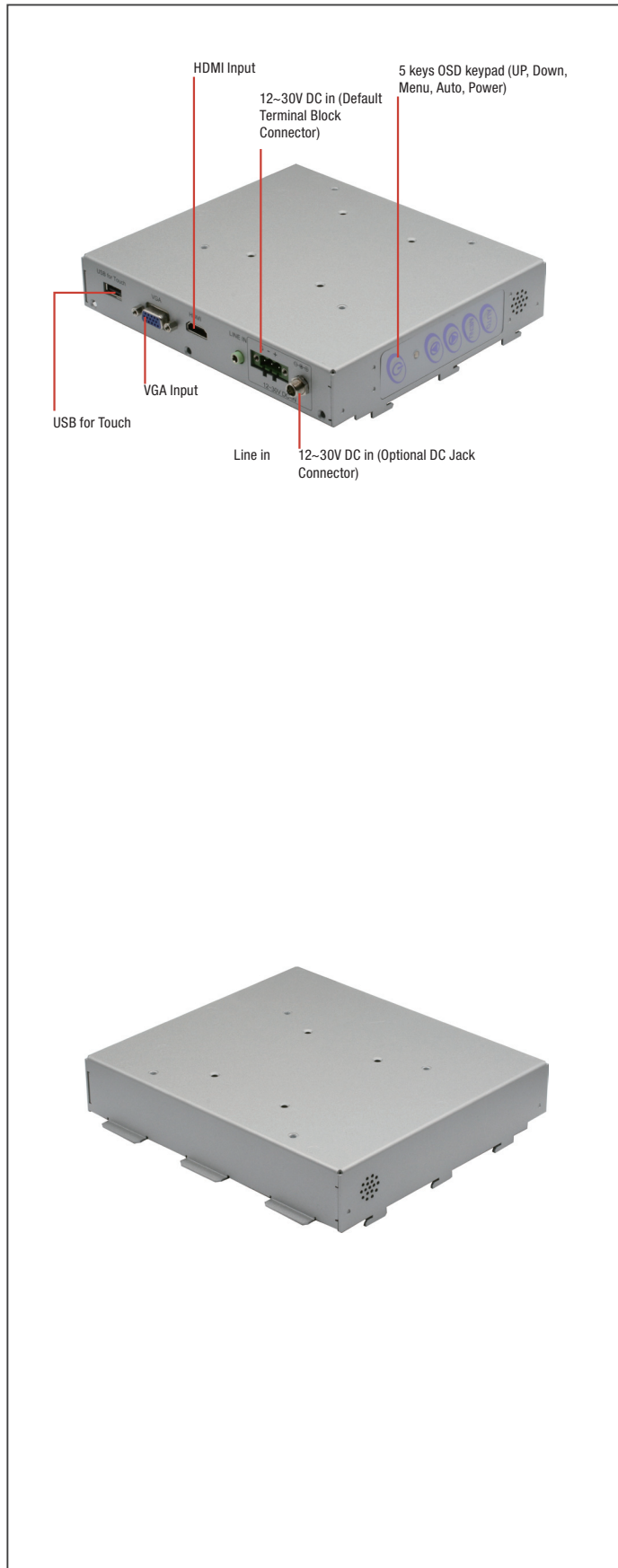
Packing List

- OMNI-310M x 1
- VGA Cable x 1
- USB Cable for Touch x 1
- Touch Driver CD x 1
- Phoenix Power Connector

Optional Accessories

- **1255300402**
(TF) Adapter, AC/DC, input AC, 90~264, output DC, 12V, 3.3A, 40W, 3p phoenix, FSP, FSP040-RHAN2/9NA0404929
- **1702031802**
Power Cord (US Type)
- **1702031803**
Power Cord (European Type)
- **170203180E**
Power Cord (Japanese Type)
- **AP-0T9789LA1000**
LCD Monitor Stand 230mm, LA-100

Display BOX Kit, DC 12~30V



Features

- **Compatible with OMNI Series Modules- Panels: to build your own OMNI Display**
- **No any Firmware changes needed to combine with 7 sizes OMNI Panel Modules**
- **DC 12~30V with Over Voltage/Current, Under Voltage Protection**
- **Optional Built-in Speakers**

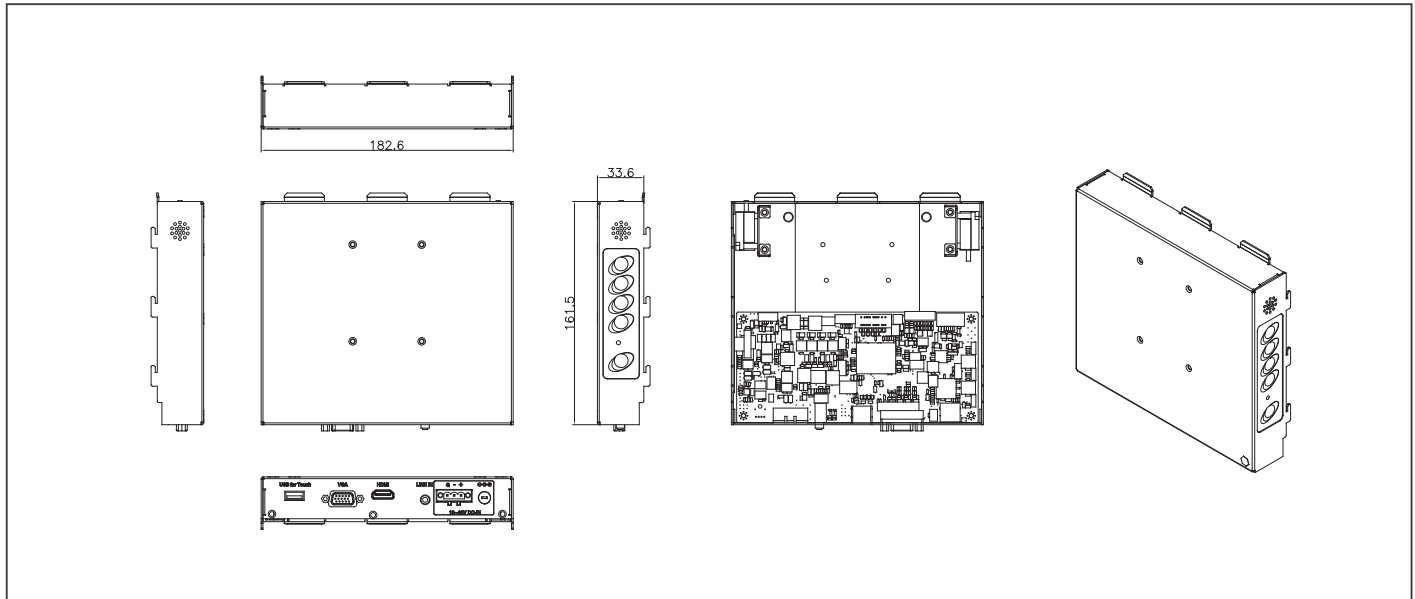


Specifications

System	
Input Signal	VGA / HDMI
On Screen Display Control	5 keys OSD keypad (Up, Down, Menu, Auto, Power)
I/O Port	DB9 VGA x 1 HDMI x 1 USB x 1 (For Enable T/S Function) Line in x 1 (For optional internal Speaker) Power Input x 1(Default Terminal Block 3pin)
OS Support	Windows® 7 32/64 bit, Windows® 8 32/64 bit, Windows® 10 64 bit, Linux Ubuntu 16.04
Mechanical	
Construction	Metal chassis
Mounting	Must be assembled with "OMNI-Series Modules-Panels"
Dimension	5.1" x 6.4" x 1.2" (128.6mm x 161.5mm x 30.7mm)
Carton Dimension	12.3" x 10.1" x 7.6" (312mm x 257mm x 194mm)
Gross Weight	5.5 lbs (2.5 kg)
Net Weight	2.6 lbs (1.2 kg)
Environmental	
Operating Temperature	14°F ~ 131°F (-10°C ~ 55°C) With 0.5m/s Airflow
Storage Temperature	-4°F ~ 140°F (-20°C ~ 60°C)
Storage Humidity	10%~90% @104°F (40°C); non-condensing
Vibration	1 Grms / 5~500Hz/random Operation
Shock	—
EMC	CE/FCC, Class A
Power Supply	
DC Input	DC 12~30V Power Input with 3 Pin Terminal Block
LCD	
Display Type	Depends on your OMNI Panel Modules
MAX. Resolution	—
MAX. Colors	—
Luminance	—
Viewing Angle	—
Back Light	—
Back Light Mtbf (Hours)	—
Touchscreen	
Type	Depends on your OMNI Panel Modules
Light Transmission	—
Life Time	—

Dimension

Unit: mm



Ordering Information

Part Number	Display Type	Max. Resolution	Luminance	View Angle	Backlight MTBF (Hours)	Display	Mounting	Power	Temp.	Touch	Other
OMNI-ADB-KIT-A1-1010	—	—	—	—	—	VGA x 1 HDMI x 1	Mount with OMNI Panel Modules	DC 12V~30V	14°F ~ 131°F (-10°C ~ 55°C) (with 0.5 m/s airflow)	—	—

Packing List

- OMNI Display BOX Kit x 1
- VGA Cable x 1
- USB Cable for Touch x 1
- Touch Driver CD x 1
- Phoenix Power Connector

Optional Accessories

- **1255300402**
(TF) Adapter, AC/DC, input AC, 90~264, output DC, 12V, 3.3A, 40W, 3p phoenix, FSP, FSP040-RHAN2/9NA0404929
- **1702031802**
Power Cord (US Type)
- **1702031803**
Power Cord (European Type)
- **170203180E**
Power Cord (Japanese Type)