

## Standalone NVR System with Onboard Intel® Atom™ D2550 Processor

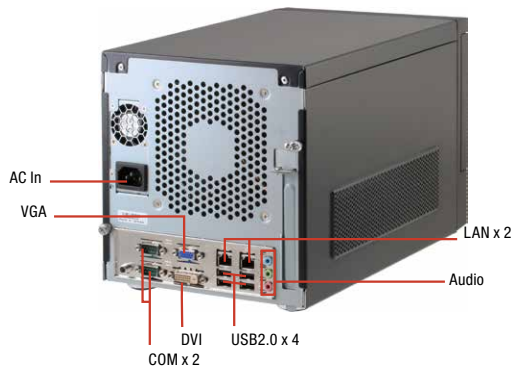
Front View



Front Open View

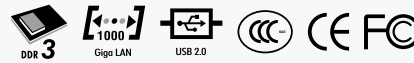


Rear View



## Features

- Integrated Intel® Atom™ Processor D2550 Dual Core 1.83 GHz
- Intel® ICH10R
- Single Channel with 204-pin DDR3 1066/800 MHz DIMM x 2, up to 4 GB, Non-ECC, Un-buffered Memory
- 10/100/1000Base-TX Ethernet Port x 2
- 3.5" or 2.5" SATA HDD Hot Swappable Tray x 4
- COM x 2, USB2.0 x 6

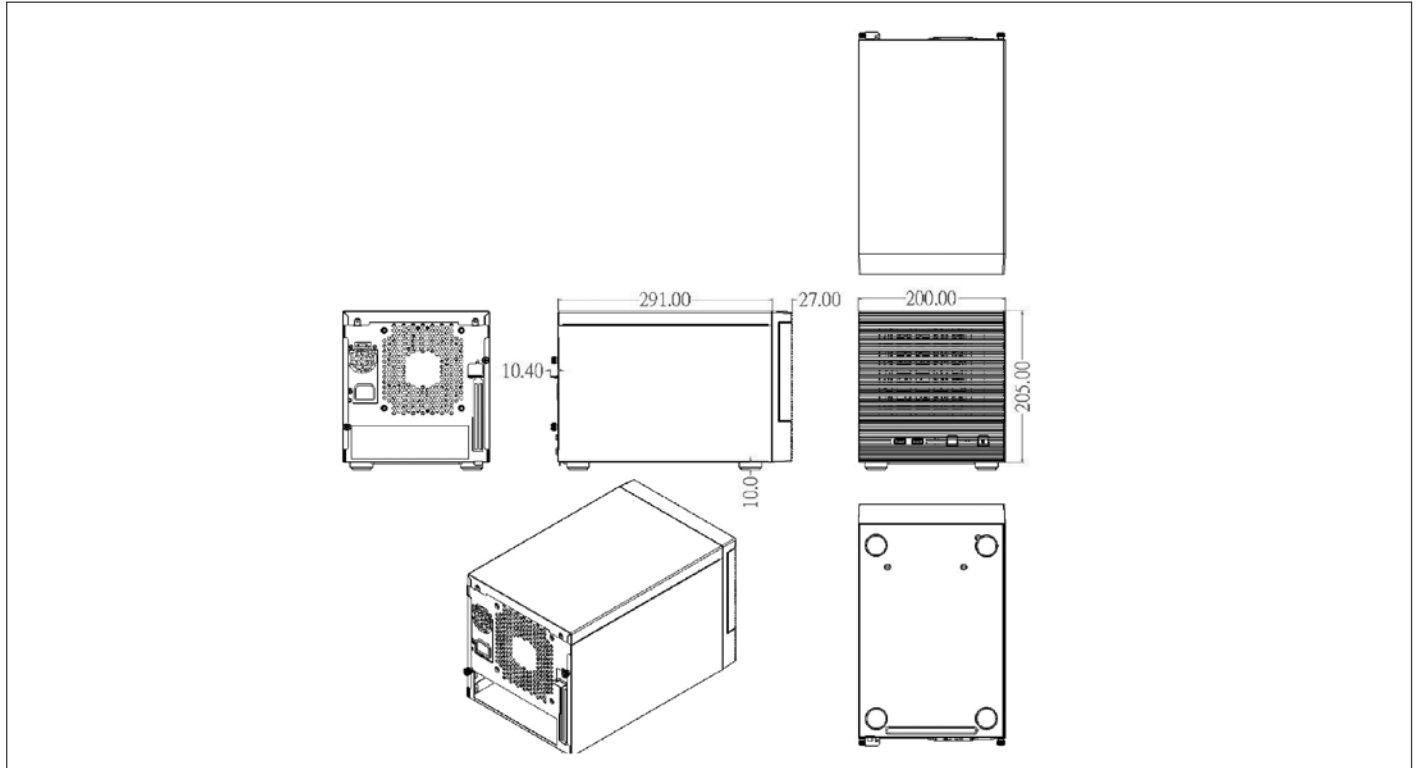


## Specifications

| System                  |  |
|-------------------------|--|
| Form Factor             | Tower Station  |
| Processor               | Intel® Atom™ D2250   |
| Chipset                 | Intel® ICH10R  |
| Main Memory             | Up to 4GB, DDR3, Non-ECC, 1066MHz 204-pin SODIMM   |
| Display                 | DVI-D x 1, VGA x 1   |
| Ethernet                | 10/100/1000Base-TX x 2   |
| PoE Ethernet Port       | —  |
| RAID support            | 0/1/5  |
| Expansion Slot          | PCI-E [x4] x 1   |
| GPS                     | Upto   |
| Front I/O Panel         | Power Button x 1<br>Reset Button x 1<br>Power & HDD LED<br>USB2.0 x 2                            |
| Rear I/O Panel          | VGA x 1<br>DVI-D x 1<br>LAN (RJ-45) port x 2<br>USB 2.0 x 4<br>COM console x 2<br>Audio jack x 3 |
| Environmental           |  |
| Operating Temperature   | 32°F ~ 104°F (0°C ~ 40°C)  |
| Storage Temperature     | -4°F ~ 140°F (-20°C ~ 60°C)  |
| Storage Humidity        | 10%~80% @40°C, non-condensing  |
| Vibration/Shock         | IEC68-2-64   |
| Certification           | CE/FCC Class A, CCC  |
| Power Requirement       |  |
| Power Supply            | 200W AC power input  |
| Mechanical              |  |
| Hot Swappable HDD Tray  | 3.5" or 2.5" x 4   |
| Internal System HDD Bay | 2.5" HDD x 1 (SATA DOM optional)   |
| Dimension               | 7.87" x 11.93" x 9.84" (200mm x 303mm x 250mm)   |
| Gross Weight            | 19.8 lb (9 kg)   |
| Note                    | —  |

## Dimension

Unit: mm



## Ordering Information

| Part Number | Chipset             | RAM            | Cooler | Storage                                    | RAID support | Display               | LAN     | PoE | USB        | RS-232 | RS-232/422/485 | Expansion Slot | Form Factor | Power         |
|-------------|---------------------|----------------|--------|--|--------------|-----------------------|---------|-----|------------|--------|----------------|----------------|-------------|---------------|
| NVR-CV-A10  | Intel® D2550+ICH10R | 204-pin SODIMM | Fan    | 3.5" or 2.5" SATA HDD<br>Hot Swappable x 4 | 0/1/5        | VGA x 1,<br>DVI-D x 1 | GbE x 6 | —   | UBS2.0 x 6 | 2      | —              | PCI-e [x4] x 1 | Desktop     | 200W AC power |

## Packing List

- HDD Tray Lock Key
- NVR-CV

## Optional Accessories

- **1702031802**  
(TF) Power Cord, 3P-125V 10A 180D, 1.8M, USA & Taiwan
- **1702031803**  
(TF) Power Cord, 3P-250V 10A 180D, 1.8M, Europe
- **170203180B**  
(TF) Power Cord, 3P(M), 3P(F), 1.8m, 250V, 10A, CHINA
- **9783320003**  
(TF) 3.5" HDD, 320 GB, SATA-3, 7200RPM, WD, WD3200AAKX
- **14D6C04G01**  
(TF) 4 GB, DDR3, Non-ECC, CL7 SODIMM, 1066 MHz, DSL
- **968C004G05**  
(TF) SATA DOM, 4 GB, 7 Pin, MXSSD2MJTD4G-V