

# MAXER-5000 PRELIMINARY

AI Inference Server Powered by NVIDIA® Jetson Thor™

Front View



Rear View



## Features

- NVIDIA® Jetson T5000™
- QSFP28 x 1 for 25GbE x 4
- 5GbE LAN x 1
- USB 3.2 Gen 2 x 2, USB 2.0 x 2
- M.2 expansion for 5G, Wi-Fi, and NVMe SSD



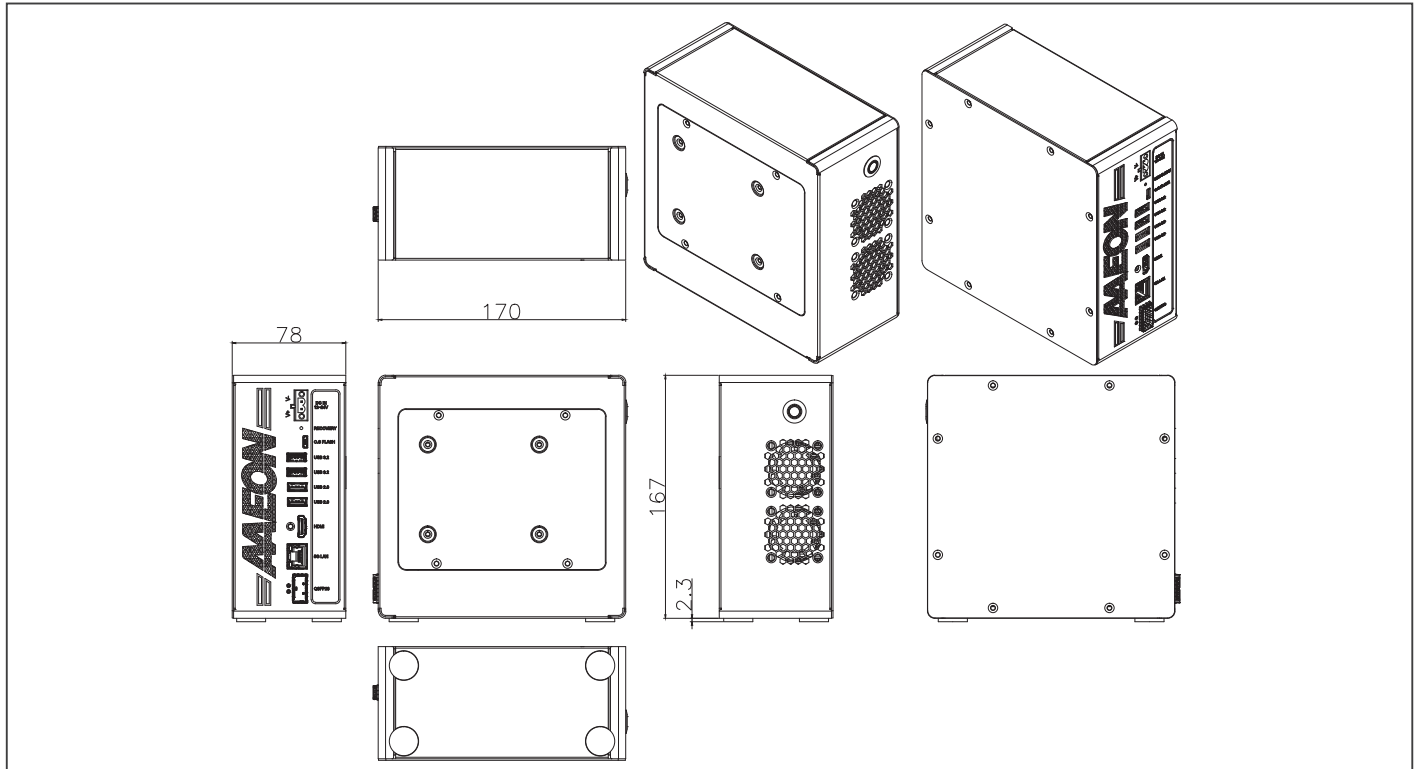
## Specifications

System	
CPU	14-core Arm® Neoverse®-V3AE 64-bit
GPU	NVIDIA® Blackwell architecture GPU with 2560 CUDA® cores and 5th Gen Tensor Cores
Chipset	NVIDIA® Jetson T5000™ AI Accelerator SoC
System Memory	128GB 256-bit LPDDR5X
Display Interface	HDMI x 1 for HDMI 2.0
Storage Device	M.2 2280 M-Key x 1 for NVMe
Ethernet	QSFP28 x 1 for 25GbE x 4 RJ-45 x 1 for 5GbE
USB	USB 3.2 Gen 2 (Type-A) x 2 USB 2.0 x 2 Micro USB x 1 for OS Flash
Serial Port	—
Audio	—
Expansion	M.2 2280 M-Key x 1 for NVMe M.2 3052 B-Key x 1 for 4G/LTE M.2 2230 E-Key x 1 for WiFi 7 NANO SIM slot x 1
TPM	—
Indicator	Power LED x 1 System LED x 1
OS support	NVIDIA JetPack™ 7.0 and above
Drive Bay	—
Front Control	Recovery Button x 1 Reset Button x 1 Power Button x 1
Power Supply	
Power Requirement	2 Pin Phoenix Type x 1 for DC 12V~24V DC in
Mechanical	
Mounting	Desktop stand
Dimensions (W x H x D)	6.69" x 6.57" x 3.07" (170mm x 167mm x 78mm)
Gross Weight	TBD
Net Weight	TBD
Environmental	
Operating Temperature	0°C ~ 40°C
Storage Temperature	TBD
Storage Humidity	TBD
Certification	CE/FCC class A



## Dimension

Unit: mm



## Ordering Information

- TBD

## Optional Accessories

- **170X000799**  
Power Cord (US type)
- **170X000800**  
Power Cord (European Type)
- **170X000803**  
Power Cord (Japanese Type)

## Packing List

- MAXER-5000