

Front View



Rear View



Board



Features

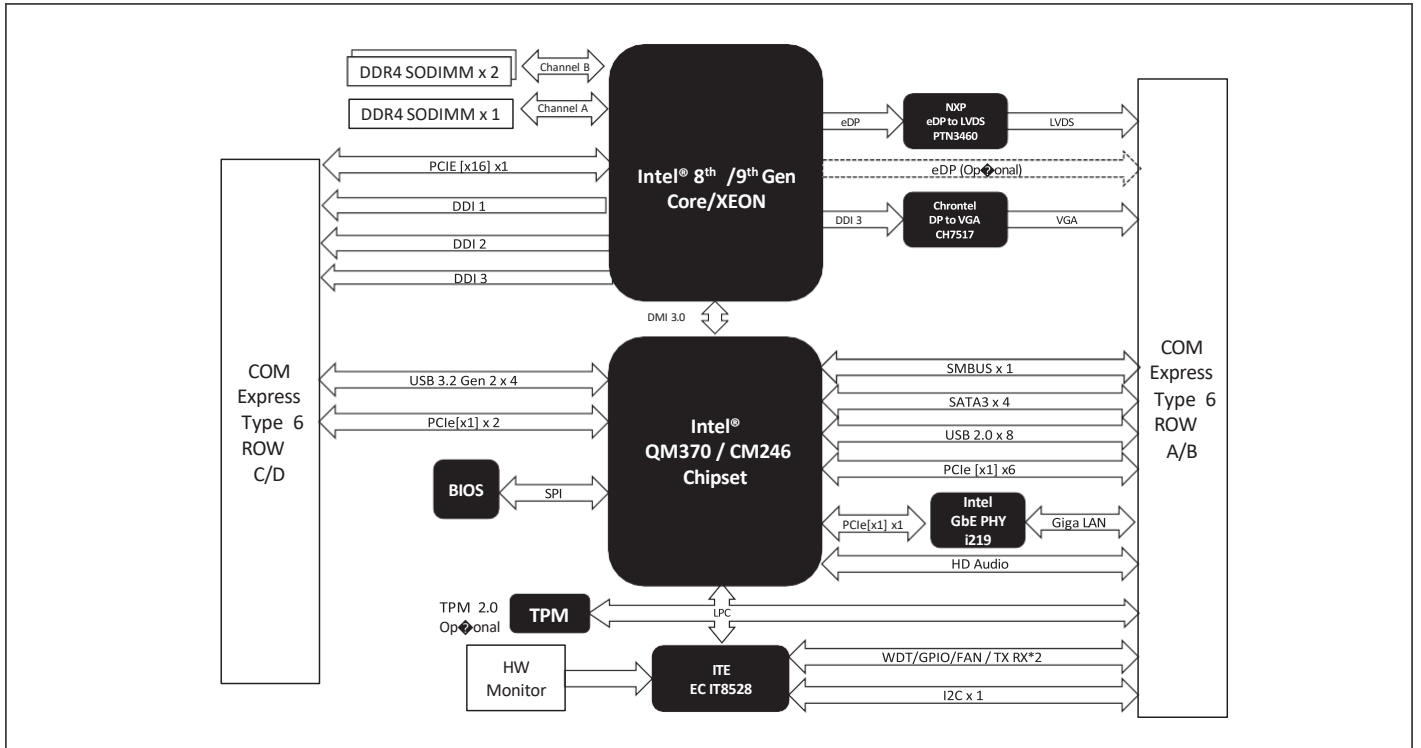
- Intel 8th Gen Core i7-9850HE
- 3x SODIMM DDR4 2666 Memory up to 96GB, ECC support (by SKU, with CM246 PCH)
- Intel i219LM Gigabit Ethernet x 1
- HDMI x 3
- High Definition Audio Interface
- USB3.2 5Gbps x 10
- COM Express Basic Size, Pin-Out Type 6, 125mmx95mm
- Support Intel iAMT
- DC input 19V



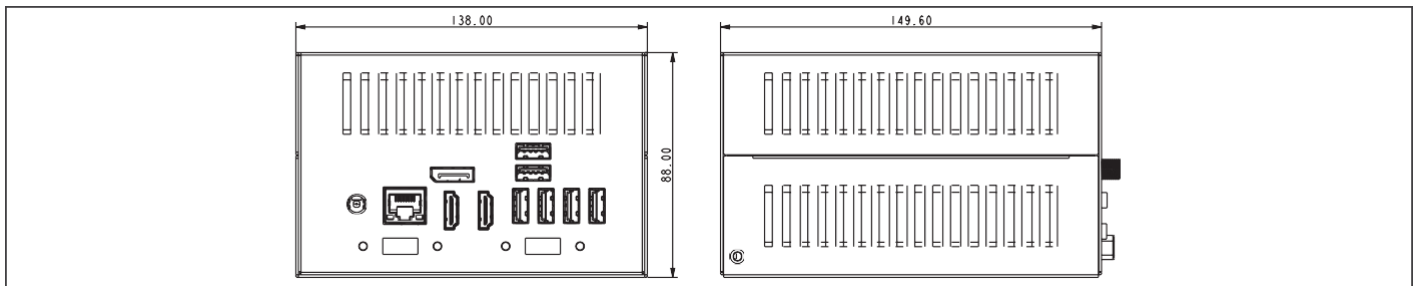
Specifications

System	
Form Factor	COM Express Basic size, Type 6
CPU	Intel 8th Gen Core i7-9850HE
Chipset	Intel® QM370/CM246 PCH
Memory Type	DDR4, SO-DIMM x 3
Max. Memory Capacity	96GB, ECC Support (only with CM246 PCH)
BIOS	AMI UEFI
Wake on LAN	Yes
Watchdog Timer	255 Levels
Power Supply Type	ATX
Dimension (L x W)	4.92" x 3.75" (125mm x 95mm)
Operating Temperature	32°F ~ 140°F (0°C ~ 60°C)
Storage Temperature	-40°F ~ 185°F (-40°C ~ 85°C)
Operating Humidity	0% ~ 90% relative humidity, non-condensing
Certification	CE/FCC Class A
Display	
Graphic Controller	Intel® GT2-P630 (Xeon series)/ GT2-630 (Core I series)
Video Output	HDMI 1.4b x 2, 1920 x 1080
I/O	
Ethernet	Intel® i219 GbE x 1
Audio	High Definition Audio Interface
USB Port	USB3.2 5Gbps x 10
Serial Port	—
HDD Interface	SATA 3 x 4
Expansion Slot	LPC SMBus I2C
GPIO	—
Onboard Storage	—
TPM	TPM2.0

Block Diagram Unit: mm



Dimension Unit: mm



Packing List

- COMBOX-CFHB6 x1

Optional Accessories

Part Number	Description	Qty.
968D4004GN	DDR4.4GB.DDR4 SODIMM.2666MT/s.512Mx8.SAMSUNG.K4A4G085WX.260P.INNODISK.M4S0-4GSSNIC-26	1
968D4008GW	DDR4.8GB.SODIMM.2666MT/s.260Pin.512Mx8 Samsung K4A4G085WX.InnoDisk.M4S0-8GSSOCIK-26	1
1702031802	Power Card(US Type)	1
1702031803	Power Card(European Type)	1
170203180E	Power Card(Japan Type)	1
170X000324	COM port cable	2

Ordering Information

PART NUMBER	COM EXPRESS TYPE	CPU	MEMORY	DISPLAY	LVDS	STORAGE	LAN	USB	UART	EXPANSION	POWER	TEMPERATURE	OTHER
COMBOX-CFHB6-A10-0001	Type 6 (COM.0 Rev. 3.0)	i7-9850HE	DDR4 SODIMM x 3	VGA, DDI x 2 (up to 3)	18/24b 2ch LVDS/eDP	SATA3 x 4	GbE x 1	USB3.2 5Gbps x 10	—	PCIe [x1] x 8 PCIe[x16] x 1	+19V	0°C ~ 50°C	LPC, SMBus, I2C