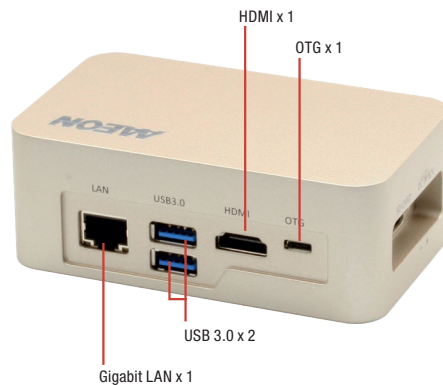
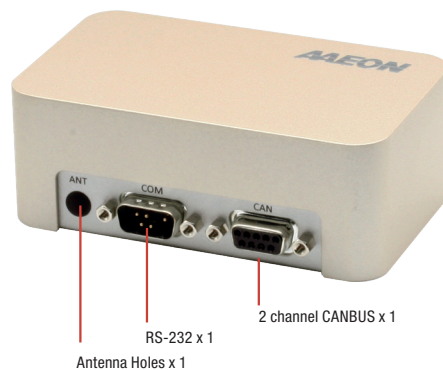


## AI@Edge Fanless Embedded Box PC with NVIDIA Jetson TX2

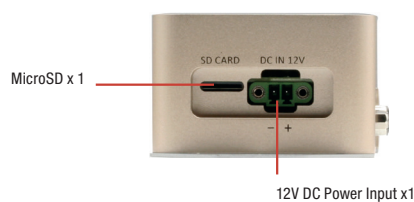
Front View



Rear View



Rear View



## Features

- NVIDIA Jetson TX2
- Support Linux Ubuntu 16.04
- 8GB LPDDR4, 32GB eMMC 5.1
- HMP Dual Denver 2 + Quad ARM A57
- HDMI 2.0 x 1, USB3.0 x 2
- RS-232 x 1, CANBUS x 2 Channel
- OTG x 1
- LAN x 1
- MicroSD x 1

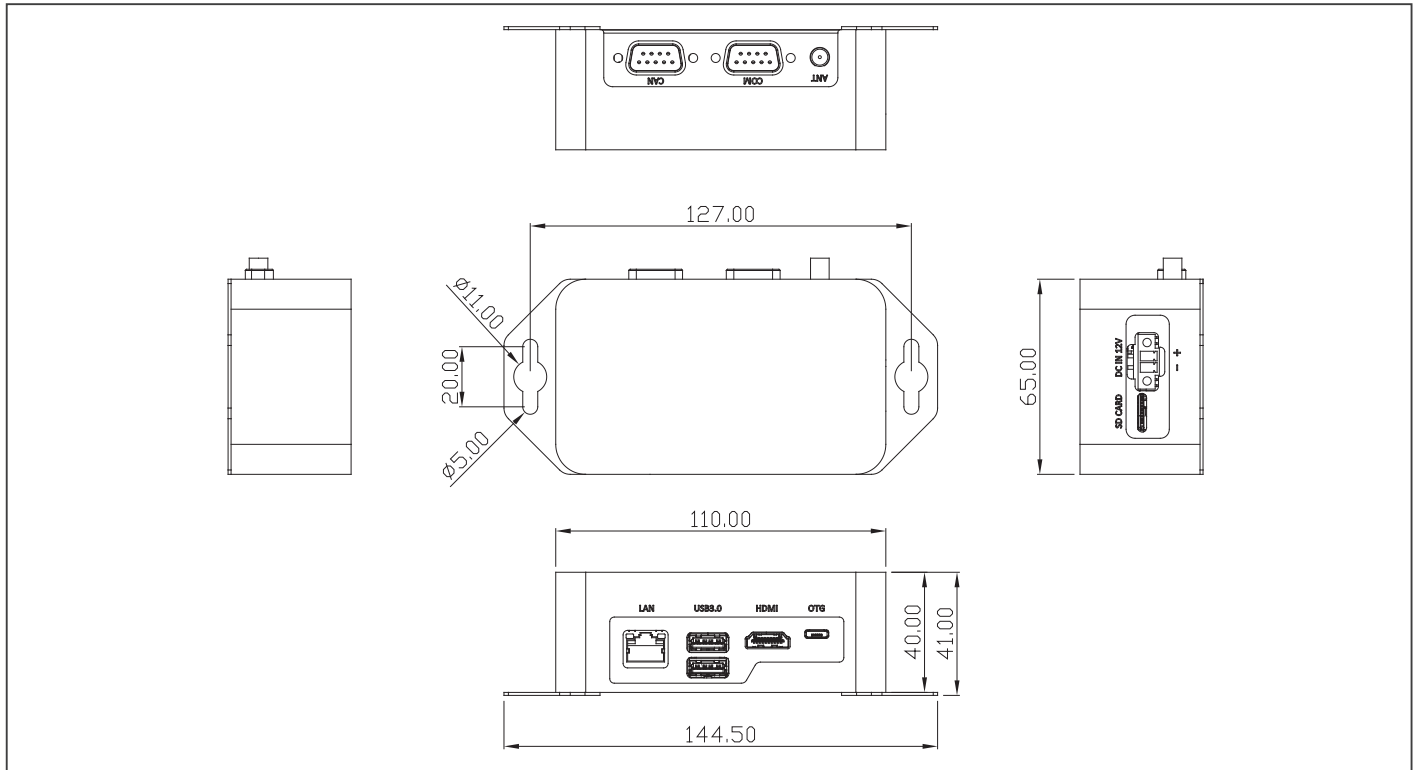


## Specifications

System	
CPU	HMP Dual Denver 2 + Quad ARM A57
Chipset	—
System Memory	8GB LPDDR4
AI Solution	Nvidia Jetson TX2
Display Interface	HDMI 2.0
Storage Device	32GB eMMC 5.1, MicroSD
Ethernet	10/100/1000Base-TX x 1
I/O	USB 3.0 x 2 HDMI x 1 LAN x 1 MicroSD x 1 OTG x 1 Antenna Hole x 1 DC Power Input x 1 2 channel CANBUS x 1 DB-9 RS-232 x 1
Expansion	—
Indicator	—
OS Support	Linux Ubuntu 16.04
Power Supply	
Power Requirement	12V with 2-pin terminal block
Mechanical	
Mounting	Wallmount
Dimensions (W x H x D)	110mm(W) x 40mm(H) x 65mm(D)
Gross Weight	2.20 lb (1 Kg)
Net Weight	1.10 lb (0.5 Kg)
Environmental	
Operating Temperature	Operating Temperature -4°F ~122°F (-20°C ~ 50°C, according to IEC60068-2 with 0.5 m/s AirFlow; with Industrial Device)
Storage Temperature	-49°F ~176°F (-45°C ~ 80°C)
Storage Humidity	95% @ 40°C, non-condensing
Anti-Vibration	3 Grms/ 5 ~ 500Hz/ operation – eMMC
Certification	CE/FCC class A

## Dimension

Unit: mm



## Ordering Information

Part Number	CPU	PCH	RAM	LAN	USB 3.0	USB 2.0	RS-232	CANBUS	Digital I/O	Audio	Storage	Display	Expansion	Mounting	Power	Operation temp.
BOXER-8110AI-A1-1010	HMP Dual Denver 2 + Quad ARM A57	—	8	1	2	—	1	1	—	—	32G eMMC	HDMI x 1	MicroSD x 1	Wallmount	12V	-20°C ~ 50°C

## Packing List

- Wallmount Bracket x 2
- BOXER-8110AI

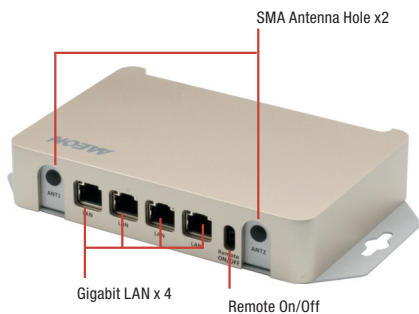
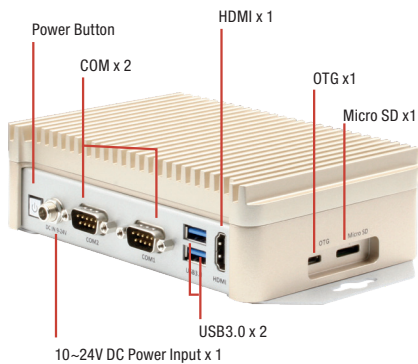
## Optional Accessories

- **1255300609**  
Power Adapter
- **1702031802**  
Power Cord (US Type)
- **1702031803**  
Power Cord (Europe)
- **170203180E**  
Power Cord (Japan)

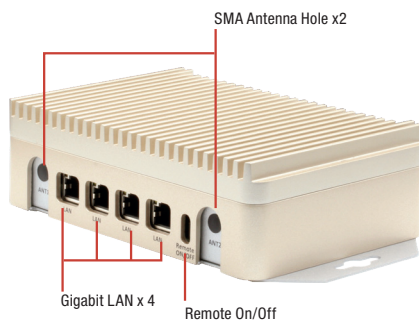
## AI@Edge Fanless Embedded Box PC with NVIDIA Jetson TX2, 4 GbE LAN Ports

BOXER-8120AI-A1-1010  
Front View

Rear View

BOXER-8120AI-A1-CS-N0001  
Front View

Rear View



## Features

- Nvidia Jetson TX2
- HMP Dual Denver 2 + Quad ARM A57
- Support Linux Ubuntu 16.04
- 8GB LPDDR4, 32GB eMMC 5.1
- RS-232 x 2, USB3.0 x 2, OTG x 1
- HDMI 2.0 x 1, LAN x 4 (Intel i211\*3, Native\*1)
- Micro-SD x 1, Remote On/Off
- Power input: 10~24V

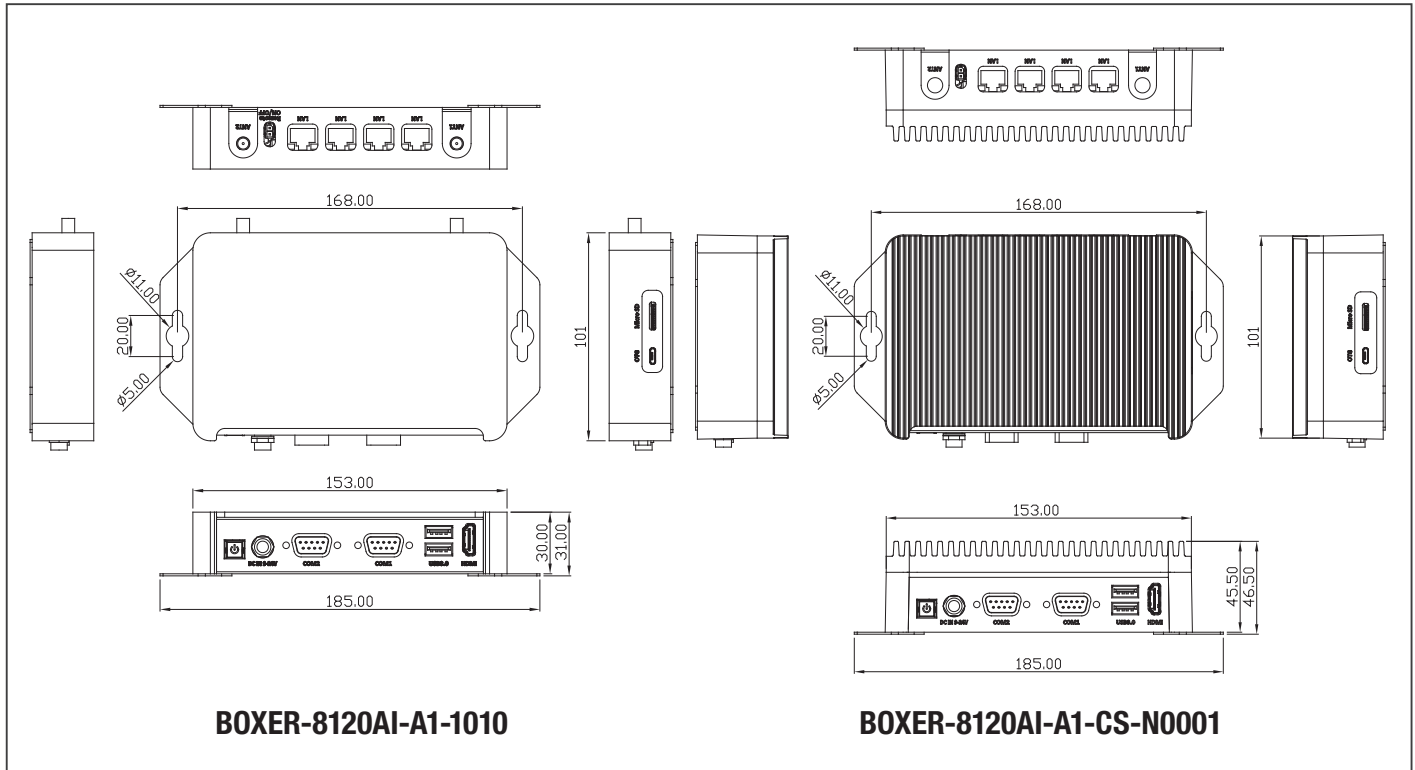


## Specifications

System	
CPU	HMP Dual Denver 2 + Quad ARM A57
Chipset	—
System Memory	8GB LPDDR4
AI Solution	Nvidia Jetson TX2
Display Interface	HDMI 2.0
Storage Device	32GB eMMC 5.1 MicroSD x1
Ethernet	10/100/1000Base-TX x 4
I/O	USB 3.0 x 2 HDMI x 1 LAN x 4 COM x 2 OTG x 1 Power Button x 1 SMA Antenna Holes x 2 10~24V DC-In Power input x1 Remote Power On/Off x 1
Expansion	MicroSD x1 SATA x1 (option) USB 2.0 x 3 (option)
Indicator	Power LED
OS Support	Linux Ubuntu 16.04
Power Supply	
Power Requirement	10~24V DC-In with DC Jack
Mechanical	
Mounting	Wallmount
Dimensions (W x H x D)	153mm(W) x 30mm(H) x 101mm(D) 153mm(W) x 45.5mm(H) x 101mm(D) for CS-N0001
Gross Weight	4.40 lb (2Kg) 5.51 lb (2.5Kg) for CS-N0001
Net Weight	2.20 lb (1Kg) 3.31 lb (1.5Kg) for CS-N0001
Environmental	
Operating Temperature	-4°F ~ 122°F (-20°C ~ 50°C, according to IEC682-14 with 0.5 m/s AirFlow; with industrial Devices)
Storage Temperature	-13°F ~ 176°F (-25°C ~ 80°C)
Storage Humidity	95% @ 40°C, non-condensing
Anti-Vibration	Random, 5 Grms/ 5 ~ 500Hz/ operation
Certification	CE/FCC class A

## Dimension

Unit: mm



**BOXER-8120AI-A1-1010**

**BOXER-8120AI-A1-CS-N0001**

## Ordering Information

Part Number	CPU	PCH	RAM	LAN	USB 3.0	USB 2.0	RS-232	RS-232/422/485	Digital I/O	Audio	Storage	Display	Expansion	Mounting	Power	Operation temp.
BOXER-8120AI-A1-1010	HMP Dual Denver 2 + Quad ARM A57	—	8	4	2	—	2	—	—	—	32G eMMC	HDMI x 1	MicroSD x1 SATA x1 (option) USB 2.0 x 3 (option)	Wallmount	10 ~ 24V	-20°C ~ 50°C
BOXER-8120AI-A1-CS-N0001	HMP Dual Denver 2 + Quad ARM A57	—	8	4	2	—	2	—	—	—	32G eMMC	HDMI x 1	MicroSD x1 SATA x1 (option) USB 2.0 x 3 (option)	Wallmount	10 ~ 24V	-20°C ~ 50°C

## Packing List

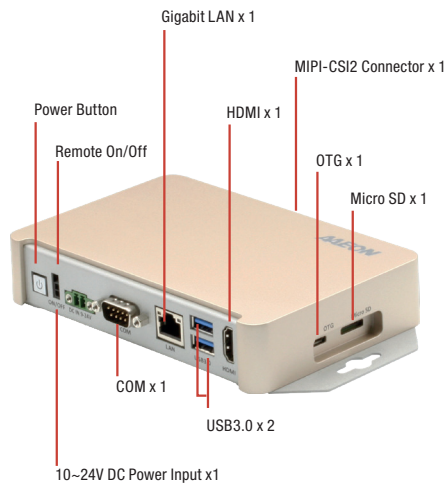
- Wallmount Bracket x 1
- Screw Package x 1
- Product DVD x 1
- BOXER-8120AI

## Optional Accessories

- **125530060A**  
Power Adapter
- **1702031802**  
Power Cord (US Type)
- **1702031803**  
Power Cord (Europe)
- **170203180E**  
Power Cord (Japan)

AI@Edge Fanless Embedded Box PC with ARM + Nvidia Jetson TX2 Platform and MIPI-CSI2 connector

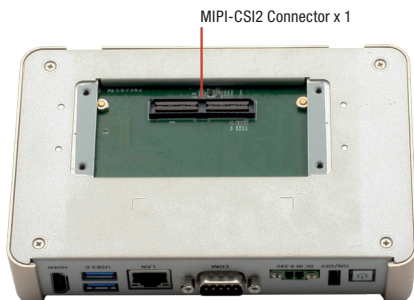
Front View



Rear View



Bottom View



## Features

- Nvidia TX2 Module
- HMP Dual Denver 2 + Quad ARM A57
- 8GB LPDDR4
- 32GB eMMC 5.1
- HDMI 2.0
- USB 3.0 x 2
- GbE LAN x 1
- RS-232 x1
- MIPI-CSI2 connector x1
- Compact Size chassis

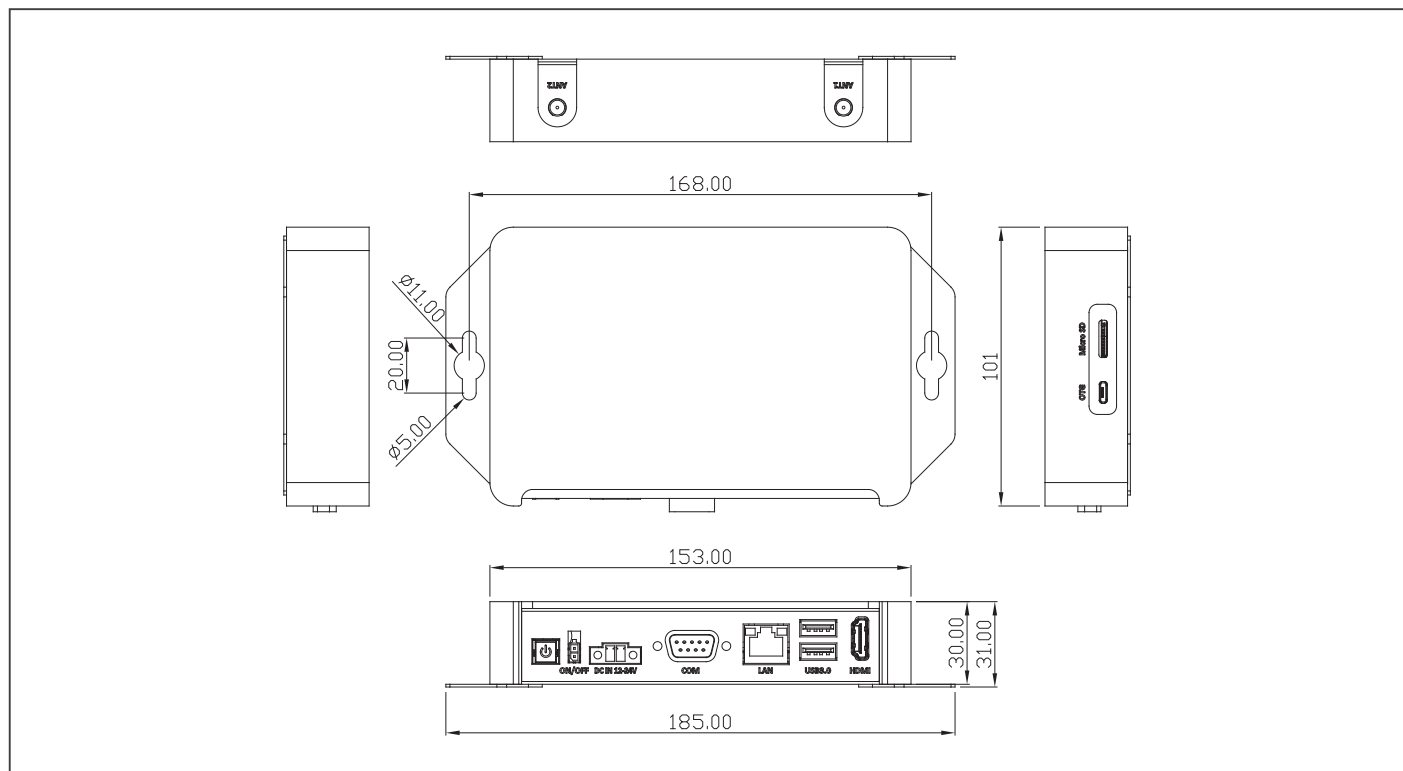


## Specifications

System	
CPU	HMP Dual Denver 2 + Quad ARM A57
Chipset	N/A
System Memory	8GB LPDDR4
AI Solution	Nvidia Jetson TX2
Display Interface	HDMI 2.0 x 1
Storage Device	32GB eMMC 5.1 MicroSD
Ethernet	10/100/1000 Base-TX x 1
I/O	USB Type A x 2 for USB 3.0 RJ-45 x 1 for GbE LAN Ethernet DB-9 x 1 for RS-232 Remote on/off switch x 1 Antenna Holes x 2 MicroSD x 1 OTG x 1
Expansion	SATA x1 (option) USB 2 x 3 (option) MIPI-CSI2 board to board connector x1 (The connector used on the carrier board is a Samtec QSH-060-01-H-D-A. The mating connector is a Samtec QTH-060-01-H-D-A.)
Indicator	Power LED
OS Support	Linux Ubuntu 16.04
Power Supply	
Power Requirement	10~24V with 2-pin terminal block
Mechanical	
Mounting	Wallmount
Dimensions (W x H x D)	153mm(W) x 30mm(H) x 101mm(D)
Gross Weight	4.40 lb (2 Kg)
Net Weight	2.20 lb (1 Kg)
Environmental	
Operating Temperature	-4°F ~ 122°F(-20°C ~ 50°C, with 0.5 m/s AirFlow)
Storage Temperature	-13°F ~176 °F (-25°C ~ 80°C)
Storage Humidity	95% @ 40°C, non-condensing
Anti-Vibration	Random, 5 Grm, 5~500Hz
Certification	CE/FCC class A

## Dimension

Unit: mm



## Ordering Information

Part Number	CPU	PCH	RAM	LAN	USB 3.0	USB 2.0	RS-232	RS-232/422/485	Digital I/O	Audio	Storage	Display	Expansion	Mounting	Power	Operation temp.
BOXER-8130AI-A1-1010	HMP Dual Denver 2 + Quad ARM A57	—	8	1	2	—	1	—	—	—	32G eMMC	HDMI x 1	MicroSD x1 SATA x1 (option) USB 2 x 3 (option) MIPI-CSI2 board to board connector x1	Wallmount	10V ~ 24V	-20°C ~ 50°C

## Packing List

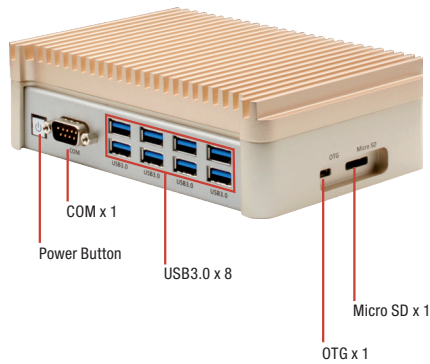
- Wallmount Bracket x 1
- BOXER-8130AI
- Power Connector x 1

## Optional Accessories

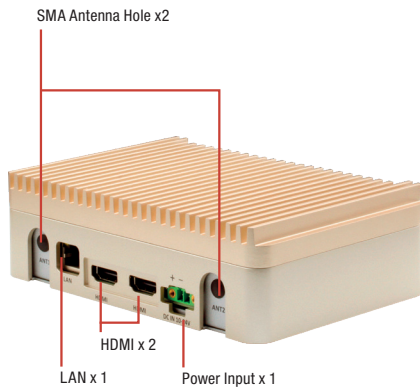
- 1255300609  
Power Adapter
- 1702031802  
Power Cord (US Type)
- 1702031803  
Power Cord (Europe)
- 170203180E  
Power Cord (Japan)

## AI@Edge Fanless Embedded Box PC with ARM + Nvidia Jetson TX2 Platform and 8 USB

Front View



Rear View



## Features

- Nvidia TX2 Module
- HMP Dual Denver 2 + Quad ARM A57
- 8GB LPDDR4
- 32GB eMMC 5.1
- HDMI 2.0
- USB 3.0 x 8
- GbE LAN x 1, COM x 1
- Compact Size chassis

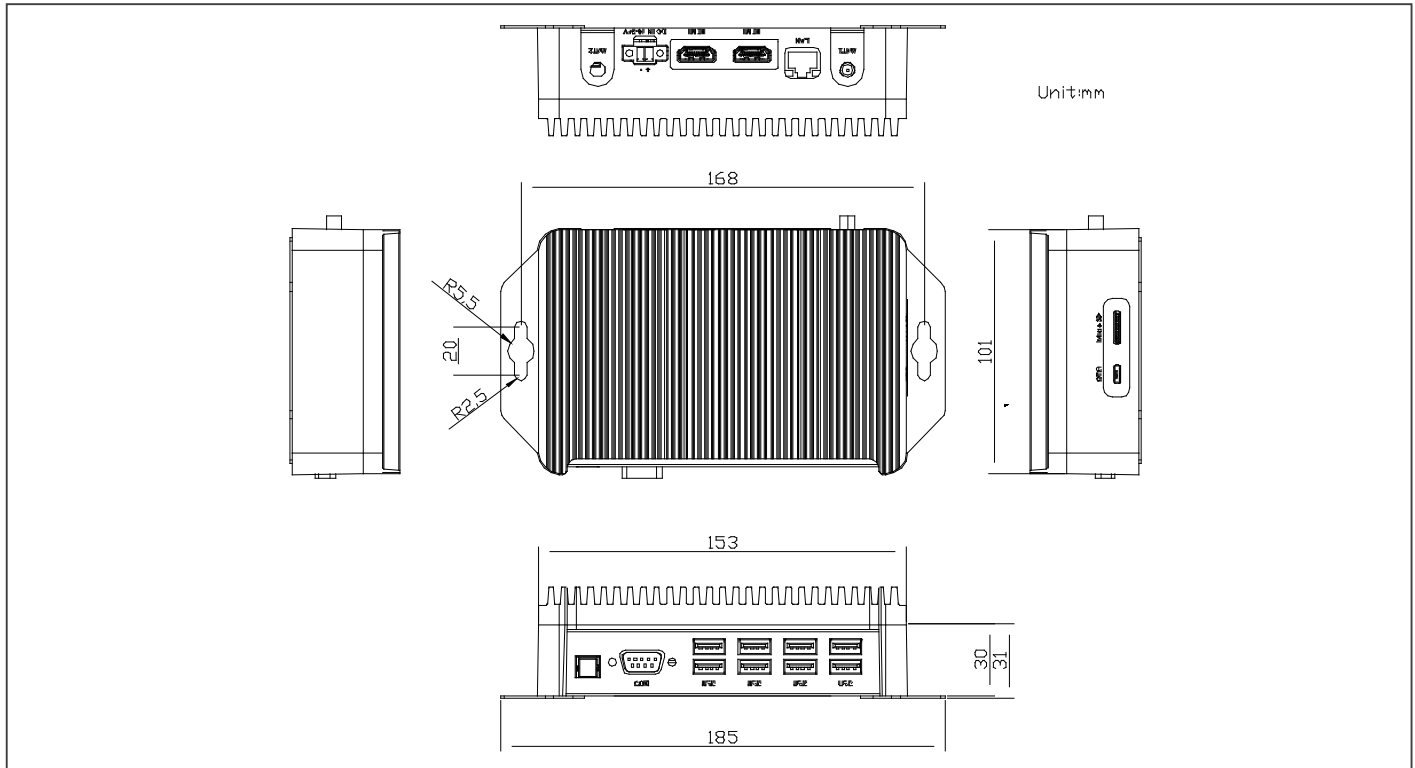


## Specifications

System	
CPU	HMP Dual Denver 2 + Quad ARM® A57
Chipset	N/A
System Memory	8GB LPDDR4
AI Solution	Nvidia Jetson TX2
Display Interface	HDMI 2.0 x 2
Storage Device	32GB eMMC 5.1 MicroSD
Ethernet	10/100/1000 Base-TX x 1
I/O	USB Type A x 8 for USB 3.0 DB-9 x1 for RS-232 HDMI 2.0 x 2 Power Switch 2-pin 10~24V DC-in Connector RJ-45 x1 for GbE LAN Ethernet Antenna Holes x 2 MicroSD x 1 OTG x 1
Expansion	SATA x1 (option) DB-9 RS-232 x1 (option) 2 channel CANBUS x1 (option)
Indicator	Power LED
OS Support	Linux (AAEON ACLinux 4.4, Compliance with Ubuntu 16.04)
Power Supply	
Power Requirement	10~24V with 2-pin terminal block
Mechanical	
Mounting	Wallmount
Dimensions (W x H x D)	153mm(W) x 45mm(H) x 101mm(D)
Gross Weight	4.40 lb (2 Kg)
Net Weight	2.2 lb (1 Kg)
Environmental	
Operating Temperature	Operating Temperature -4°F ~122°F (-20°C ~ 50°C, according to IEC60068-2 with 0.5 m/s AirFlow; with Industrial Device)
Storage Temperature	-13°F ~176 °F (-25°C ~ 80°C)
Storage Humidity	95% @ 40°C, non-condensing
Anti-Vibration	Random, 3 Grms, 5~500Hz
Certification	CE/FCC class A

## Dimension

Unit: mm



## Ordering Information

Part Number	CPU	PCH	RAM	LAN	USB 3.0	USB 2.0	RS-232	RS-232/422/485	Digital I/O	Audio	Storage	Display	Expansion	Mounting	Power	Operation temp.
BOXER-8150AI-A1-1010	HMP Dual Denver 2 + Quad ARM A57	—	8	1	8	—	1	—	—	—	32GB eMMC	HDMI x2	MicroSD x1 SATA x1 (option) DB-9 RS-232 x1 (option) 2 channel CANBUS x1 (option)	Wallmount	10V ~ 24V	-20°C ~ 50°C

## Packing List

- Wallmount Bracket x 1
- BOXER-8150AI
- Power Connector x 1

## Optional Accessories

- **1255300609**  
Power Adapter
- **1702031802**  
Power Cord (US Type)
- **1702031803**  
Power Cord (Europe)
- **170203180E**  
Power Cord (Japan)



AI@Edge Compact Fanless Embedded Box PC with NVIDIA Jetson TX2 and 4 PoE LAN

Front View



Rear View



## Features

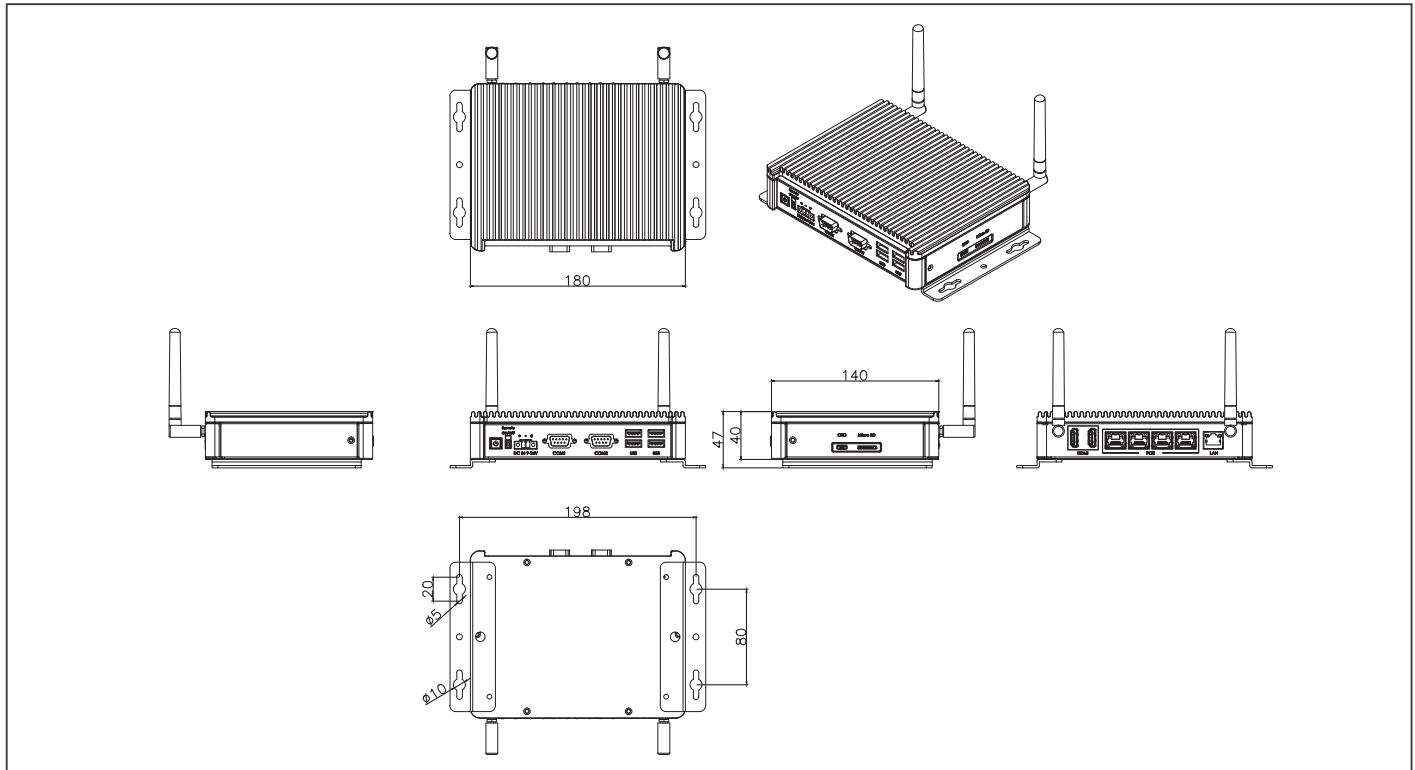
- Designed for Embedded AI vehicle Controller
- Gigabit Ethernet x 1 and 802.3af PoE x 4 for surveillance
- Nvidia TX2 Module
- HMP Dual Denver 2 + Quad ARM A57
- 8GB LPDDR4
- 32GB eMMC 5.1
- HDMI 2.0 x2
- USB 3.0 x4
- COM x2
- DC 12~24V

## Specifications

System	
CPU	HMP Dual Denver 2 + Quad ARM A57
Chipset	N/A
System Memory	8GB LPDDR4
AI Solution	Nvidia Jetson TX2
Display Interface	HDMI 2.0
Storage Device	32GB eMMC 5.1 Micro-SD
Ethernet	10/100/1000 Base-TX x 1 IEEE 802.3 af PoE LAN x 4
I/O	RJ-45 x 1 for GbE LAN IEEE 802.3af PoE x4 (60W total power budget) HDMI Type A x2 for HDMI 2.0 USB Type A x 4 for USB 3.0 DB-9 RS-232/422/485 x 2 Power On/Off Button x 1 DC-In 2-pin terminal block x1 USB OTG x 1 12~24V DC-in Power Input x1 SMA Antenna Holes x 2
Expansion	SATA x 1 (option) USB 2 x 1 (option) 2 Channel CANBUS x 1 (option)
Indicator	Power LED
OS Support	Ubuntu 16.04 compatible
Power Supply	
Power Requirement	12~24V with 2-pin terminal block
Mechanical	
Mounting	Wallmount
Dimensions (W x H x D)	180 mm(W) x 48 mm(H) x 136 mm (D)
Gross Weight	6.39 lb (2.9 Kg)
Net Weight	4.73 lb (2.15 Kg)
Environmental	
Operating Temperature	-20°C ~ 50°C (according to IEC68-2-14 with 0.5 m/s AirFlow ; with industrial devices)
Storage Temperature	-40°C ~ 80°C
Storage Humidity	5~95% @ 40°C, non-condensing
Anti-Vibration	5 Grms/ 5 ~ 500Hz/ operation
Certification	CE/FCC class A

## Dimension

Unit: mm



## Ordering Information

Part Number	RAM	LAN	PCH	PDE	USB 3.0	USB 2.0	RS-232	RS-232/422/485	Digital I/O	Audio	Storage	Display	Expansion	Mounting	Power	Operation temp.
BOXER-8170AI-A1-1010	8GB LPDDR4	1	—	4	4	0	—	2	—	—	32GB eMMC	HDMI x 2	MicroSD x1 SATA x1 (option) USB 2 x1 (option) 2 Channel CANBUS x1 (option)	Wallmount	24V DC-in (12V testing)	-20°C ~ 50°C

## Packing List

- Wallmount Bracket x 2
- Power Connector x 1
- Screw Pack x 1
- BOXER-8170AI x1

## Optional Accessories

- **1255900841**  
Power Adapter
- **1702031802**  
Power Cord (US Type)
- **1702031803**  
Power Cord (Europe)
- **170203180E**  
Power Cord (Japan)