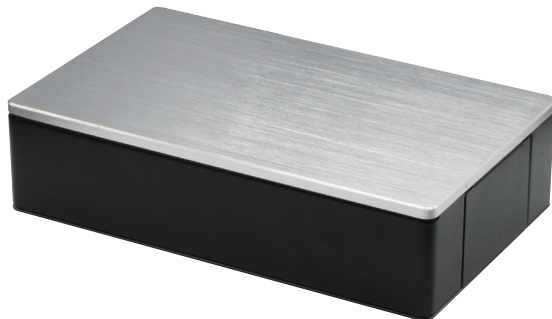


Compact Fanless Embedded Box PC with Intel® Celeron® J1900 Processor SoC

Front View



Rear View



Features

- Designed for Embedded Automation Controller
- Gigabit Ethernet x 2 for Industrial Network Appliance
- 2.5" HDD/SDD Drive Bay x 1
- 4 USB 2.0 Ports
- 4 RS-232 Ports
- 12~24V DC-in Support

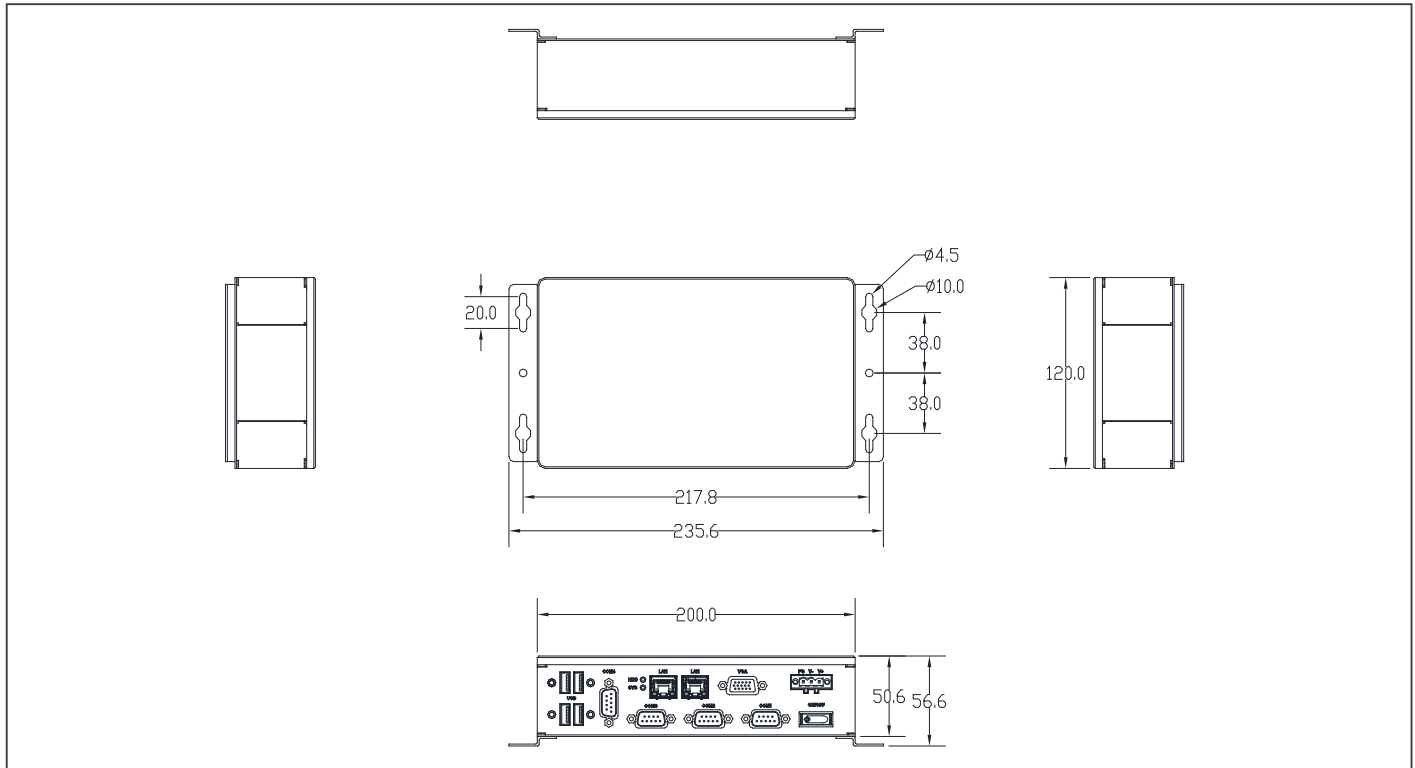


Specifications

| System | |
|------------------------|--|
| CPU | Intel® Celeron® processor J1900 |
| Chipset | Intel® System on Chip |
| System Memory | DDR3L 1333 SODIMM slot x 1, up to 8 GB |
| Display Interface | VGA |
| Storage Device | mSATA, HDD/SSD |
| Network | REALTEK. RTL8111E-VL-CG, 10/100/1000Base-TX x 2 |
| I/O | DB15 VGA x 1 RJ-45 x 2 for GbE LAN USB 2.0 x 4 RS-232 x 4 Power On/Off Switch x 1 DC-in 3-pin terminal block (12~24V) x 1 |
| Expansion | Half-size Minicard x 1 for mSATA |
| Indicator | Power LED x 1 HDD active LED x 1 |
| OS Support | Windows® 10 Windows® 8.1 Windows® 7 Windows® Embedded 8 Windows® Embedded 7 Linux Fedora |
| Power Supply | |
| Power Requirement | 12 - 24V with 3-pin terminal block |
| Mechanical | |
| Mounting | Wallmount |
| Dimensions (W x H x D) | 200 mm(W) x 120 mm(D) x 50 mm(H) |
| Gross Weight | |
| Net Weight | |
| Environmental | |
| Operating Temperature | -25°C ~ 60°C with W.T. SSD/HDD/mSATA (according to IEC68-2-14 with 0.5 m/s AirFlow ; with industrial devices) |
| Storage Temperature | -30°C ~ 80°C |
| Storage Humidity | 95% @ 40°C, non-condensing |
| Anti-Vibration | 5 Grms/ 5 ~ 500Hz/ operation – mSATA |
| Certification | CE/FCC class A |

Dimension

Unit: mm



Ordering Information

| Part Number | CPU | PCH | RAM | LAN | USB 3.0 | USB 2.0 | RS-232 | RS-232/422/485 | Digital I/O | Audio | Storage | Display | Expansion | Mounting | Power | Operation temp. |
|-------------------------|-------|-----|-----|-----|---------|---------|--------|----------------|-------------|-------|-----------|---------|------------------------|-----------|--------|-----------------|
| BOXER-6404U-A1-CS-C0001 | J1900 | SoC | — | 2 | — | 4 | 4 | 0 | — | — | mSATA x 1 | VGA x 1 | Half-size Minicard x 1 | Wallmount | 12~24V | -25°C ~ 65°C |

Packing List

- Wallmount Bracket x 2
- Phoenix Power Connector x 1
- Product DVD x1
- BOXER-6404U-A1-CS-C0001 x1

Optional Accessories

- **1255300402**
Power Adaptor
- **1702031802**
Power Cord (US type)
- **1702031803**
Power Cord (European Type)
- **170203180E**
Power Cord (Japanese Type)