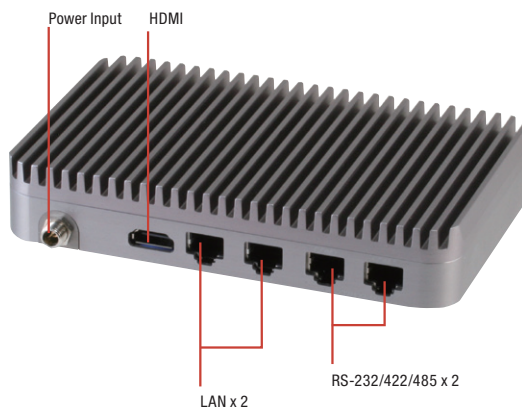


Wide Temperature Compact Embedded Box PC with Intel® Celeron® Processor SoC

Front View



Rear View



Features

- 4 Digital Input & 2 Digital Output Supports Dry Contact & Wet Contact
- HDMI Output
- Seamless Communication for WiFi, 4G, GPS, Bluetooth, and ZigBee
- Aluminum Extrusion
- Operating in -22°F ~ 158°F (-30°C ~ 70°C) Environment

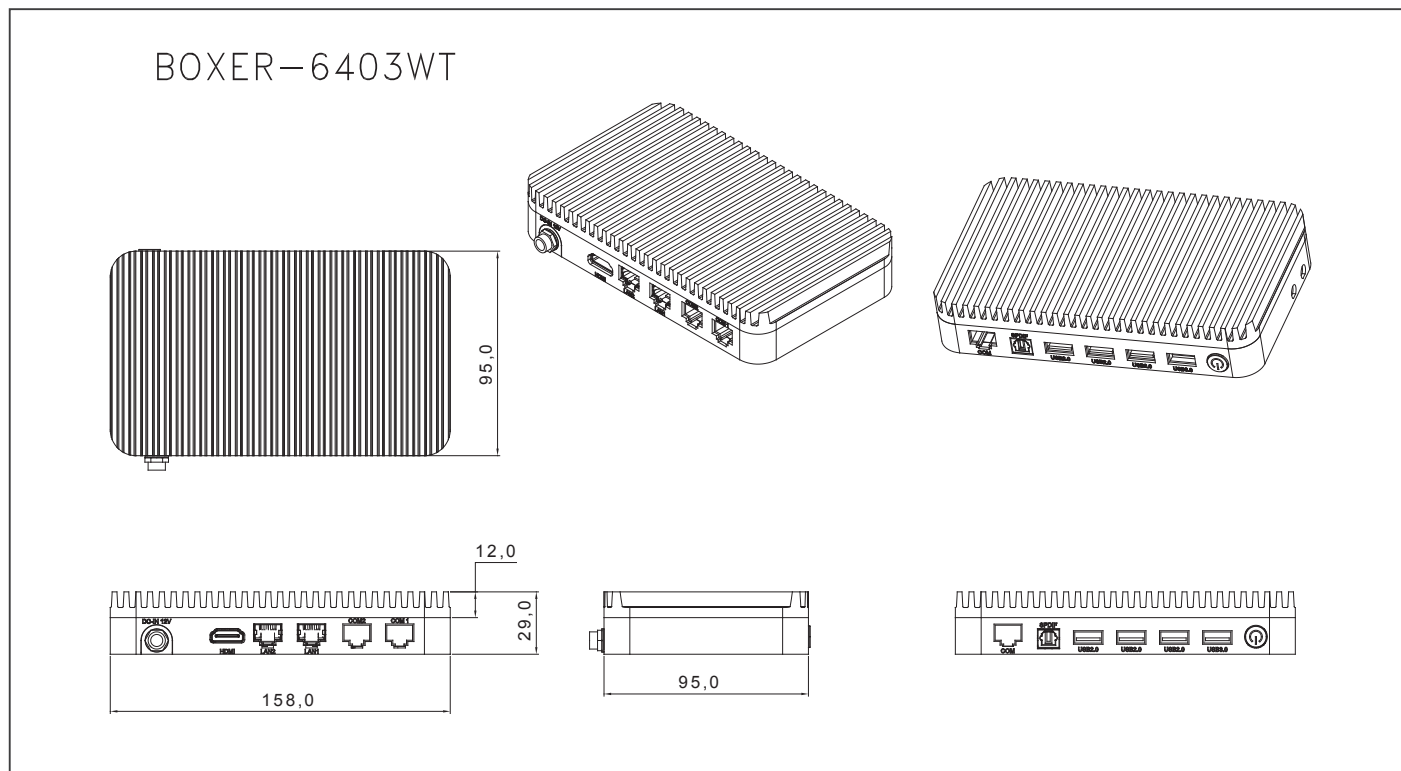


Specifications

System	
CPU	Intel® Celeron™ J1900, 2.0 GHz Intel® Celeron™ N2807, 1.58 GHz
Chipset	Intel® System on Chip
System Memory	DDR3L 1333 SODIMM slot x 1, up to 8 GB (J1900) or 4 GB (N2807)
Display Interface	HDMI
Storage Device	mSATA
Ethernet	Intel® I211, 10/100/1000Base-TX x 2
I/O	RS-232/422/485 x 2 USB 2.0 x 3 USB 3.0 x 1 HDMI x 1 LAN x 2 Digital input x 4 Digital output x 2 Antenna holes x 2 Power button Power input
Expansion	Half Mini-Card x 1 (mSATA only) Full Mini-Card x 1 with SIM slot
Indicator	Power LED on power button
OS support	Windows® 10, Windows® 8.1, Windows® 7, Windows® Embedded 8, Windows® Embedded 7, Linux Fedora
Power Supply	
Power Requirement	12V with lockable DC jack
Mechanical	
Mounting	VESA (Mounting kit is optional) DIN rail (Mounting kit is optional)
Dimensions (W x H x D)	6.22" x 3.74" x 1.41" (158mm x 95mm x 29mm)
Gross Weight	2.98 lb (1.35 kg)
Net Weight	2.5 lb (1.13 kg)
Environmental	
Operating Temperature	-22°F ~ 158°F (-30°C ~ 70°C) with wide temperature CFast™ card (according to IEC68-2-14 with 0.5 m/s AirFlow; with industrial devices)
Storage Temperature	-22°F ~ 176°F (-30°C ~ 80°C)
Storage Humidity	95% @ 40°C, non-condensing
Anti-Vibration	3G rms/ 5 ~ 500Hz/ operation -mSATA
Certification	CE/FCC class A

Dimension

Unit: mm



Ordering Information

Part Number	CPU	RAM	LAN	USB3.0	USB2.0	RS-232/422/485	Storage	Display	Expansion	Mounting	Power	Operating Temp.
BOXER-6403WT-A1-1010	Intel® N2807	Up to 4GB	2	1	3	2	Half-size mSATA bay x 1	HDMI	Full size Mini-card slot x 1	Din Rail/VESA 75	12V DC in	-30°C ~ 70°C (-22°F ~ 158°F) with 0.5m/s airflow
BOXER-6403WT-A2-1010	Intel® J1900	Up to 8GB	2	1	3	2	Half-size mSATA bay x 1	HDMI	Full size Mini-card slot x 1	Din Rail/VESA 75	12V DC in	-30°C ~ 70°C (-22°F ~ 158°F) with 0.5m/s airflow

Packing List

- RJ-45 to COM Cable x 2
- 1255300401
Power Adapter
- Product CD
- BOXER-6403WT

Optional Accessories

- 1702031802
Power Cord (US type)
- 1702031803
Power Cord (European Type)
- 170203180E
Power Cord (Japanese Type)
- 9751640300
4G Module & Antenna (for Europe)
- 9751640301
4G Module & Antenna (for USA)
- 9751640303
WiFi/BT Module & Antenna
- 9741640300
VESA Mount Kit
- 9741640301
DIN Rail Mount Kit