

02 ARM-WK075-0

Wide Temp. HMI Touch Panel Solutions - Accessories

LCD Flat Panel Monitor Wallmount Kit (VESA 75/100)



Features

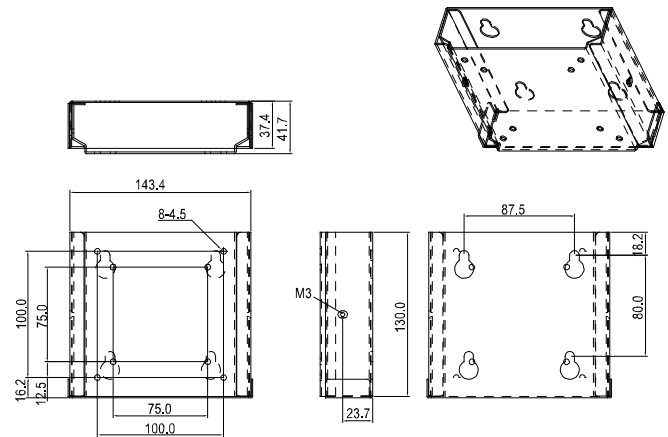
- Supports AHP-1000 Series, AHP-2000 Series, AFP-6123, AFP-6152, ACP-1000 Series, ACP-5000 Series PPC, AGD-300D Series Monitor

Ordering Information

- ARM-WK075-0**
LCD Flat Panel Monitor Wallmount Kit with VESA 75/100mm Standards

Dimension

Unit: mm



ARM-DR075-0

DIN Rail Kit (VESA 75)



Ordering Information

- ARM-DR075-0**
DIN Rail Kit with VESA 75/100mm Standard

Dimension

Unit: mm

