

6代Intel® Core™处理器或SoC, 多接口, 无风扇嵌入式系统

紧凑型系统 Compact System



产品特点

- 6th Gen. Intel Core i5-6200U
Intel Celeron® 3855U processors
- On board 4G/8G/16G DDR4 2133MHz
- Optional 5G/LTE/GPS/GPRS/WiFi/
Bluetooth
- 2.5" SATA, mSATA, M.2(2280, NVMe1.3)
- Wide range Power Input 12...24Vdc
-15%, +20%
- COM(RS-232/485 switchable) x 2
- Remote Switch: 2-pin Terminal Block
- Wide temperature (-20...70 °C)
- eMIO Module optional



规格书

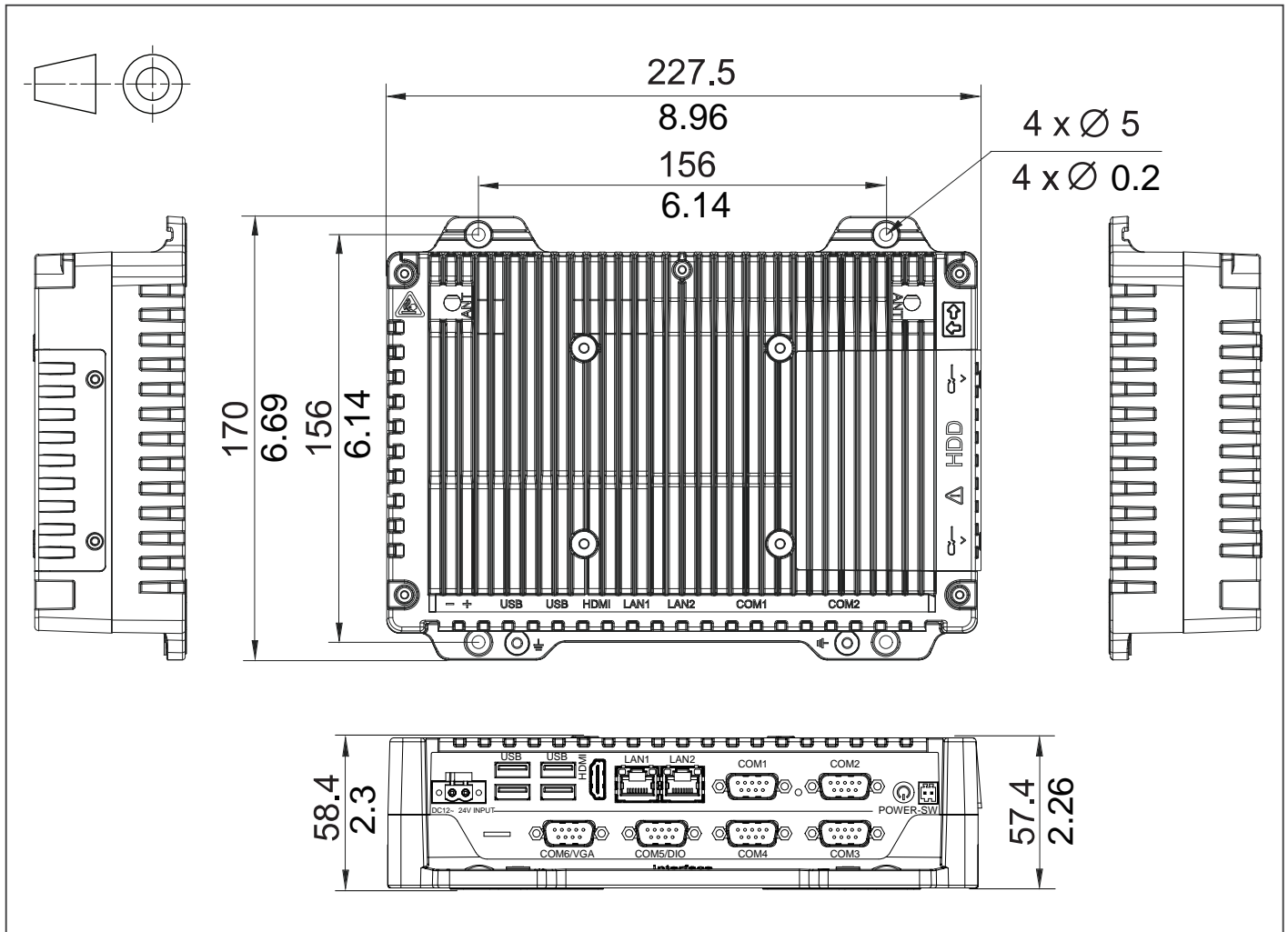
系统	
CPU	Intel® Core™ M i5-6200U 2.3GHz Intel Celeron® 3855U 1.6GHz
芯片组	Intel® Skylake-U SoC integrated
BIOS	AMI UEFI 64Mbit
系统内存	On board 4G DDR4 2133MHz(Celeron 3855U) On board 8G/16G DDR4 2133MHz(i5-6200U)
显示芯片	Intel HD Graphics 510/520
网络接口	Intel i210IT GbE x 2 Wake on LAN, PXE supported
串口	COM(RS-232/485 switchable) x 2
USB	USB3.0 x 4
扩展	2Expansions: mini PCIe, M.2 M Key 2280 eMI/O Module: M.2-4LAN; 94904COM-XX
存储	2.5" SATA, mSATA, M.2(2280, NVMe1.3)
看门狗	255 level timer interval, programmable 1...255 sec/min
TPM	None
显示接口	HDMI x 1
音频	Realtek ALC892, 2x5-pin headers(internal)
Wireless	5G/LTE/GPS/GPRS/WiFi/Bluetooth(optional)
键盘鼠标	USB KB/MS
操作系统	Windows 10/8/7, WES7, Linux OS
安装方式	Wall Mount & DIN Rail Mount

环境特征

温度	Operating: -20...70°C with SSD; Storage: -40...85°C
湿度	5...95% RH @ 40 °C Non-condensing
海拔	2,000 m (6,560 ft) max
振动	With SSD: 3G (3...500Hz) IEC61131-2
冲击	With SSD: 15G (11ms) IEC61131-2
防护等级	IP40 IEC60529
ESD	Contact: 4kV, Air: 8kV IEC61000-4-2
RF	10 V/m, 80%, 1kHz; 80MHz-6GHz IEC61000-4-3
EFT	Power: 2kV, Communication: 1kV IEC61000-4-4
SURGE	Power: 1kV CM / 0.5kV DM
	Communication: 1kV CM IEC61000-4-5
物理特征	
整机重量	1.63 kg
电源需求	12...24Vdc -15%, +20% @ Max 60W
机箱尺寸	227.5 x 170 x 58.4 mm; 8.96 x 6.69 x 2.26 in.

6代Intel® Core™处理器或SoC, 多接口, 无风扇嵌入式系统

尺寸图 (单位: mm/in.)



订购信息

P/N	描述	备注
ARES-SKU7-CSC00	3855U/4G DDR4/USB3.0x4/COMx2/LANx2/HDMI	
ARES-SKU7-CSC10	6200U/8G DDR4/USB3.0x4/COMx2/LANx2/HDMI	