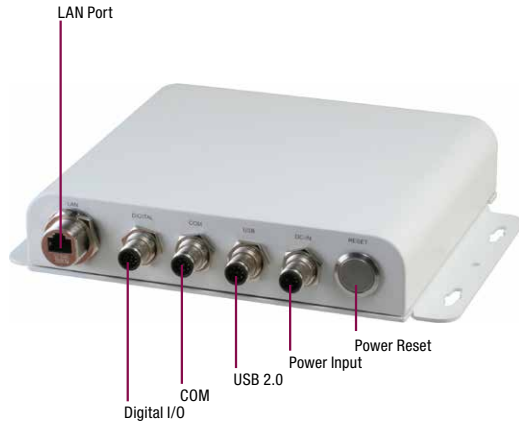
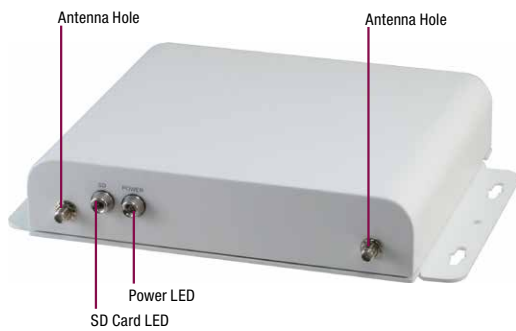


Outdoor IoT Gateway with Intel® Quark SoC Series with IP67 Rating

Front View



Rear View



Features

- Intel® Quark SoC Series
- Onboard 1 GB DDR3 800MHz SODIMM
- USB 2.0 x 2
- Serial Port x 1 (RS-232/422/485 x 1)
- 10/100 Ethernet x 1
- VDC 9~24V (Lockable VDC Connector)
- DIO (Input/ Output) x 8 pins
- Moon Island Capable with McAfee Security

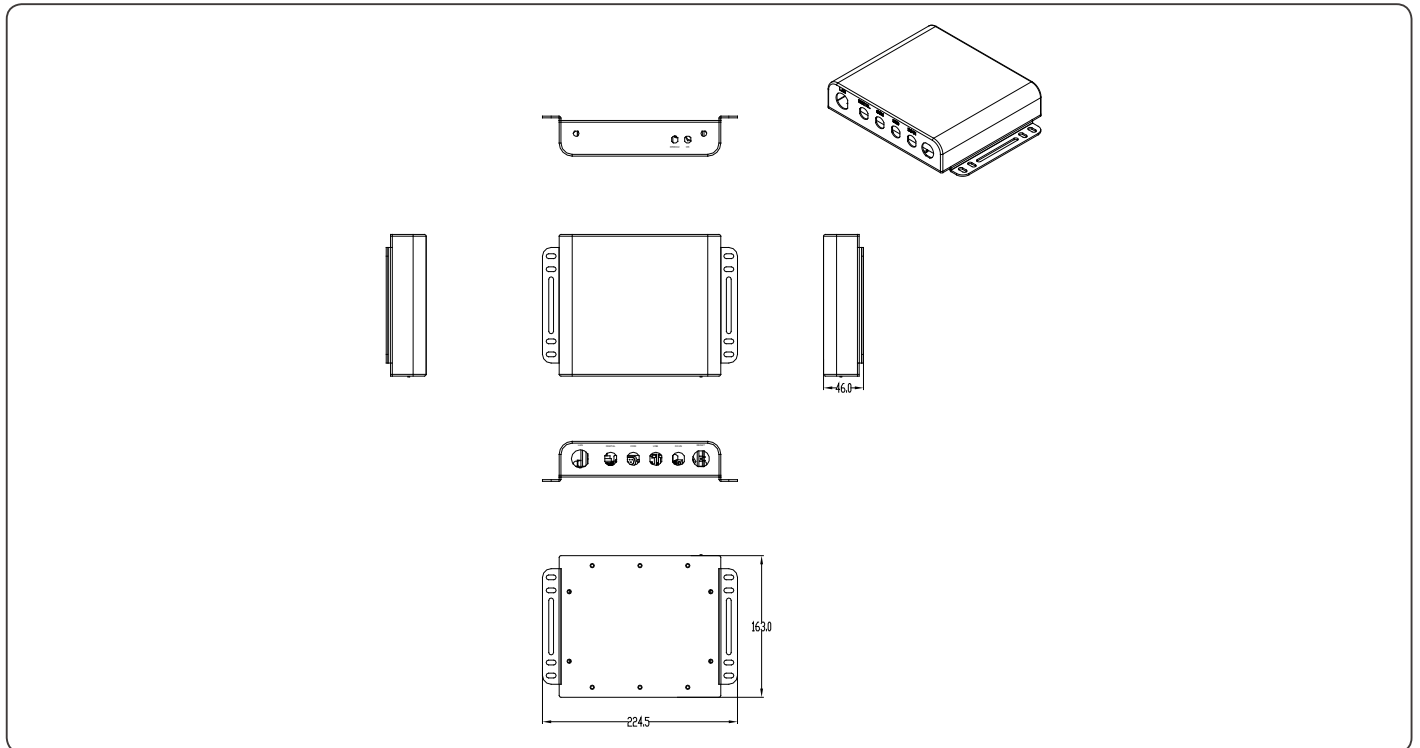


Specifications

System	
Processor	Intel® Quark SoC x1021
System Memory	Onboard 1 GB DDR3 800MHz ECC, un-buffered memory
Ethernet	10/100, RJ-45 x 1
Rear I/O	USB 2.0 Port x2 Serial Port (RS-232/422/485) x1 LAN (RJ-45) Port x1 RESET Button x1 DC connector (9~24V) x1 Digital I/O x1
Front I/O	Power LED x 1 SD card LED x 1 Antenna hole x 2
Storage	Micro SD Slot x 1 (default 4G card)
Expansion Slot	Full Size Mini-PCIe Slot for PCIe and USB Host Interface x 1 Half Size Mini-PCIe Slot for PCIe x 1 SPI Slot for optional module
OS support	Wind River Linux Yocto Linux (MOQ required)
Mechanical	
Mounting	VESA/Wallmount
Dimension	4.42" x 4.77" x 1.26" (114mm x 121.2mm x 32mm)
Gross Weight	—
Net Weight	—
Environmental	
Operating Temperature	-4°F ~ 158°F (-20°C ~ 70°C)
Storage Temperature	-40°F ~ 185°F (-40°C ~ 85°C)
Storage Humidity	10%~95% @40°C, non-condensing
Power Supply	
DC input	DC 9-24V
Optional Connectivity	
Support Connectivity	3G/ Wi-Fi/ ZigBee/ Bluetooth

Dimension

Unit: mm



Ordering Information

Part Number	CPU	Moon Island Production Kit	DRAM	Storage	LAN	USB	RS-232/422/485	Expansion slot	Temp	DIO
AIOT-QM-A10-01	Quark x1021	1	DDR3 1 GB	4 GB	10/100 x 1	2.0 x 2	1	Mini PCIe slot x 2	-20°C ~ 70°C	1 (Support 4in 4 out)

Packing List

- Product CD
- AIOT-QM

Optional Accessories

- **1255300607**
12V Power Adapter
- **9741159H00**
Wireless LAN Kit, IEEE 802.11 b/g/n, w/ BT 4.0/3.0 (Azure Wave AW-NB159H), w/ Cable and Antenna
- **9741E91000**
Mini PCIe 3G Module Kit, USB Interface, Telit, HE910-D, w/ Cable and Antenna
- **1702031000**
Mating Cable to Power DC in
- **1700081002**
Mating Cable to Dual USB
- **1701091001**
Mating Cable to COM
- **1700121000**
Mating Cable to DIO