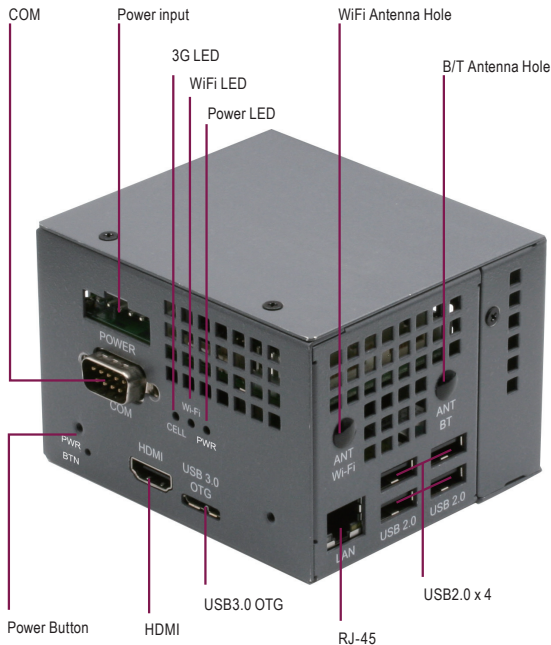


## AIOT Vending Retrofit System

Front View



Rear View



## Features

- Intel® Atom™ x5-Z8350 SOC
- Onboard 2GB DDR3L Memory, 32GB eMMC Storage
- Supports Wide-range Voltage
- Supports MDB, Protocol A (EXE) Vending Feature
- Gigabit LAN x 1, HDMI x 1
- USB 2.0 x 4, USB 3.0 OTG x 1
- Optional for WiFi, Bluetooth and 3G for Connectivity

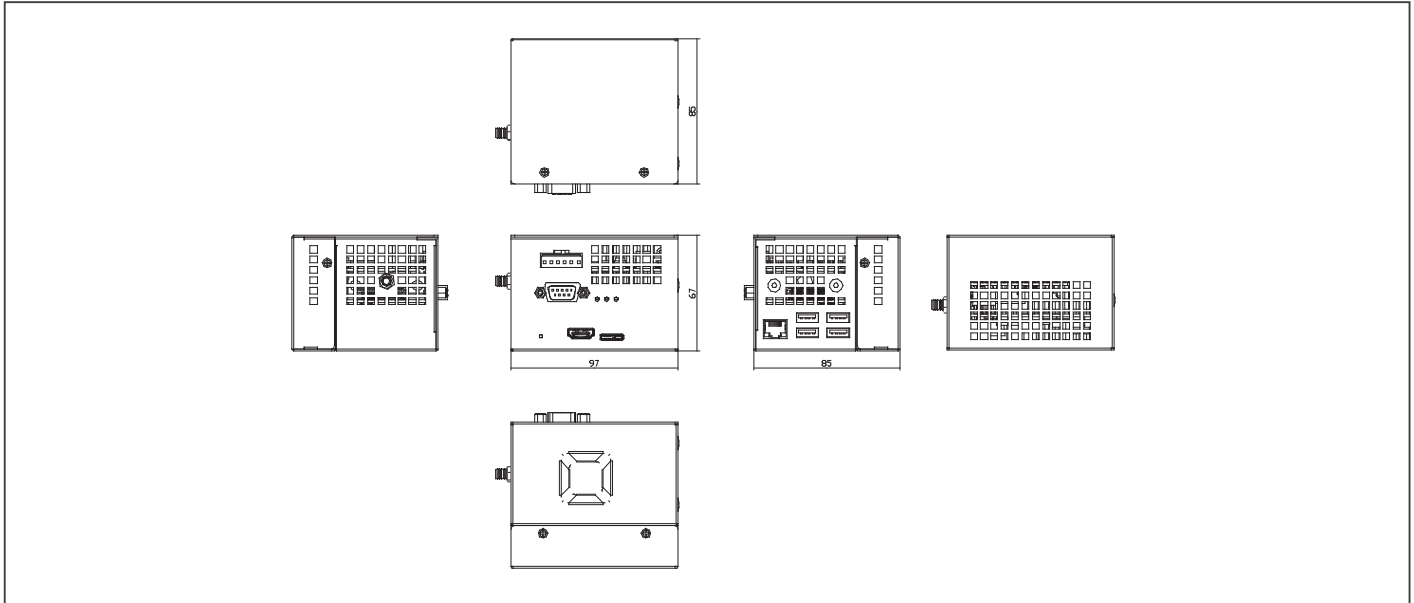


## Specifications

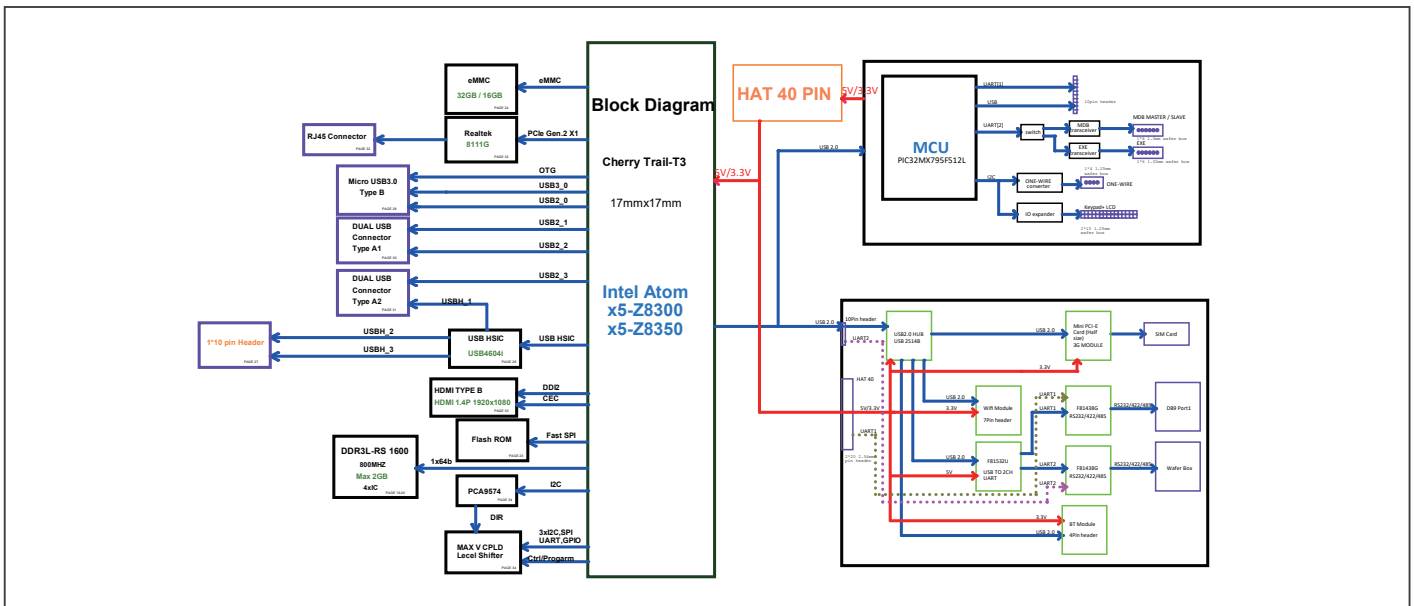
System	
CPU	Intel® Atom™ X5-z8350 SoC
Memory	Onboard 2GB DDR3L-1600 memory
Graphics	Intel® HD 400 Graphics ,12 EU GEN 8, up to 500MHz Support DX*11.1/12, Open GL*4.2, Open CL*1.2 OGL ES3.0, H.264, HEVC(decode), VP8
Storage	32GB eMMC on board x 1
Ethernet	Realtek 8111G x 1
WiFi/BT	Optional USB interface for WiFi Module x 1 USB interface for Bluetooth module x 1
Audio	HDMI Audio x 1
USB	USB2.0 x 4 USB 3.0 OTG x 1
COM	COM (RS-232) x 1
Expansion Slot	Mini PCIe slot for 3G module (USB interface) x 1 Micro SIM Socket x 1
LORA® Function	—
I/O Placements	
Power	12 ~ 45V DC 16 ~ 24V AC
USB	USB 2.0 Stack Connector x 2 USB 3.0 OTG x 1
Display port	HDMI connector x 1
Ethernet	RJ45 Connector x 1
COM	COM (RS-232) x 1
WiFi/BT Antenna	Optional
I/O Connector	RJ45 Connector x 1 HDMI Connector x 1 COM (RS-232) x 1 USB 2.0 Stack Connector x 2 USB 3.0 OTG x 1
LORA® Antenna	—
Environment	
Power	12 ~ 45V DC 16 ~ 24V AC
Form Factor	—
Operating Temperature	0°C ~ 40°C
Operating Humidity	0% ~ 90% relative humidity, non-condensing
Certification	CE, FCC
OS Support	Windows® 10, Ubuntu 16.04

## Dimension

Unit: mm



## Block Diagram



## Ordering Information

Part Number	Description
AIOT-IVM01-A20-CA40232	AIOT-IVM01, w/2G memory, 32G eMMC, w/o VESA plate
AIOT-IVM01-A20-CA41232	AIOT-IVM01, w/2G memory, 32G eMMC, w/ VESA plate

## Packing List

- AIOT-IVM01
- Power Cable to DC Jack

## Optional Accessories

Part Number	Description	Q'ty
UP-WIFIKIT-A20-7001	WIFI KIT with 7M. module. A01	1
9741UC20G0	3G module kit (UC20-G)	1
UP-BTKIT-A20-0001	UP-GWS01 BT KIT with bluetooth. module.A01	1
1702062000	24V DC cable	1
1703150200	MDB & EXE cable to 24VDC jack	1
1709100802	Micro USB3.0 OTG Cable	1
1255200600	24Vdc adapter	1
1702031802	USA power cord	1
M14IVM0020	VESA Mount for AIOT-IVM01	2