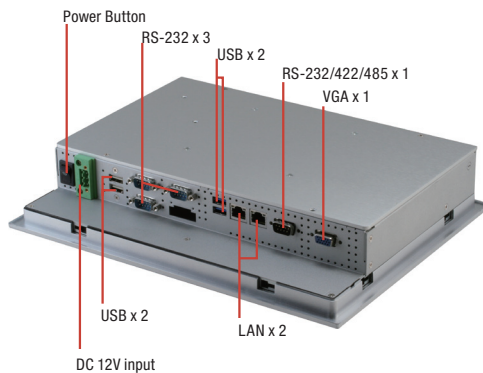


12.1" XGA Touch Panel PC with Onboard Intel® N3710/N3060 Processors, 2 GB RAM



Features

- 12.1" LCD with 500 Nits XGA LED Backlight
- Onboard Intel® N3710/N3060 Processor
- IP65 Plastic Front Bezel
- DC 12V/ DC 9-30V
- Fanless Operation

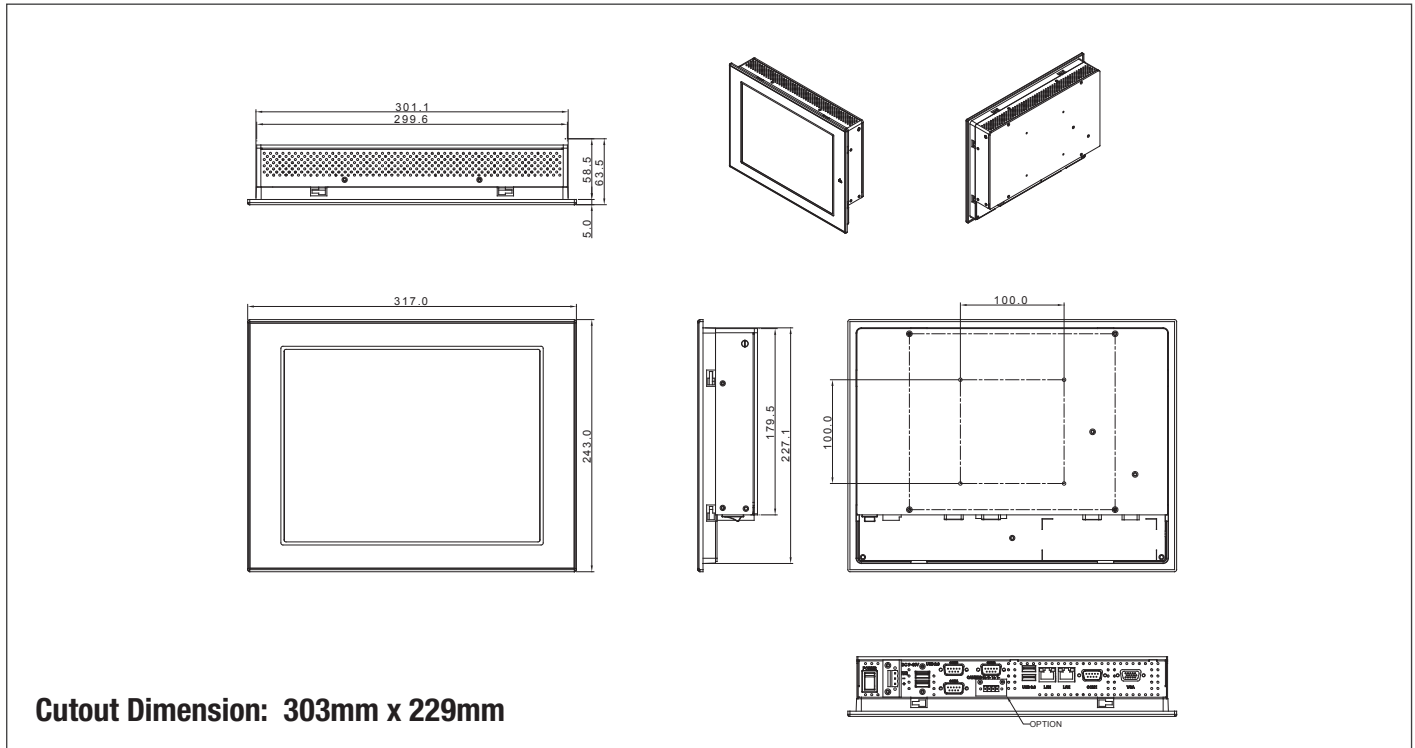


Specifications

System	
Processor	Intel® N3710 processor, 1.6 GHz (Quad-Core) Intel® N3060 processor, 1.6 GHz (Dual-Core)
System Memory	204-pin DDR3L SODIMM x 1, default 2GB, up to 8GB
LCD/CRT Controller	Integrated in processor
Ethernet	10/100/1000Base-TX, RJ-45 x 2
I/O Port	DB9 Type RS-232/422/485 x 1 DB9 Type RS-232 x 3 USB 2.0 x 2 USB 3.0 x 2 DB-15 VGA x 1 RJ-45 10/100/1000 LAN x 2 3-pin terminal block for power input Power button x 1
Storage Disk Drive	2.5" SATA HDD bay x 1
Expansion Slot	Half-size Mini-Card x 1 (Internal) Full size Mini-Card x 1 (Internal)
OS support	Windows® 7, Windows® 8.1, Windows® 10, Linux kernel 2.6.3 or above
Mechanical	
Construction	Plastic Front Bezel + Aluminum Chassis
Mounting	VESA 100/ Panel mount/ Stand
Dimension	16.34" x 7.09" x 15.43" (415 mm x 180 mm x 392 mm)
Gross Weight	9.46 lb (4.3 kg)
Net Weight	6.38 lb (2.9 kg)
Environmental	
Operating Temperature	5°F ~ 131°F (-15°C ~ 55°C) with 0.5 m/s airflow
Storage Temperature	-4°F ~ 158°F (-20°C ~ 70°C)
Storage Humidity	90% @40°C, non-condensing
Vibration	1 Grms / 5~ 500Hz / operation – with HDD
Shock	15G peak acceleration (11 msec. duration) – with HDD
EMC	CE/FCC class A
Power Supply	
DC input	DC 12V, DC 9~30V
LCD	
Display Type	12.1" TFT-LCD, LED
Max. Resolution	1024 x 600
Max. Colors	16.2M colors (6/8-bit for R,G,B)
Luminance	500 cd/m ²
Viewing Angle	160°(H), 160°(V)
Back Light	LED
Back Light MTBF (Hours)	50,000
Touchscreen	
Type	5-wire resistive
Light Transmission	90%
Life Time	10 million activations

Dimension

Unit: mm



Ordering Information

Part Number	Display Type	Max Resolution	Luminance	View Angle	Backlight MTBF	CPU	LAN	USB 3.0	USB 2.0	RS-232	RS-232/422/485	Storage	RAM	Display	Expansion	Mounting	Power	Temp.	Touch
AHP-1125HTT-A1-1010	12.1" TFT-LCD	1024 x 768	500 cd/m2	160°(H)/160°(V)	50,000	Intel N3710, 1.6GHz (Quad-Core)	2	2	2	3	1	2.5" SATA HDD x 1	2 GB Included	VGA x 1	Half size Mini-Card x 1 (Internal), Full size Mini-Card x 1 (Internal)	VESA 100/ Panel mount	DC 9~30V	-5°C ~ 50°C (w/o airflow) -3°F ~ 131°F (-5°C ~ 55°C) (w/ airflow)	5-wire resistive
AHP-1125HTT-A2-1010	12.1" TFT-LCD	1024 x 768	500 cd/m2	160°(H)/160°(V)	50,000	Intel N3710, 1.6GHz (Quad-Core)	2	2	2	3	1	2.5" SATA HDD x 1, Half-size mSATA	2 GB Included	VGA x 1	Half size Mini-Card x 1 (Internal), Full size Mini-Card x 1 (Internal)	VESA 100/ Panel mount	DC 12V	-5°C ~ 50°C (w/o airflow) -3°F ~ 131°F (-5°C ~ 55°C) (w/ airflow)	5-wire resistive
AHP-1125HTT-A3-1010	12.1" TFT-LCD	1024 x 768	500 cd/m2	160°(H)/160°(V)	50,000	Intel N3060, 1.6GHz (Dual-Core)	2	2	2	3	1	2.5" SATA HDD x 1, Half-size mSATA	2 GB Included	VGA x 1	Half size Mini-Card x 1 (Internal), Full size Mini-Card x 1 (Internal)	VESA 100/ Panel mount	DC 9~30V	-5°C ~ 50°C (w/o airflow) -3°F ~ 131°F (-5°C ~ 55°C) (w/ airflow)	5-wire resistive
AHP-1125HTT-A4-1010	12.1" TFT-LCD	1024 x 768	500 cd/m2	160°(H)/160°(V)	50,000	Intel N3060, 1.6GHz (Dual-Core)	2	2	2	3	1	2.5" SATA HDD x 1, Half-size mSATA	2 GB Included	VGA x 1	Half size Mini-Card x 1 (Internal), Full size Mini-Card x 1 (Internal)	VESA 100/ Panel mount	DC 12V	-5°C ~ 50°C (w/o airflow) -3°F ~ 131°F (-5°C ~ 55°C) (w/ airflow)	5-wire resistive

Packing List

- Phoenix Power Connector
- Mounting Brackets and Screws
- Product CD
- AHP-1125

Optional Accessories

- **AP-0T9789LA1000**
LCD monitor Stand 230mm, LA-100
- **1702031802**
Power Cord (US Type)
- **1702031803**
Power Cord (European Type)
- **170203180E**
Power Cord (Japanese Type)
- **1255900841**
12V 84W Power Adapter w/ 3-pin Terminal Block
- **9761115400**
WiFi Module b/g/n