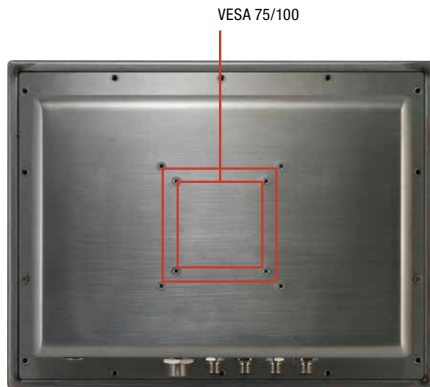


12.1" Stainless Fanless Touch Panel PC with Intel® Atom™ D2550 Processor, 2 GB RAM



Features

- 12.1" XGA (1024 x 768) TFT LCD Display
- Intel® Atom™ D2550 Processor, Fanless Operation
- IP66/NEMA4x-Compliant Stainless Type 316L System
- Supports Wide Operation Temperature : -20°C ~ 50°C
- Power Input Protection:
 - Over-Voltage Protection
 - Low-Voltage Protection
 - Reverse-Voltage Protection

Note: Factory-installed Storage Device is recommended for IP66 Protection.



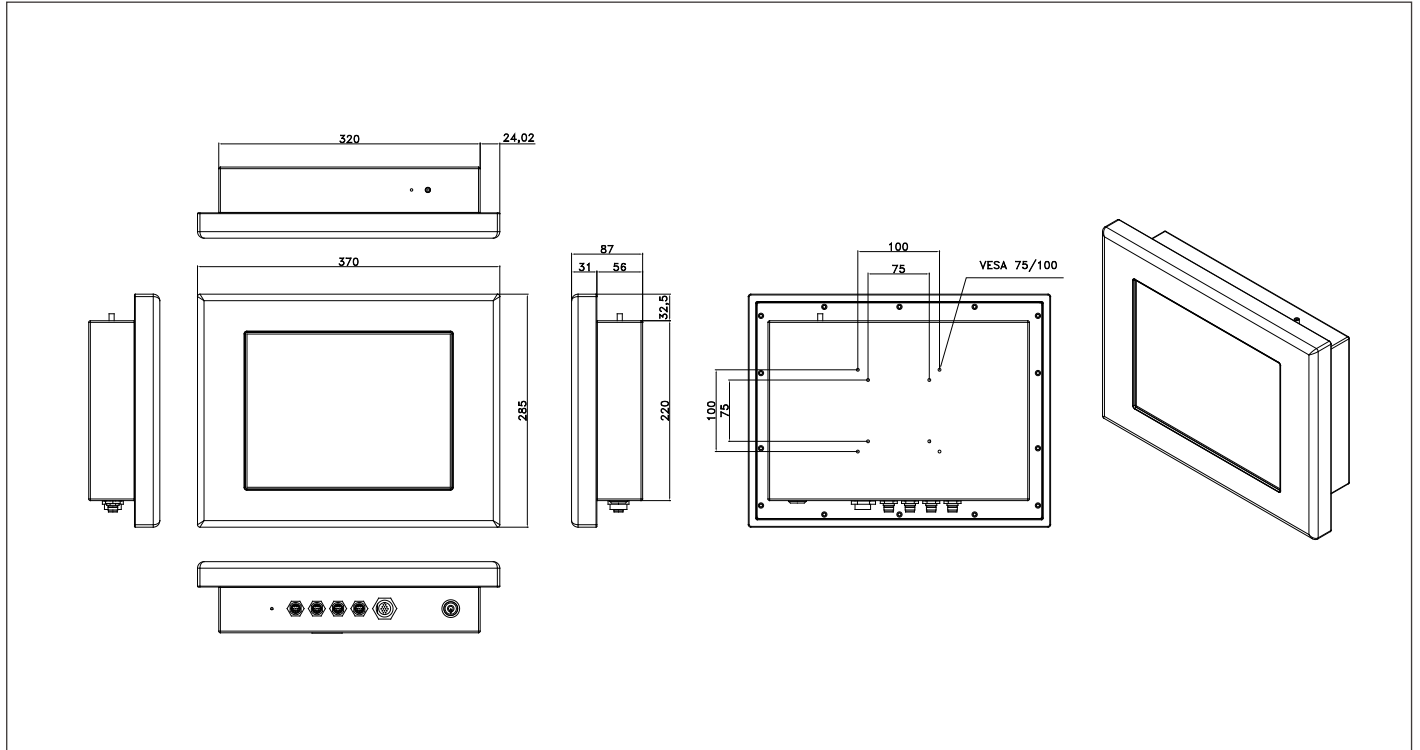
Specifications

System	
Processor	Onboard Intel® Atom™ D2550 Dual Core Processor
Memory	DDR3 SODIMM x 1 up to 4 GB (Wide-Temp. and Factory-installed), default 2 GB
LCD/CRT Controller	Integrated in Processor
Ethernet	10/100/1000Base-TX x 1
I/O Port	M12 x 1 for USB 2.0 x 2 M12 x 1 for RS-232 x 1 M12 x 1 for RS-232/422/485 x 1 M12 x 1 for LAN x 1, Power input x 1
Storage Disk Drive	2.5" SATA HDD x 1 / CFast™ Slot x 1 (internal) (Wide-Temp. and Factory-installed)
Expansion Slot	Mini-Card x 1
OS support	Windows® XP, Windows® 7 32-bit, Linux Fedora
Mechanical	
Construction	IP66 / NEMA4x stainless steel front bezel & chassis
Mounting	VESA 75/100
Dimension	14.6" x 11.2" x 3.42" (370mm x 285mm x 87mm)
Carton Dimension	20" x 18.1" x 8.26" (510mm x 460mm x 210mm)
Gross Weight	18.1 lb (8.2 kg)
Net Weight	15.2 lb (6.93 kg)
Environmental	
Operating Temperature	-4°F ~ 122°F (-20°C ~ 50°C) ambient without airflow -4°F ~ 130°F (-20°C ~ 55°C) ambient with airflow
Storage Temperature	-4°F ~ 158°F (-20°C ~ 70°C)
Storage Humidity	5%~90% @40°C, non-condensing
Vibration	1 Grms/ 5~500Hz/ random operation (HDD)
Shock	15 G peak acceleration (11 msec. duration)
EMC	CE/FCC class A
Power Supply	
DC input	DC 9~30V input -Over-voltage protection -Low-voltage protection -Reverse-voltage protection
LCD	
Display type	12.1" TFT-LCD
Max. Resolution	1024 x 768
Max. Colors	262k colors
Luminance	500
Viewing Angle	160°(H)/160°(V)
Back Light	LED
Back Light MTBF (Hours)	50,000
Touchscreen	
Type	5 wire resistive
Light Transmission	80%
Lifetime (Times)	10 million activations

AFP-6123

Dimension

Unit: mm



Ordering Information

Part Number	Display Type	Max. Resolution	Luminance	View Angle	Backlight MTBF (Hours)	CPU	LAN	USB	RS-232	RS-485/422/232	Storage	RAM	Display	Expansion	Mounting	Power	Temp.	Touch
AFP-6123HTT-A1-1012	12.1" TFT-LCD	1024 x 768	500 cd/m ²	160 (H), 160 (V)	50,000	D2500, 1.86 GHz	1	2	1	1	CFast™ kit x 1 SATA-HDD kit x 1	2 GB	VGA x 1	Mini-Card x 1	VESA75/100	DC 9-30V	-20-50°C (w/o air)	5-wire resistive
AFP-6123HTT-A2-1012	12.1" TFT-LCD	1024 x 768	500 cd/m ²	160 (H), 160 (V)	50,000	D2500, 1.86 GHz	1	2	1	1	CFast™ kit x 1 SATA-HDD kit x 1	2 GB	VGA x 1	Mini-Card x 1	VESA75/100	DC 9-30V	-20-50°C (w/o air)	5-wire resistive

Note: A2 version without WiFi connector.

Packing List

- USB Cable with 2 USB Waterproof Connectors
- COM Cables with Waterproof Connectors
- Waterproof Connector for DC-in (Female)
- Product CD
- AFP-6123

Optional Accessories

- **1757910004**
AC Adapter (100W)
- **1702031802**
AC Adapter Cord (US Type)
- **1702031803**
AC Adapter Cord (European Type)
- **170203180E**
AC Adapter Cord (Japanese Type)