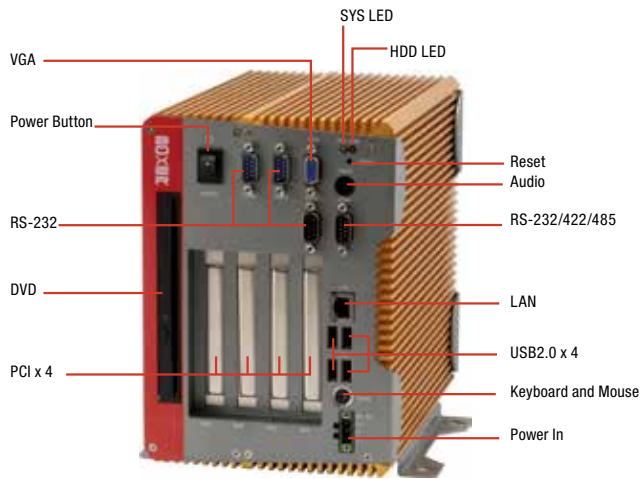


AEC-6915

Mini-size Embedded Controller With Intel® Pentium® M/ Celeron® M Processor and 4 PCI Expansion

Front View



Rear View



Features

- Fanless
- Wide Power Input Range
- PCI x 4
- High Performance, Supports Up To Pentium® M Processor
- Compact Size
- Easy Access I/O Interface
- ATX Power Function



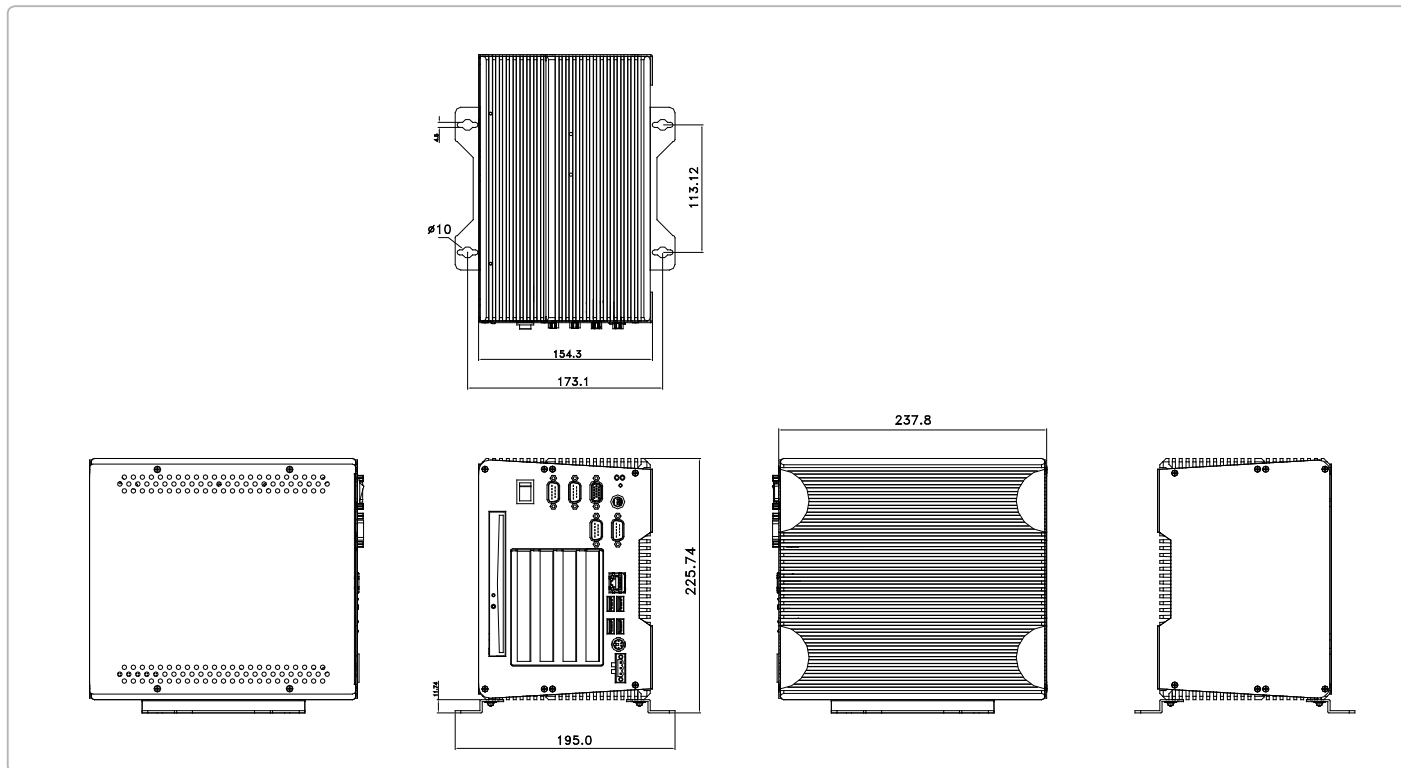
Specifications

CPU	Intel® Pentium M 2.0 GHz (760)	
Chipset	Intel® 915GM+ICH6M	
System Memory	200-pin DDR2 SODIMM x 1, up to 2GB	
Display Interface	VGA	DB-15 x 1, shared system memory up to 128M
	DVI	—
	Others	—
Storage Device	SSD	Type 2 CompactFlash™ Slot x 1 (inside)
	HDD	SATA 3.0Gb/s HDD bay x 1
Network	LAN	Gigabit Ethernet
	Wireless	—
Front I/O	USB Port	4
	LAN	RJ-45 x 1
	Serial Port	RS-232 x 3, RS-232/422/485 x 1
	DIO	—
	Audio	Line-in/ Line-out/ Mic-in, requires an extension cable
	KB/MS	1
	Others	VGA x 1, Reset button x 1, DVD-ROM x 1, Power button x 1, Power inlet x 1
Rear I/O	USB Port	—
	LAN	—
	Serial Port	—
	DIO	—
	Audio	—
	KB/MS	—
Expansion	Others	—
	PCIe [x1]	—
	PCI	4
	Mini Card	—
	Mini PCI	—
Indicator	Others	—
	Front	System LED x 1, HDD LED x 1
	Rear	—
Power Requirement	DC 9-30V	
Power Consumption	DC 12V/4.09A (Pentium® M 760)	
System Cooling	Passive cooling	
Mounting	Wallmount	
Operating Temperature	Ambient with Airflow:	
	5°F ~ 131°F (-15°C ~ 55°C) (W/ 760/WT CFD) 5°F ~ 122°F (-15°C ~ 50°C) (W/ 760/WT HDD)	
Storage Temperature	-4°F ~ 158°F (-20°C ~ 70°C)	
Anti-Vibration	5 g rms/ 5 ~ 500Hz/ operation – CFD, 1 g rms/ 5 ~ 500Hz/ operation – HDD	
Anti-Shock	50 G peak acceleration (11 msec. duration) – CFD	
MTBF	40,000	
Certification	EMC	CE/FCC class A
	Safety	—
Dimension (W x H x D)	6.1" (W) x 8.9" (H) x 9.4" (D) (154.3mm x 225.8mm x 237.8mm)	
Gross Weight	18.04 lb (8.2 Kg)	

AEC-6915

Dimension

Unit: mm



Ordering Information

Part Number	CPU	RAM	LAN	USB	RS-232	RS-232/422/485	Storage	Display	Expansion	Mounting	Power	Temp.
TF-AEC-6915-A1-1010	Intel® Pentium® M 760 - 2.0GHz	512MB	1	4	3	1	CF kit x 1 HDD kit x 1	VGA-I x 1	PCI x 4	Wall mount	9-30V	-15°C ~ 55°C (w/o air)
TF-AEC-6915-A2-1010	Intel® Celeron® M 370 - 1.5GHz	512MB	1	4	3	1	CF kit x 1 HDD kit x 1	VGA-I x 1	PCI x 4	Wall mount	9-30V	-15°C ~ 55°C (w/o air)
TF-AEC-6915-B1-1010	T7200 - 2.0GHz	2GB	1	4	3	1	CF kit x 1 HDD kit x 1	VGA-I x 1	PCI x 4	Wall mount	9-30V	-15°C ~ 55°C (w/o air)

Packing List

- Phoenix Power Connector x 1
- Wallmount Bracket x 2
- Audio Cable x 1
- Screw Package x 1
- Product CD
- AEC-6915

Optional Accessories

- **1757912001**
AC Adapter (120W), Output: DC 19V
- **1702031830**
Power Cord (US type)
- **1702031831**
Power Cord (European type)
- **1702031810**
Power Cord (Japanese type)