

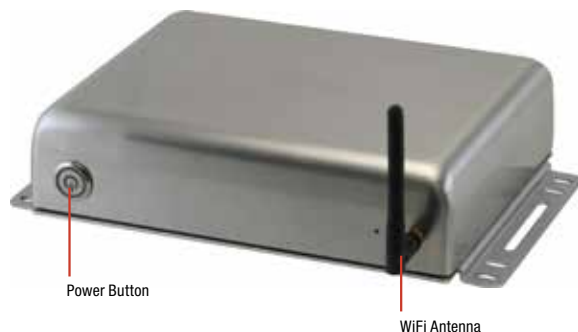
# AEC-6511

IP67 Water-Proof Fanless Embedded Controller With Intel® Atom™ N270 Processor

Front View



Rear View



I/O View



## Features

- Intel® Atom™ N270 1.6 GHz Processor
- Water, Dust & Corrosion Proof
- Anti-Shock & Vibration Structure
- Washable IP67 Water Proof Protection
- Stainless Steel Chassis With Water Proof I/O Connector
- Memory, CompactFlash™, HDD Must Be Industrial Grade



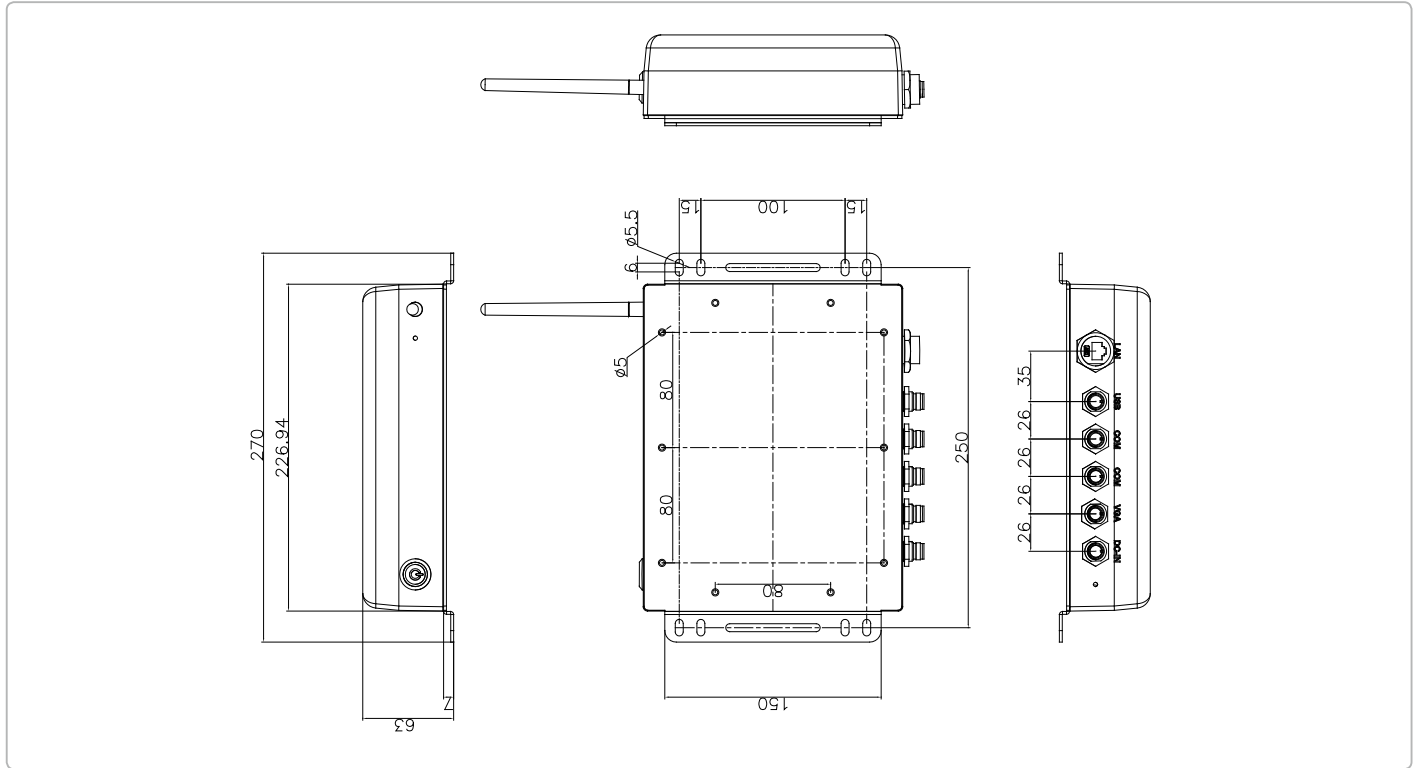
## Specifications

CPU	Intel® Atom™ N270 1.6GHz	
Chipset	Intel® 945GSE + ICH7M	
System Memory	DDR2 SDRAM SODIMM x 1, up to 2 GB	
Display Interface	VGA	DB-15 x 1, shared system memory up to 224MB/ DVMT 3.0
	DVI	—
	Others	—
Storage Device	SSD	CompactFlash™ Slot
	HDD	2.5" SATA 1.5Gb/s Slim Hard Disk Drive Bay
Network	LAN	Gigabit Ethernet, RJ-45 x 1
	Wireless	Optional by Mini Card
Front I/O	USB Port	USB2.0 x 2
	LAN	RJ-45 x 1
	Serial Port	RS-232 x 1, RS-232/422/485 x 1
	DIO	—
	Audio	—
	KB/MS	—
	Others	Power input x 1
Rear I/O	USB Port	—
	LAN	—
	Serial Port	—
	DIO	—
	Audio	—
	KB/MS	—
Others	Power switch x 1	
Expansion	PCIe [x1]	—
	PCI	—
	Mini Card	1
	Mini PCI	1
Others	—	
Indicator	Front	—
	Rear	—
Power Requirement	DC-in 12 V input	
Power Consumption	Intel® Atom™ N270 1.6GHz, 1.12A @ 12V	
System Cooling	Passive Cooling	
Mounting	Wallmount	
Operating Temperature	-4°F ~ 122°F (-20°C ~ 50°C)	
Storage Temperature	-4°F ~ 158°F (-20°C ~ 70°C)	
Anti-Vibration	5g rms/ 5 ~ 500Hz/ operation – CFD	
	1g rms/ 5 ~ 500Hz/ operation – HDD	
Anti-Shock	50 G peak acceleration (11 msec. duration) – CFD	
	20 G peak acceleration (11 msec. duration) – HDD	
MTBF (Hours)	60,000	
Certification	EMC	CE /FCC Class A
	Safety	—
Dimension (W x H x D)	13.23" x 11.57" x 10.24" (336mm x 294mm x 260mm)	
Gross Weight	6.4 lb (2.9 kg)	
Note	Windows® XP Embedded, Windows® XP, Windows® 7, Linux Centos 6.0-2.6.32 Support	

# AEC-6511

## Dimension

Unit: mm



## Ordering Information

Part Number	CPU	RAM	LAN	USB	RS-232	RS-232/422/485	Storage	Accessory Cables	Display	Expansion	Mounting	Power	Temp.
TF-AEC-6511-A1-1010	Intel® Atom™ N270 -1.6GHz	—	1	2	1	1	CF Kit x 1	—	VGA x 1	mini-PCI x 1, Mini Card x 1	Wall mount	DC-12V	-20°C~50°C (w/o air)
TF-AEC-6511-A2-1010	Intel® Atom™ N270 -1.6GHz	—	1	2	1	1	HDD Kit x 1	—	VGA x 1	mini-PCI x 1, Mini Card x 1	Wall mount	DC-12V	-20°C~50°C (w/o air)
TF-AEC-6511-A3-1010	Intel® Atom™ N270 -1.6GHz	—	1	2	1	1	CF Kit x 1	1 set	VGA x 1	mini-PCI x 1, Mini Card x 1	Wall mount	DC-12V	-20°C~50°C (w/o air)
TF-AEC-6511-A4-1010	Intel® Atom™ N270 -1.6GHz	—	1	2	1	1	HDD Kit x 1	1 set	VGA x 1	mini-PCI x 1, Mini Card x 1	Wall mount	DC-12V	-20°C~50°C (w/o air)

## Packing List

- Screw Package x 1
- Product CD
- AEC-6511 (with Wallmount Brackets)  
Note: A3 and A4 Versions have Cable Set

## Optional Accessories

- **1709080251**  
USB x 2 Cable, Waterproof, 30cm
- **1700151807**  
VGA Cable, 12P M12(F) to DB-15(F), 180cm
- **1700090208**  
COM Port Cable, M12 to 9 Pin (M) D-SUB, 30cm
- **1702030143**  
Power Cable, M12 to 3P 5.08mm Phoenix Connector, 14cm
- **1757904002**  
Power Adapter (40W), Output: DC 12V
- **1702031802**  
Power Cord (US Type)
- **1702031803**  
Power Cord (European Type)
- **170203180E**  
Power Cord (Japanese Type)
- **9741651100**  
WiFi Kit with 180D Water-proof Antenna
- **9741651101**  
WiFi Kit with 90D Water-proof Antenna