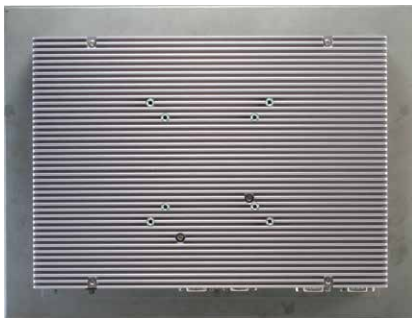
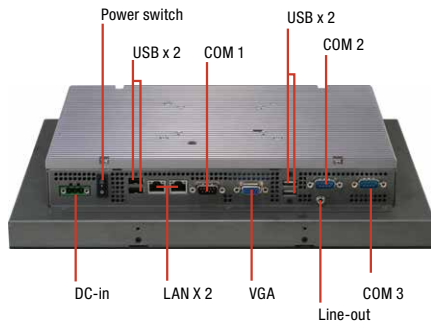


15" Multi-Touch Panel PC with Intel® Atom™ D2550 1.86 GHz Processor, 2 GB RAM



Features

- 15" XGA (1024 x 768) Color TFT LCD Display
- Open-Frame Design (Without Edge)
- P-CAP Multi-touch (2-point)
- Intel® Atom™ D2550 Processor
- Fanless Operation
- VESA 75/100 and Panel Mount Support



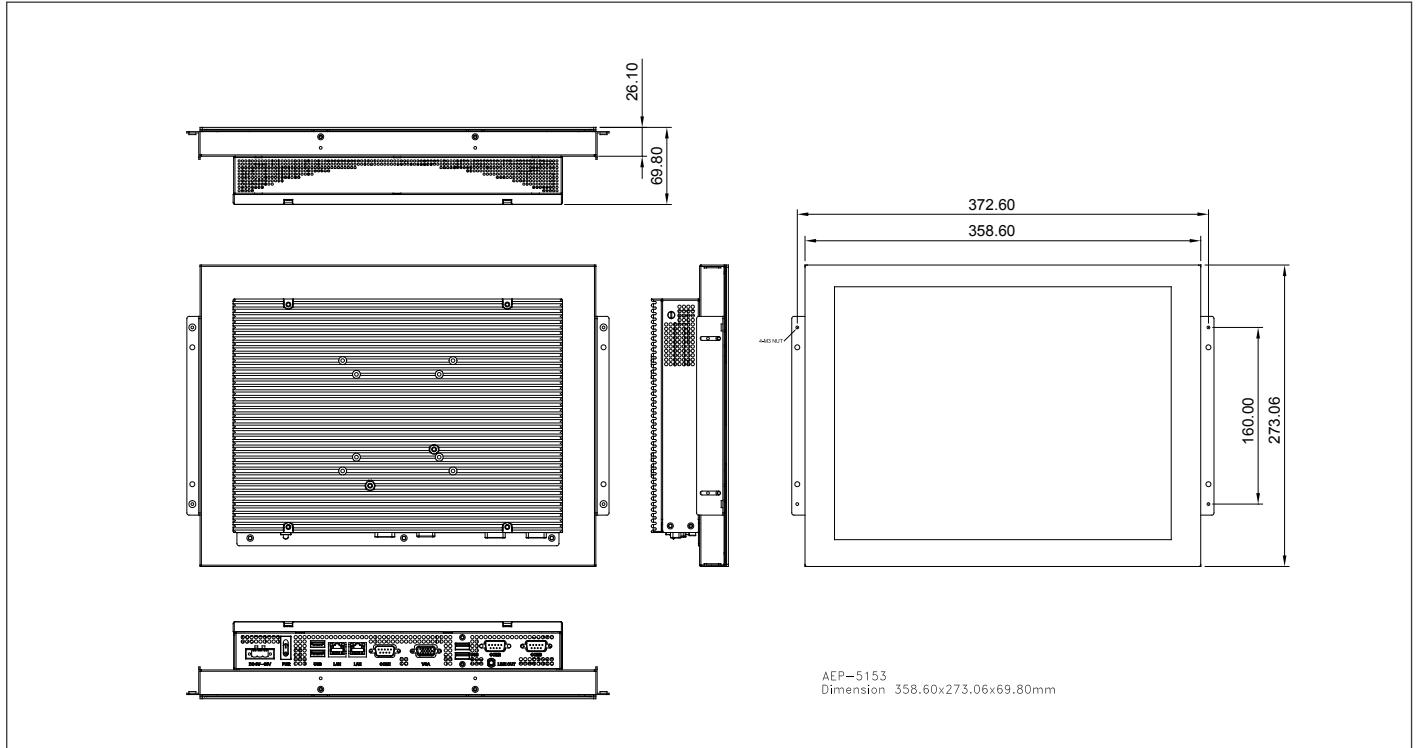
Specifications

System	
Processor	Intel® Atom™ D2550 processor, 1.86 GHz
System Memory	DDR 3 SODIMM up to 4 GB, default 2 GB
LCD/CRT controller	Integrated in Intel® NM10 chipset
Ethernet	10/100/1000Base-TX, RJ-45 x 2
I/O Port	RS-232 x 2, RS-232/422/485 x 1 USB 2.0 x 4 Line-out x 1 VGA out x 1 RJ-45 x 2 Power input 3-pins terminal block x 1 Power switch x 1
Storage Disk Drive	2.5" SATA HDD/ CFast™
Expansion Slot	Mini-PCIe card x 1
OS support	Windows® XP 32-bit, Windows® 7 32-bit, Linux Fedora
Mechanical	
Construction	Open frame
Mounting	VESA 75/100/ Panel mount
Dimension	14.12" x 10.75" x 2.75" (358.6mm x 273.1mm x 69.8 mm)
Carton Dimension	20.67"(W) x 18.31"(H) x 9.1"(D) (525mm x 465mm x 230mm)
Gross Weight	16.5 lb (7.48 kg)
Net Weight	13.17 lb (5.98 kg)
Environmental	
Operating Temperature	-4°F ~ 140°F (-20°C ~ 60°C) w/o airflow
Storage Temperature	-4°F ~ 158°F (-20°C ~ 70°C)
Storage Humidity	10%~90% @40°C, non-condensing
Vibration	1 Grms/ 5~ 500Hz/ operation – with HDD
Shock	20 G peak acceleration (11 msec. duration) – with HDD
EMC	CE/FCC class A
Power Supply	
DC Input	9~30V 3-pin terminal block
LCD	
Display type	15" TFT-LCD
Max Resolution	1024 x 768
Max. Colors	16.7M colors (6/8-bit for R,G,B)
Luminance	450 cd/m ²
Viewing Angle	160°(H), 140°(V)
Back Light	LED
Touch Screen	
Type	Projective capacitive multi-touch (2-point)
Light Transmission	88%

ACP-2153

Dimension

Unit: mm



Ordering Information

Part Number	Display Type	Max Resolution	Luminance	View Angle	Backlight MTBF (Hours)	CPU	LAN	USB	RS-232	RS-485/422/232	Storage	RAM	Display	Expansion	Mounting	Power	Temp.	Touch
ACP-2153HTT-A1-1013	15" TFT-LCD	1024 x 768	400 cd/m ²	160(H), 140V	50,000	D2550, 1.86 GHz	2	4	2	1	CFast™ kit x 1 SATA-HDD kit x 1	2 GB	VGA x 1	Mini-Card x 1	VESA 75/100 Panel Mount	DC 9-30V	-20°C ~ 60°C (w/o air)	Projective capacitive multi- touch (2-point)

Packing List

- Mounting Brackets and Screws
- Product CD
- ACP-2153

Optional Accessories

- **1255900841**
AC/DC Power Adapter, 12V 84W
- **1702031802**
Power Cord (US Type)
- **1702031803**
Power Cord (European Type)
- **170203180E**
Power Cord (Japanese Type)
- **9761215303**
Wireless Module (b/g/n)