

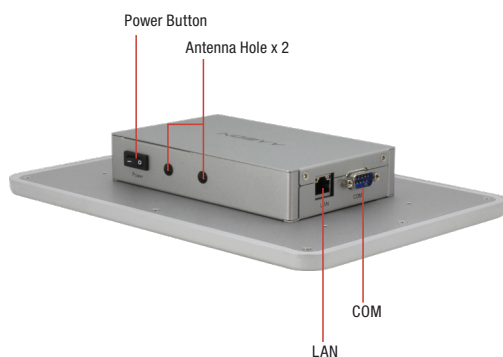
ACP-1108

10.1" WXGA Android Based Panel PC with Rockchip™ RK3568

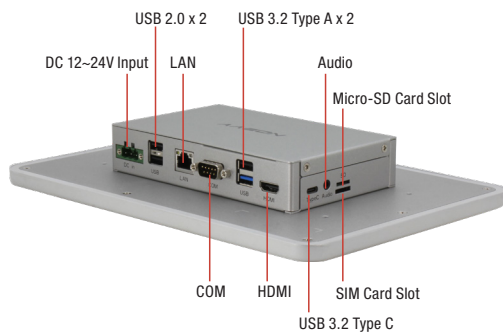
Front View



Top View



Bottom View



Features

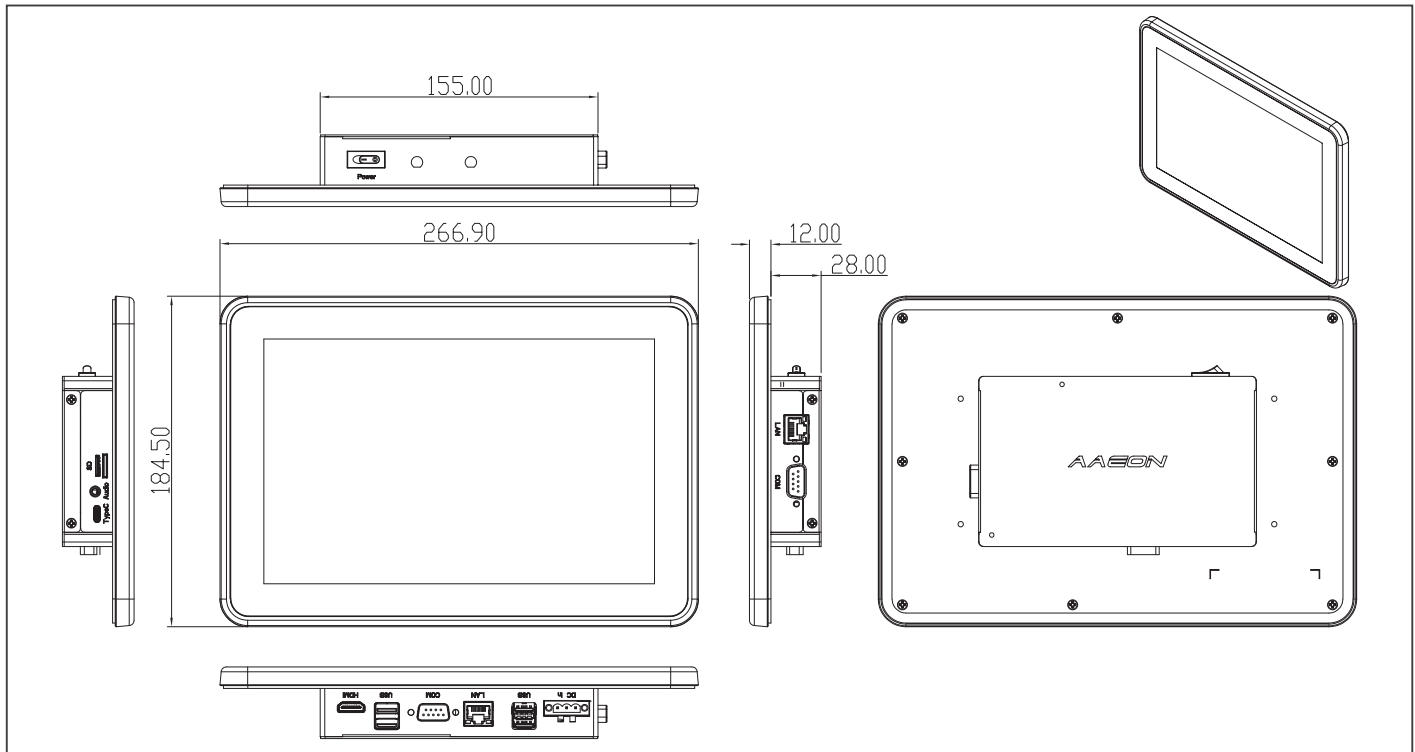
- 10.1" WXGA (1280 x 800) Color TFT LCD Display
- RICO-3568
- Projected Capacitive Touch Screen
- IP65 Compliant Aluminum Front Bezel
- Fanless System
- VESA/Panel Mount Support
- LAN x 2, COM x 2, USB 3.2 Gen1 (Type A) x 2, USB 2.0 x 2
- USB 3.2 Gen 1 (Type C) x 1
- HDMI x 1, Audio x 1
- Full-size Mini Card Slot x 1
- DC 12~24V



System	
Processor	Rockchip™ RK3568 Quad-Core Arm® Cortex®-A55 Processor
System Memory	LPDDR4 2GB/4GB (Optional)
LCD/CRT controller	—
Ethernet	10/100/1000 Base TX x 2
I/O Port	LAN x 2 COM x 2 USB 3.2 Gen 1 (Type-C OTG) x 1 (For System Recovery) USB 3.2 Gen 1 x 2 USB 2.0 x 2 HDMI x 1 Audio x 1
Storage Disk Drive	16GB eMMC and Micro-SD card
Expansion Slot	Full-size mini-PCIe slot x 1 (PCIe 3.0 [x1] or mSATA)
OS support	Android™ 12 / Debian
Mechanical	
Construction	Aluminum Front Bezel + Metal Chassis
Mounting	VESA / Panel Mount
Dimension	10.5" x 7.2" x 1.5" (266.9mm x 184.5mm x 40mm)
Carton Dimension	13.3" x 10.2" x 5.9" (339mm x 260mm x 152mm)
Gross Weight	3.5 lb. (1.6Kg)
Environmental	
Operating Temperature	23°F ~131°F (-5°C ~ 50°C) with 0.5 m/s airflow
Storage Temperature	-4°F ~ 140°F (-20°C ~ 60°C)
Storage Humidity	90% @40°C; non-condensing
Vibration	1Grms / 5~ 500Hz / operation
Shock	15 G peak acceleration (11 msec. duration)
EMC	CE/FCC Class A Compatible
Power Supply	
DC Input	DC 12~24V
LCD	
Display Type	10.1" WXGA (1280 x 800) Color TFT LCD Display
Max Resolution	1280 x 800
Max. Colors	262K colors (6 bit for R,G,B)
Luminance	300 nits
Viewing Angle	170° (H) ; 170° (V)
Back Light	LED
Back Light MTBF (Hours)	25,000 Hrs
Touchscreen	
Type	Projected Capacitive Multi-Touch
Light Transmission	90%

Dimension

Unit: mm



Packing List

- ACP-1108
- Panel Mount /Vesa Mount Kit
- Screw Pack

Optional Accessories

Part Number	Description
1255900603	Power Adapter
170X000799	Power Cord (US Type)
170X000800	Power Cord (European Type)
170X000803	Power Cord (Japanese Type)
M041073020	Stand Kit

Ordering Information

Part Number	Display Type	Resolution	Luminance	View Angle	Backlight MTBF	CPU	LAN	USB	RS-232	RS-232/422/485	Storage	RAM	Display	Expansion	Mounting	Power	Temp	Touch
ACP-1108HTT-A1-1010	10.1" TFT LCD	1280 x 800	300 cd/m ²	170°(H)/170°(V)	25,000	RICO-3568	2	4	1	1	32GB eMMC	LPDDR4 2GB	HDMI x1	Full Size MiniCard x1	VESA / Panel Mount	DC 12-24V	-5°C-50°C	Projected Capacitive Touch
ACP-1108HTT-A2-1010	10.1" TFT LCD	1280 x 800	300 cd/m ²	170°(H)/170°(V)	25,000	RICO-3568	2	4	1	1	32GB eMMC	LPDDR4 4GB	HDMI x1	Full Size MiniCard x1	VESA / Panel Mount	DC 12-24V	-5°C-50°C	Projected Capacitive Touch
ACP-1108HTT-A3-1010	10.1" TFT LCD	1280 x 800	300 cd/m ²	170°(H)/170°(V)	25,000	RICO-3568	2	4	1	1	32GB eMMC	LPDDR4 8GB	HDMI x1	Full Size MiniCard x1	VESA / Panel Mount	DC 12-24V	-5°C-50°C	Projected Capacitive Touch