

Features

- 15.6" WXGA (1366 x 768) TFT LED type LCD
- Multi-Touch Window Design (2-Point)
- IP65 Front Bezel & IPX1 Back Chassis
- 7H Anti-Scratch Surface
- Fanless Operation
- Easy To Clean

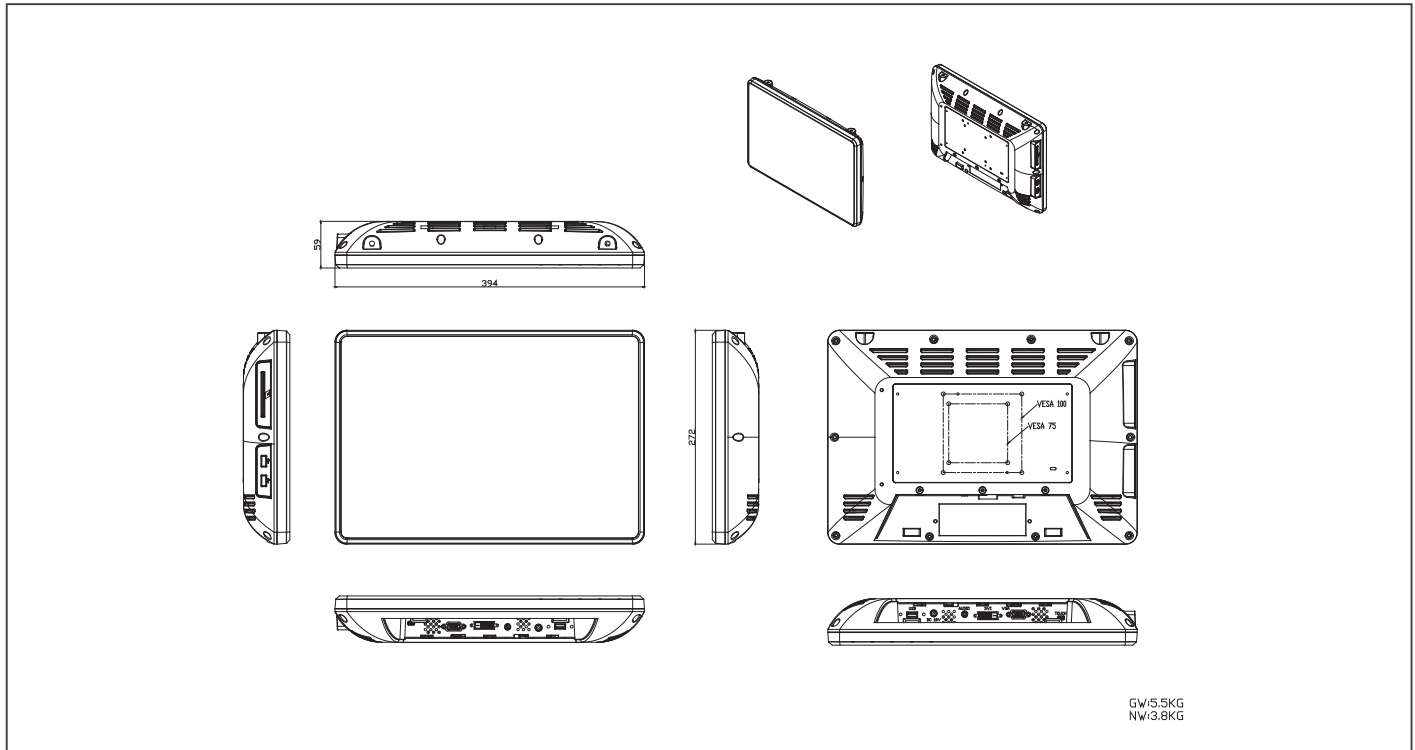


Specifications

System	
Input Signal	VGA/ DVI-D
On Screen Display Control	Auto, Menu, Up, Down, LCD On/Off
I/O Connector	USB x 3 (2 on side; 1 on rear), VGA/DVI x 1, Mini-USB x 1 (for T/S), Line-out x 1, 2W speaker x 2
OS Support	Windows® XP (T/S: single point), Linux Fedora (T/S: single point), Windows® 7 (T/S: multi-point)
Mechanical	
Construction	IP65/ NEMA4 for plastic front bezel, IPX1 for plastic chassis
Mounting	VESA 75/100
Dimension	15.51" x 10.71" x 2.32" (394mm x 272mm x 59mm)
Carton Dimension	20.47" x 18.5" x 9.06" (520mm x 470mm x 230mm)
Gross Weight	11.02 lb (5 kg)
Net Weight	6.6 lb (3 kg)
Environmental	
Operating Temperature	32°F ~ 104°F (0°C ~ 40°C)
Storage Temperature	-4°F ~ 140°F (-20°C ~ 60°C)
Storage Humidity	10~95% @ 40°C, non-condensing
Vibration	1 Grms/ 5~500Hz/ random operation
Shock	15 G peak acceleration (11 msec. duration)
EMC	CE/FCC class A
Power Supply	
DC Input	DC 12V, with lockable power adapter
LCD	
Display Type	15.6" TFT-LCD, LED type
Max. Resolution	1366 x 768
Max. Colors	16.7M colors (6/8-bit for R,G,B)
Luminance	400 cd/m ²
Viewing Angle	160° (H)/140° (V)
Back Light	LED
Back Light MTBF (Hours)	50,000
Touchscreen	
Type	Projected capacitive multi-touch (2-point)
Light Transmission	90%

Dimension

Unit: mm



Ordering Information

Part Number	Display Type	Max. Resolution	Luminance	View Angle	Backlight MTBF (Hours)	Display	Mounting	Power	Temp.	Touch	Other
TF-ACD-515DHTT-A2-1013	15.6" TFT-LCD	1366 x 768	400 cd/m ²	160°(H), 140°(V)	50,000	VGA x 1 DVI x 1	VESA 75/100/Wall	DC 12V	0°C ~ 40°C (w/o air)	Projected Capacitive multi-touch (2-point)	—

Packing List

- VGA Cable
- USB Cable
- Audio Plug Cable
- AC/DC 12V Power Adapter with Lock
- ACD-515D

Optional Accessories

- **1700151806**
VGA Cable, 180cm
- **1709051000**
Mini-USB to USB type A for Touch Screen
- **1700091800**
DB-9, 180cm, RS-232 For Touch Screen
- **1702031802**
Power Cord (US Type)
- **1702031803**
Power Cord (European Type)
- **170203180E**
Power Cord (Japanese Type)
- **ARM-WK075-0**
Wallmount kit