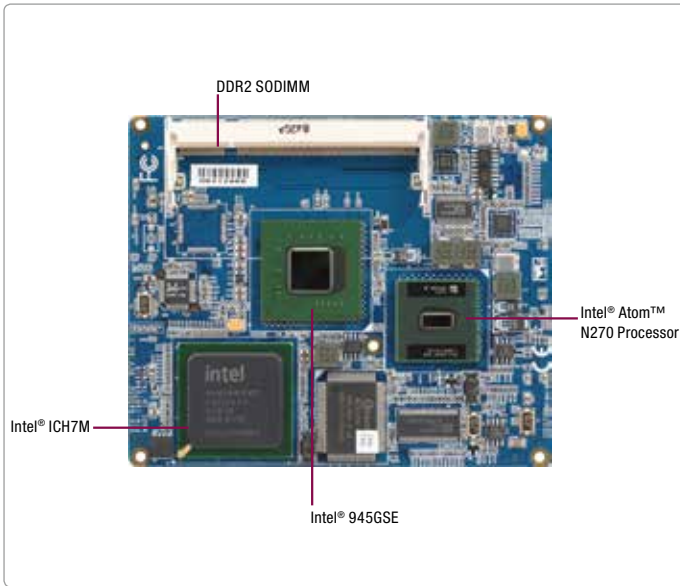


XTX-945GSE

XTX CPU Module With Onboard Intel® Atom™ N270 Processor



Features

- Onboard Intel® Atom™ N270 Processor
- Intel® 945GSE + ICH7M
- DDR2 400/533MHz SODIMM x 1, Up to 2 GB
- 10/100Base-TX Ethernet
- CRT, Up to 24-bit Dual-channel LVDS LCD, SDVO Connector
- AC97 2.3 Codec 2CH Audio
- PATA x 1, SATA 3.0Gb/s x 2
- USB2.0 x 6
- PCI-Express [x1] x 4
- +5V Only Operation



Specifications

System	
Form Factor	XTX
Processor	Onboard Intel® Atom™ N270 Processor 1.6 GHz, FSB 533 MHz
System Memory	200-pin DDR2 400/533MHz SODIMM x 1, up to 2GB
Chipset	Intel® 945GSE + ICH7M
I/O Chipset	Winbond W83627HG
Ethernet	Intel® EP82562ET, 10/100Base-TX
BIOS	Award, SPI type, 2 MB ROM
Wake On LAN	Yes
Watchdog Timer	Generates a time-out system reset
H/W Status Monitoring	Supports power supply voltages, fan speed and temperature monitoring
Expansion Interface	PCI-Express [x1] x 4 32-bit PCI x 4 LPC bus x 1 SM Bus x 1 I2C x 1
Power Requirement	+5V DC
Power Consumption (Typical)	Atom™ N270 1.6 GHz, DDR2 667 2 GB 0.44A@+12V, 2.60A@+5V W/ TF-ECB-910M-A10-01
Board Size	4.5" (L) x 3.74" (W) (114mm x 95mm)
Gross Weight	0.66 lb (0.3 Kg)
Operating Temperature	32°F ~ 140°F (0°C ~ 60°C)
Storage Temperature	-40°F ~ 176°F (-40°C ~ 80°C)
Operating Humidity	0% ~ 90% relative humidity, non-condensing
MTBF (Hours)	104,000
Display	
	Supports CRT/LCD Simultaneous/ dual view displays
Chipset	Intel® 945GSE integrated
Memory	Shared system memory up to 224 MB/ DVMT3.0
Resolutions	Up to 2048 x 1536 (QXGA) for CRT Up to 1600 x 1200 (UXGA) for LCD
LCD Interface	18-bit dual-channel LVDS (TF-XTX-945GSE-A11) 24-bit dual-channel LVDS (TF-XTX-945GSE-A11-01)
SDVO Port	SDVO x 1 for TF-XTX-945GSE-A11
I/O	
Storage	PATA x 1 (two devices), SATA 3.0Gb/s x 2
Serial Port	2
Parallel Port	1
USB	USB2.0 x 6
PS/2 Port	Keyboard x 1, Mouse x 1
IrDA	One IrDA Tx/Rx header
Audio	Mic-in, Line-in, Line-out

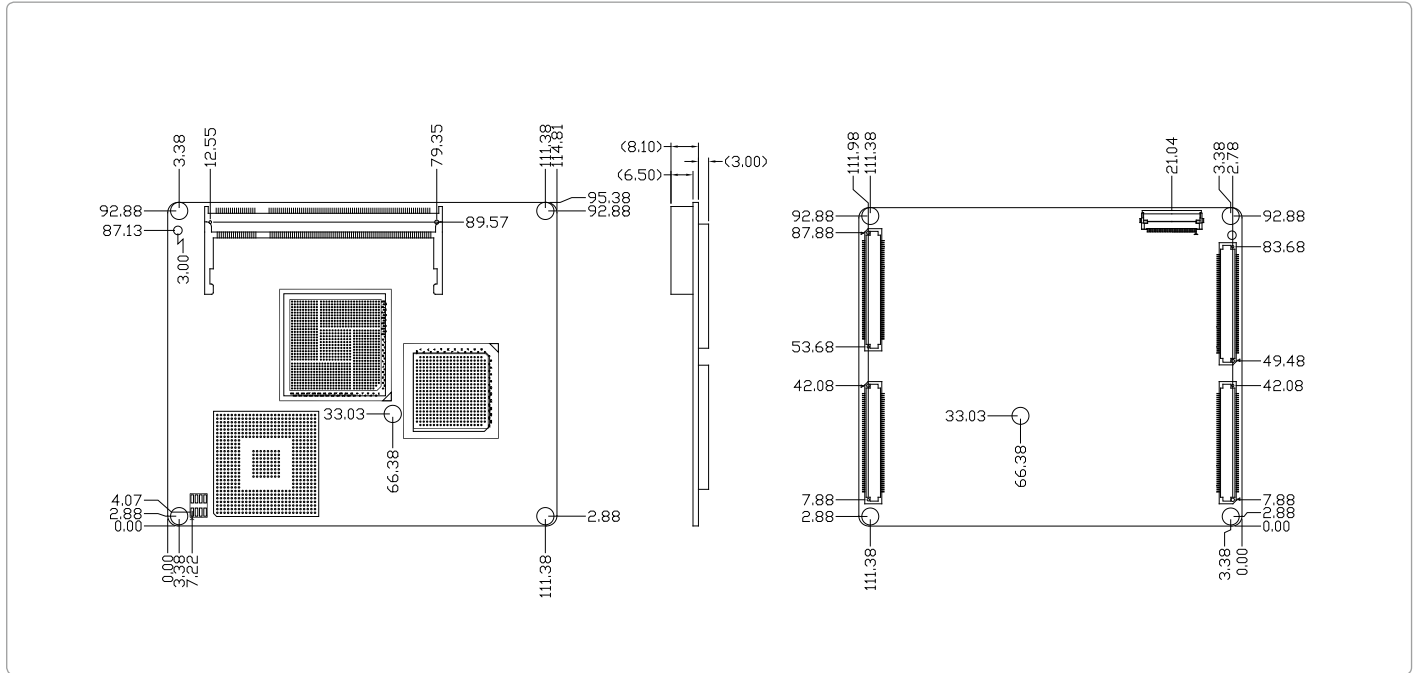
Packing List

- M2.5 Screw x 4
- Product CD
- XTX-945GSE

XTX-945GSE

Dimension

Unit: mm



Ordering Information

Part Number	CPU	Memory	Display	LVDS	Storage	LAN	USB2.0	KB/MS	UART	LPT	Expansion Slot	Power	Temp
TF-XTX-945GSE-A11	Intel® Atom™ N270/1.6G	DDR2 SODIMM x 1, up to 2GB	CRT, LVDS, SDVO	18b, 2CH	SATA2 x 2 PATA x 1	FE x 1	6	1	2	1	PCI-E [x1] x 4 32-bit PCI x 4	5V	0°C-60°C
TF-XTX-945GSE-A11-01	Intel® Atom™ N270/1.6G	DDR2 SODIMM x 1, up to 2GB	CRT, LVDS, SDVO	24b, 2CH	SATA2 x 2 PATA x 1	FE x 1	6	1	2	1	PCI-E [x1] x 4 32-bit PCI x 4	5V	0°C-60°C

Optional Accessories

- TF-ECB-910M-A10-01**
 XTX Carrier Board, LAN, Audio, 4 COM, USB, PCI-E, 2 SATA 2, TPM, AT/ATX, Rev. A1.0 (For XTX-945, XTX-945GSE)
- TF-PER-A047**
 Passive Heatsink, for XTX-945/XTX-945GSE Onboard CPU
- TF-PER-A049**
 Heat Spreader Kit, for XTX-945/XTX-945GSE/ETX-945GSE Onboard CPU