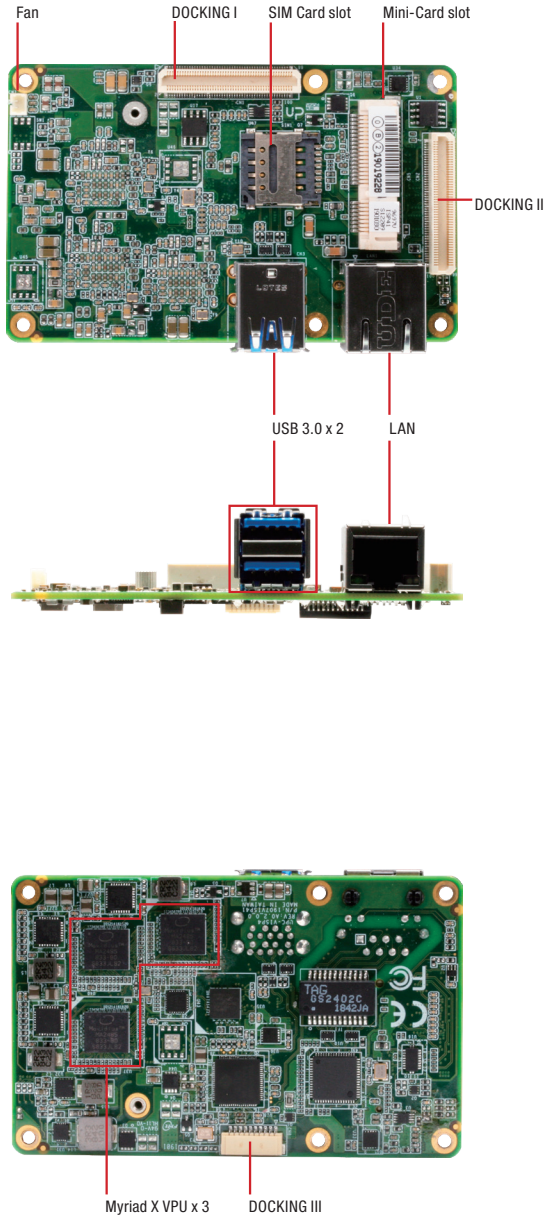


Vision Plus X

Vision accelerator with 3 x Intel® Movidius™ Myriad™ X VPU for UP Core Plus



Features

- Intel® Movidius™ Myriad™ X VPU x 3
- Intel® Vision Accelerator Design SW SDK
- Supported Framework: TensorFlow, Caffe, MXNET
- Ubuntu 16.04, Windows® 10
- USB3.0 Type A x 2
- Gigabit LAN x 1
- Mini-Card (Full-sized) x 1



Specifications

| System | |
|-----------------------------|--|
| VPU | Intel® Movidius™ Myriad™ X VPU x 3 , MA2485 |
| Ethernet | Intel® WGI211AT PCI-E Gigabit Ethernet x 1 |
| Power Requirement | 12V5A |
| Power Supply Type | 12VDC from M/B |
| Power Consumption (Typical) | Max 25W |
| Dimensions (L x W) | 3.54" x 2.2" (90 mm x 56 mm) |
| Operating Temperature | 32°F ~ 140°F (0°C ~ 60°C) |
| Operation Humidity | 10 ~ 80% relative humidity, non-condensing |
| Certification | CE/FCC Class B |
| OS Support | Microsoft Windows 10 Linux: ubilinux, Ubuntu, Yocto Android-IA 9.0 |
| I/O | |
| Ethernet | RJ45 x 1 (Intel WGI211AT PCI-E Gigabit Ethernet) |
| USB | USB 3.0 Type A x 2 |
| SATA | — |
| Expansion Slot | mPCIe Slot (Full Size) (SATA/USB/PCIe) x 1 SIM Card Slot x 1 DOCKING I (2x I2C) DOCKING II (3x PCIe.G2, 1x USB3.0, 1x SATA, 2x USB 2.0) |

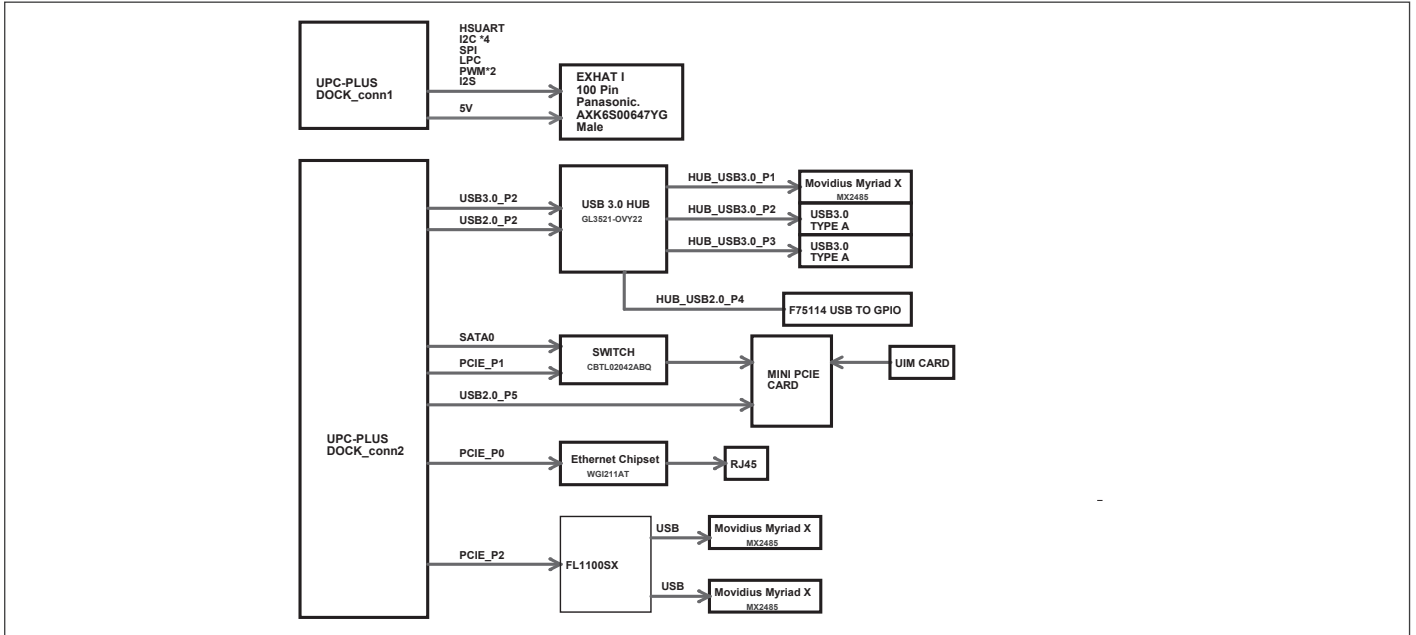
Packing List

- Adapter Board i x 1
- Adapter Board ii x 1
- Heatsink x 1
- Standoff x 6
- Screw x 6
- UP Vision Plus X x 1

Ordering Information

| Part Number | Description |
|----------------------|---|
| UPCP-CR-VPX3-A10-001 | Vision Plus X, w/ 3x Myriad™ X 2485, fan heatsink, REV.A1.0 |

Block Diagram



Dimension

Unit: mm

