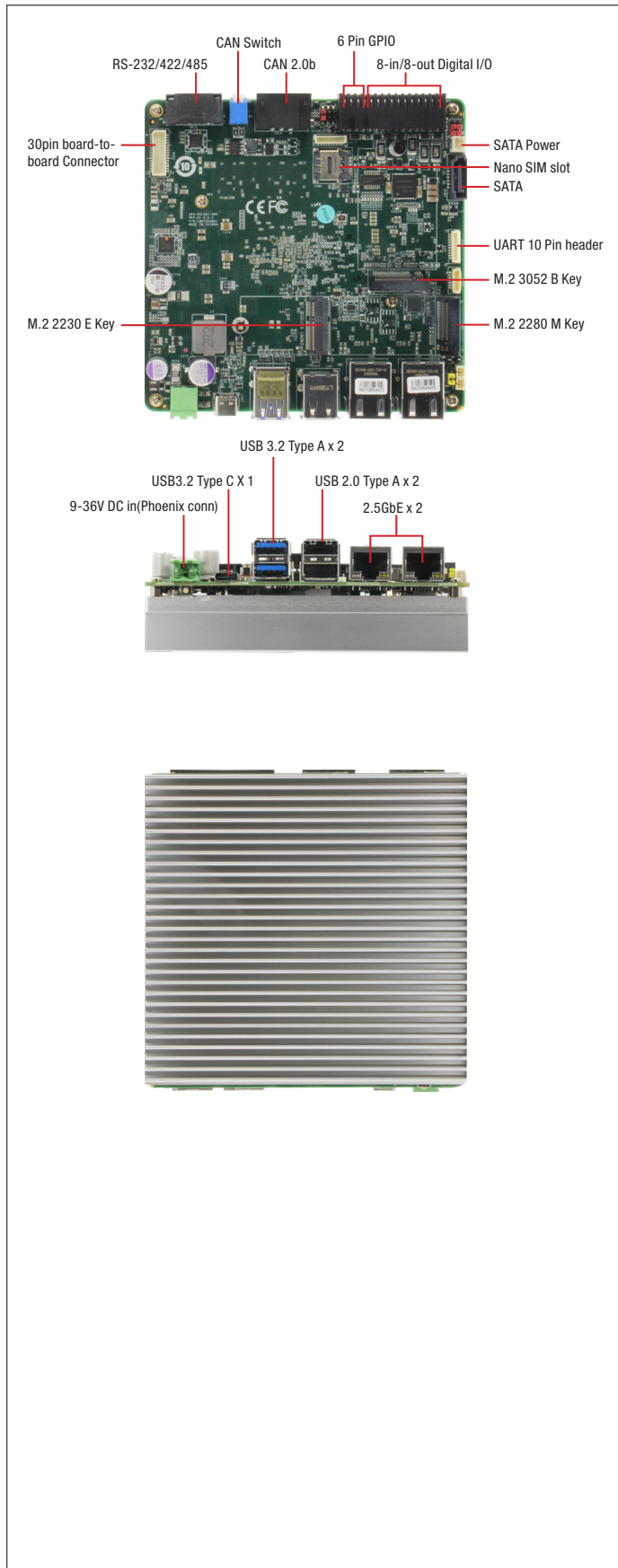


# UP Xtreme 7100

UP Xtreme 7100 Developer Board with Intel® Processor N-series Processor



## Features

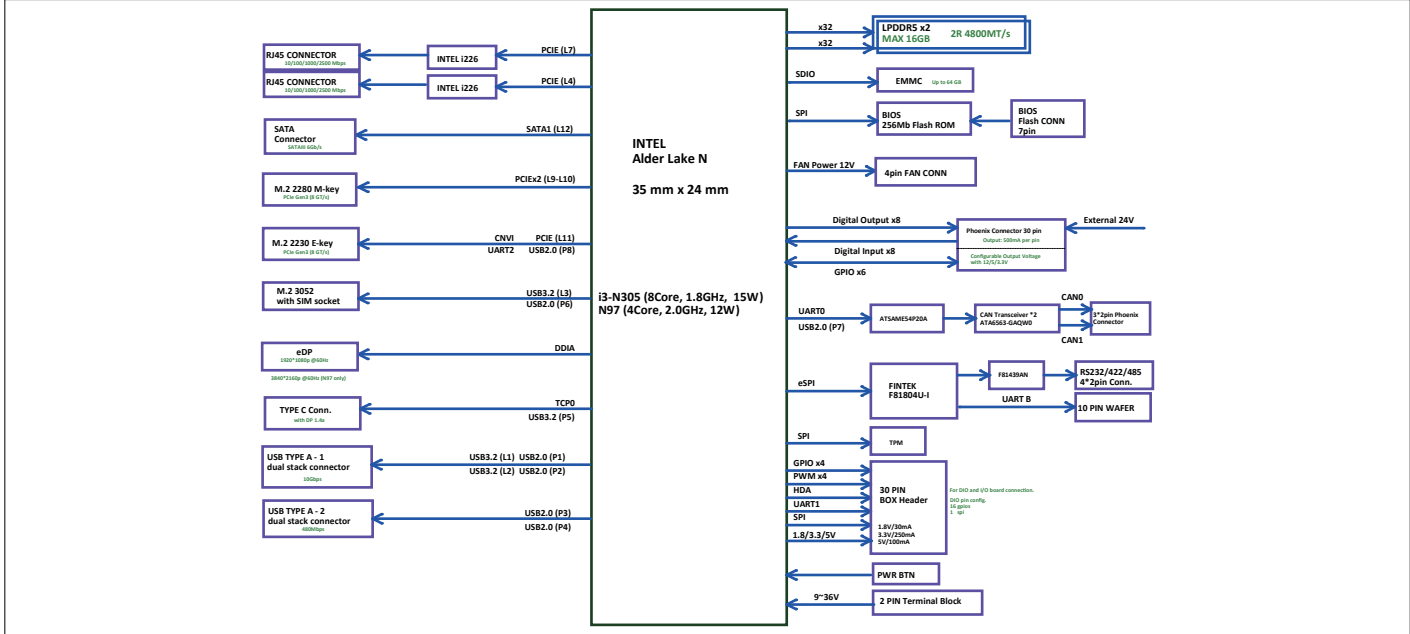
- Intel® Processor N-series, and Intel® Core™ i3-N305 Processor
- Low power consumption
- 2.5GbE x 2 (Intel® I226-IT)
- 2-channel CAN 2.0B x 1
- Watchdog timer, Onboard TPM 2.0
- DIO/GPIO via Terminal Block
- Cable-free design
- Wide 9V~36V power input
- Fanless design



## Specifications

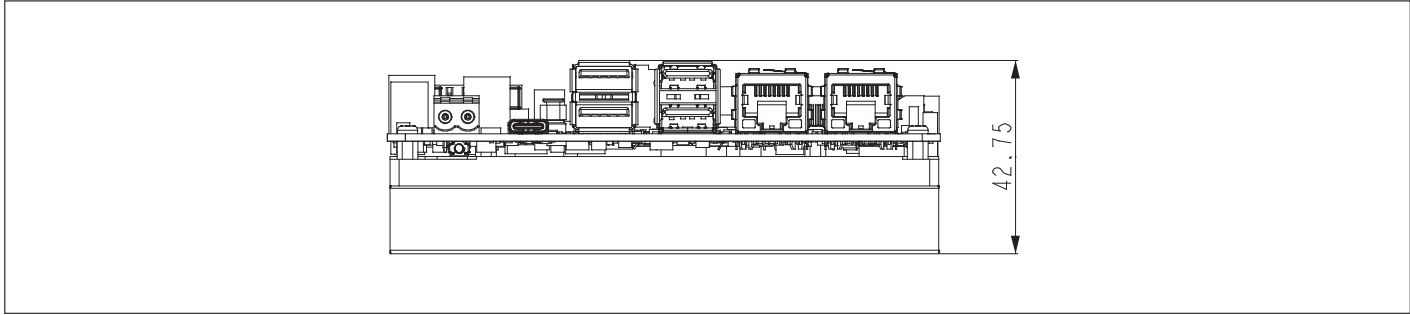
System	
Processor	Intel® Processor N97 Intel® Core™ i3-N305
Graphics	Intel® UHD Graphics Gen 12
Memory	Up to 16GB LPDDR5
Storage	Up to 64GB onboard eMMC M.2 2280 M-Key x 1 (PCIe Gen 3 [x2]) SATA 6Gb/s x 1
I/O	RS-232/422/485 x 1 (Terminal Block) (Default RS232) 30pin board-to-board Connector x 1 UART x 1 (via 10 Pin Header x 1)
Camera	—
USB	USB 2.0 (Type A) x 2 USB 3.2 Gen 2 (Type A) x 2 USB 3.2 Gen 2 (Type C) x 1 (Supports DP alt mode)
Expansion	M.2 3052 B-Key x 1 with Nano SIM slot (USB 3.0) M.2 2230 E-Key x 1 (USB 2.0/PCIe) M.2 2280 M-Key x 1 (PCIe Gen 3 [x2]) 24V 8-in/8-out Digital I/O x 1 via Terminal Block (Output current: 500mA per channel) 6 pin GPIO x 1 via Terminal Block 6 pin 2-channel CAN 2.0B x 1 via Terminal Block (10 ~ 1000 kbps) DIP Switch for CANBus function x 1 CAN LED indicator x 2 SATA 6Gb/s x 1
Display Interface	DP 1.4a x 1 (via USB Type-C) eDP 1.3 x 1
Ethernet	2.5GbE x 2 (Intel® I226-IT)
Security	Onboard TPM 2.0
RTC	Yes
OS Support	Ubuntu 22.04 LTS (kernel 5.15 and kernel 5.19)
Power Requirement	
Power	9-36V
Power Supply Type	AT/ATX (AT as default)
Power Consumption (Typical)	52W~55W
Mechanical	
Dimension	4.74" x 4.82" (120.35mm x 122.5mm)
Net Weight	1.11.lb (0.5kg)
Gross Weight	1.76 lb (0.8kg)
Environment	
Operating Temperature	With Heatsink: -4°F ~ 158°F (0°C ~ 60°C)/0.5m/s airflow
Operation Humidity	0% ~ 90% relative humidity, non-condensing
MTBF	421,998
Certification	CE/FCC Class A, RoHS Compliant, REACH

## Block Diagram



## Dimension

Unit: mm



## Packing List

- UPX-ASL01 with heatsink
- DC in Phoenix Connector x 1
- RS232/422/485 Terminal Block x 1
- DIO/GPIO Terminal Block x 2
- CAN Terminal Block x 1
- Stud x 4

## Ordering Information

Part number	CPU	Memory	Storage
UPX-ASLN97-A10-0864	N97	8GB	64GB
UPX-ASLN13-A10-1664	i3-N305	16GB	64GB

## Optional Accessories

Part Number	Description
1255X00091	12VDC/6A Adapter
1702031803	Power cord for EU
1702031802	Power cord for US
170203180J	Power cord for UK
170203180E	Power cord for Japan
170203180B	Power cord for China
1702031811	Power cord for Taiwan
1709070500	SATA cable
1702150155	SATA power cable (15cm)
1702150306	SATA power cable (30cm)