

## Features

- Intel® Core™ processors (Series 3)
- Onboard LPDDR5 Memory, up to 24GB
- Onboard UFS Storage, up to 256GB
- 2.5GbE x 1
- HDMI 2.1 (TMDS) x 1
- USB 3.2 (Type-A) x 3
- 10-pin GPIO x 1
- 12V DC-in, 5A

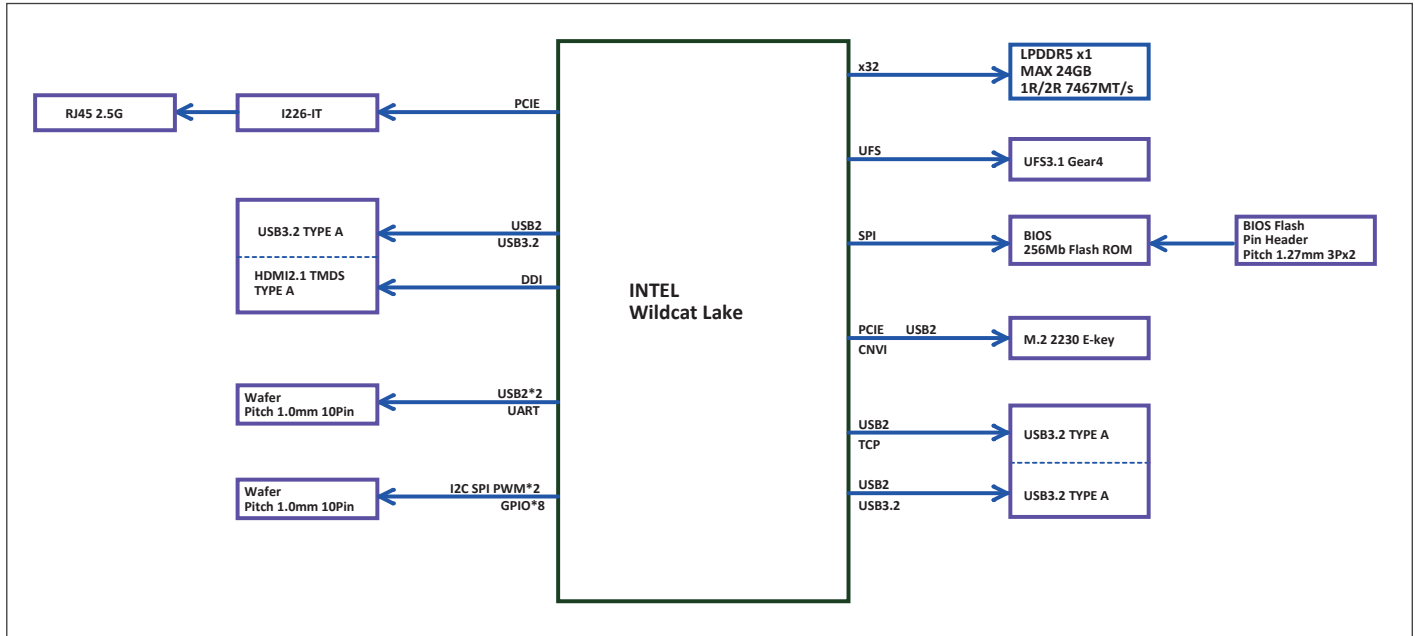


## Specifications

System	
Processor	Intel® Core™ 7 processor 350 Intel® Core™ 5 processor 320 Intel® Core™ 3 processor 304 (formerly Wildcat Lake)
Graphics	Intel® Graphics
Memory	Up to 24GB LPDDR5
Storage	Up to 256GB UFS
I/O	HDMI 2.1 (TMDS) x 1 3.3V I2C x 2 + PWM x 2 + SPI x 2 via 10-pin Wafer GPIO x 8 via 10-Pin Wafer
Camera	—
USB	10-pin Header x 1 (USB 2.0 x 2 / UART x 1) USB 3.2 Gen 2 (Type-A) x 3
Expansion	M.2 2230 E-Key x 1
Display Interface	HDMI 2.1 (TMDS) x 1
Ethernet	2.5GbE, RJ-45 x 1
Security	TPM 2.0 support (fTPM)
RTC	Yes
OS Support	Windows® 11 LTSC Ubuntu 24.04 LTS
Power Requirement	
Power	12V DC-in, 5A
Power Supply Type	AT/ATX
Power Consumption (Typical)	30~36W
Mechanical	
Dimension	3.34" x 2.20" (85mm x 56mm)
Net Weight	0.33 lb. (0.15Kg)
Gross Weight	0.44 lb. (0.20Kg)
Environment	
Operating Temperature	-4°F ~ 140°F (-20°C ~ 60°C) with active cooler
Operation Humidity	0% ~ 90% relative humidity, non-condensing
MTBF	TBD
Certification	CE/FCC Class A, RoHS Compliant, REACH

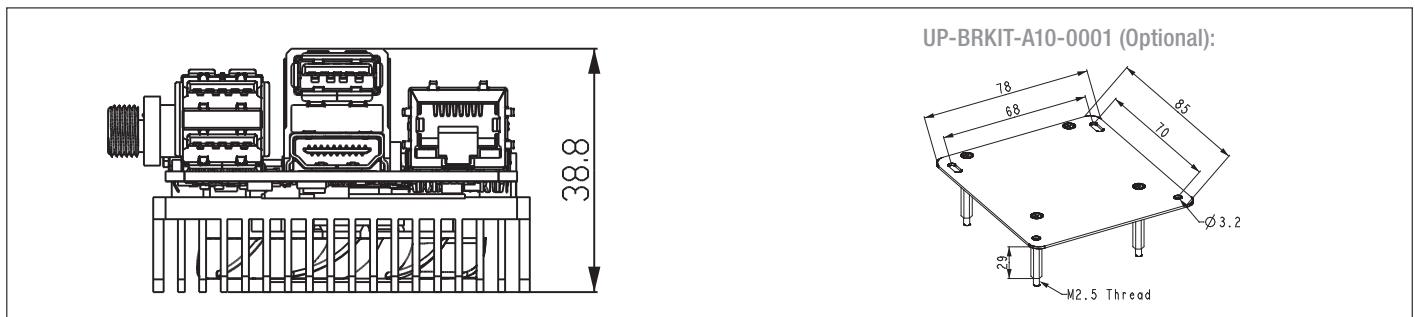


## Block Diagram



## Dimension

Unit: mm



UP-BRKIT-A10-0001 (Optional):

## Ordering Information

Part Number	CPU	Memory	Storage	Operating Temp.	Cooling
UP-WCL01-A10-350-16128	Intel® Core™ 7 processor 350	16GB	128GB	-20°C ~ 60°C	Active cooler
UP-WCL01-A10-320-16128	Intel® Core™ 5 processor 320	16GB	128GB	-20°C ~ 60°C	Active cooler
UP-WCL01-A10-320-08128	Intel® Core™ 5 processor 320	8GB	128GB	-20°C ~ 60°C	Active cooler
UP-WCL01-A10-304-0864	Intel® Core™ 3 processor 304	8GB	64GB	-20°C ~ 60°C	Active cooler

## Optional Accessories

Part Number	Description
170010015G	UART to USB cable
1702030200	Power cable (Phoenix type to lockable DC5.5*2.5 Jack),20cm

## Packing List

- UP WCL with Active Cooler