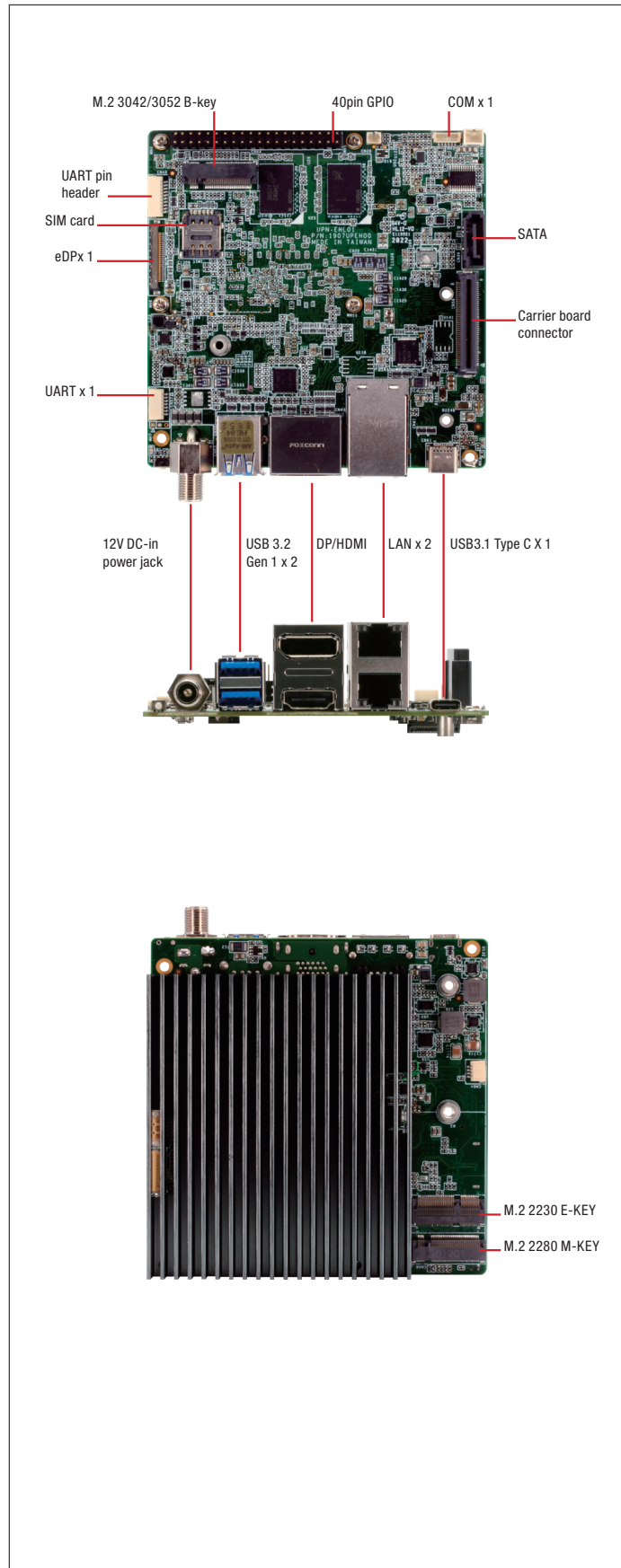


Intel® Atom™ X6000E Series and Intel Pentium® and Celeron® N and J Series Processor (formerly Elkhart Lake)



## Features

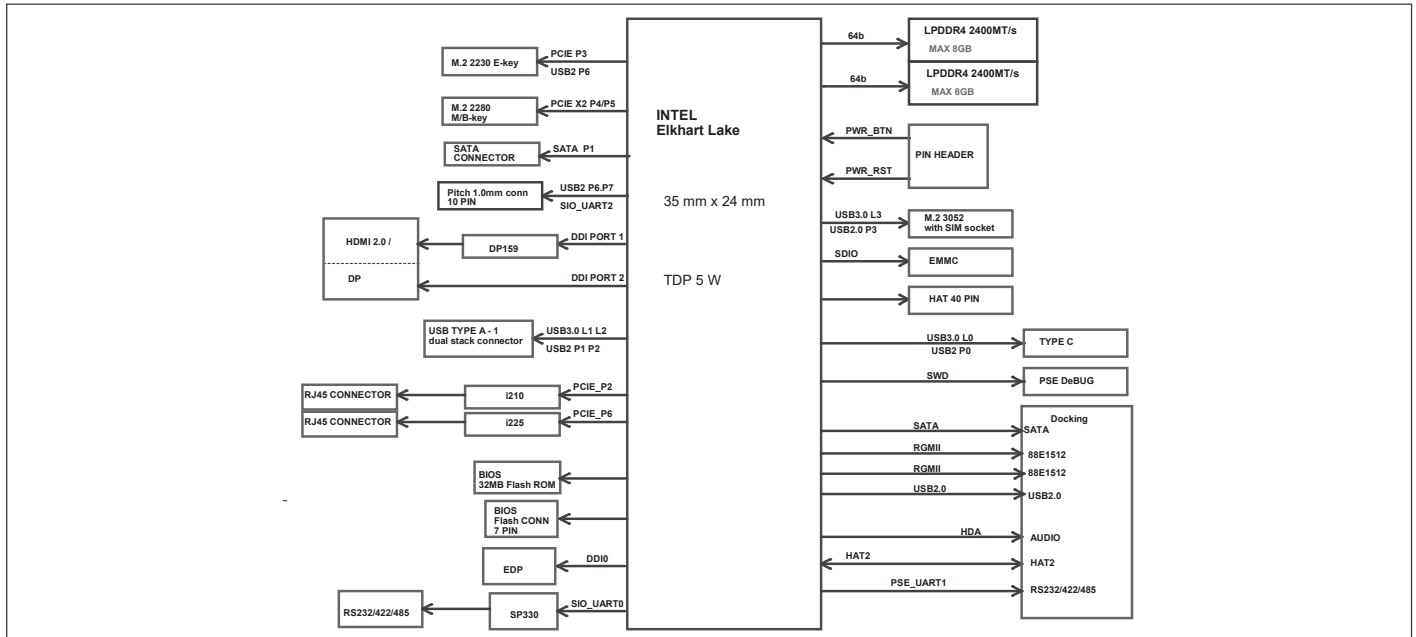
- Intel® Atom™ X6000E Series and Intel Pentium® and Celeron® N and J Series Processor(formerly Elkhart Lake)
- Gigabit LAN x 2, USB 3.2 Gen 1 (Type A) x 2
- 12 VDC-in, 5A
- 40 pin GPIO x 1
- DP/eDP/HDMI x 1
- M.2 2230 E-key x 1
- M.2 2280 M-key x 1
- SATA3 x 1
- M.2 3042/3052 B-key x 1



## Specifications

System	
Processor	Intel® Atom™ X6000E Series and Intel Pentium® and Celeron® N and J Series Processor(formerly Elkhart Lake)
Graphics	Intel® Graphics, GEN 11
I/O	HDMI x 1 DP x 1 COM port(RS232/422/485) x 1 DC connector x1 Audio Jack x1 on carrier board mPCIe x1 on carrier board
Camera	
USB	2 x USB3.2 Gen1 Connector 1 x USB3.2 Gen1 TYPE C Connector for 1 ports (OTG support)
Expansion	1 x M.2 2230 E Key (1x PCIe1, 1x USB2.0) bottom 1 x M.2 2242/2280 M Key (1 x PCIe) 1 x M.2 3042/3052 B Key (1xUSB3.0)
RTC	Yes
Power	12V
Dimension	10.16cm x 10.16cm
Memory	up to 16G
Storage	eMMC up to 64GB
Display Interface	HDMI x 1 DP 1.2 x 1 eDP x 1
Ethernet	Gb Ethernet (full speed) RJ-45 x 2 Gb Ethernet (full speed) RJ-45 x 2 on carrier board
TPM	TPM2.0
OS Support	Win 10/ 10 IoT Core Linux: Ubuntu 18.04 and 20.04, Yocto 3.1
Operating Temperature	32°F ~ 140°F (0°C ~ 60°C)
Operation Humidity	0% ~ 90% relative humidity, non-condensing
Certification	CE/FCC Class A, RoHS Compliant, REACH

### Block Diagram



### Dimension Unit: mm



### Ordering Information

- TBD

### Packing List

- TBD

### Optional Accessories

- TBD