

Features

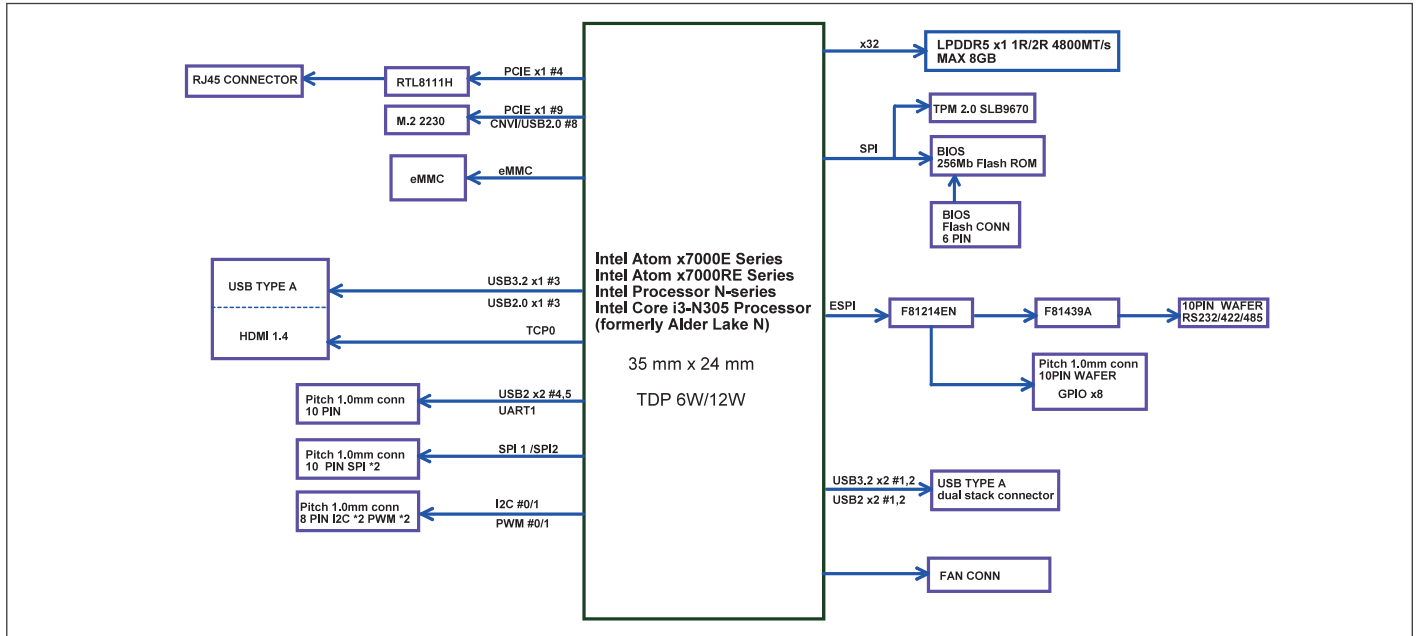
- Intel® Processor N-series
- Onboard LPDDR5 Memory, up to 8GB
- Onboard eMMC Storage, up to 128GB
- Gb Ethernet (full speed) RJ-45 x 1
- HDMI 1.4b x 1
- USB 3.2 Type A x 3
- M.2 2230 E-Key x 1
- 12V DC-in, 5A
- TPM 2.0



Specifications

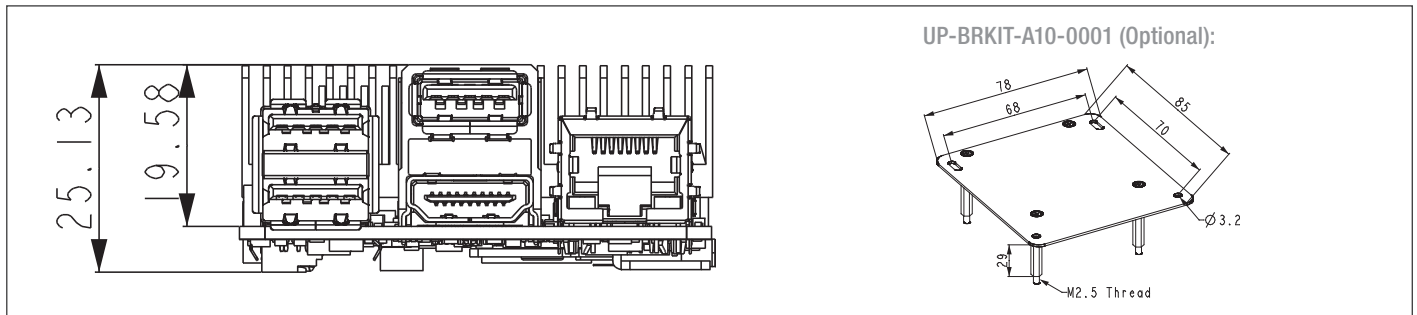
| System | |
|-----------------------------|---|
| Processor | Intel® Processor N200 Intel® Processor N97 Intel® Processor N100 Intel® Processor N50 (formerly Alder Lake-N) |
| Graphics | Intel® UHD Graphics for 12th Gen Intel® Processors |
| Memory | Up to 8GB LPDDR5 |
| Storage | Up to 128GB eMMC |
| I/O | HDMI 1.4b 3.3V I2C x 2+PWM x 2 via 8-Pin wafer 3.3V SPI x 2 via 10-Pin wafer GPIO x 8 via 10-Pin wafer RS232/422/485 x 1 via 10-Pin wafer |
| Camera | — |
| USB | USB 2.0 x 2 (from 10 pin wafer x 1) USB 3.2 Gen 2 Type A x 3 |
| Expansion | M.2 2230 E-Key x 1 |
| Display Interface | HDMI 1.4b x 1 |
| Ethernet | Gb Ethernet (full speed) RJ-45 x 1 |
| Security | Onboard TPM 2.0 |
| RTC | Yes |
| OS Support | Microsoft Windows 10/11 Ubuntu 22.04 LTS Yocto 5.1 |
| Power Requirement | |
| Power | 12V DC-in, 5A |
| Power Supply Type | AT / ATX |
| Power Consumption (Typical) | 30~36W |
| Mechanical | |
| Dimension | 3.34" x 2.20" (85mm x 56mm) |
| Net Weight | 0.33 lb. (0.15Kg) |
| Gross Weight | 0.44 lb. (0.20Kg) |
| Environment | |
| Operating Temperature | 32°F ~ 140°F (0°C ~ 60°C) / 0.5 airflow |
| Operation Humidity | 0% ~ 90% relative humidity, non-condensing |
| MTBF | 685,218 Hours |
| Certification | CE/FCC Class A, RoHS Compliant, REACH |

Block Diagram



Dimension

Unit: mm



Ordering Information

| Part Number | CPU | Core | TDP | Memory | Storage |
|-----------------------|-----------------------|------|-----|--------|---------|
| UP-ASL02N100-A10-0432 | Intel® Processor N100 | 4 | 6W | 4GB | 32GB |
| UP-ASL02N100-A10-0864 | Intel® Processor N100 | 4 | 6W | 8GB | 64GB |
| UP-ASL02N97-A10-0864 | Intel® Processor N97 | 4 | 12W | 8GB | 64GB |

Optional Accessories

| Part Number | Description |
|-------------|-------------------|
| 1701100180 | COM Cable |
| 170010015G | UART to USB cable |

Packing List

- UP 710S with Passive Heatsink