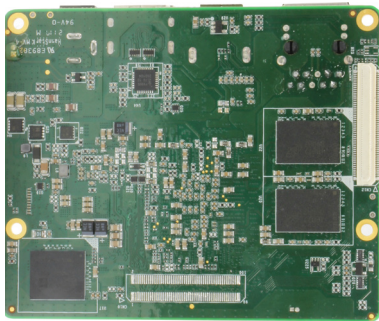
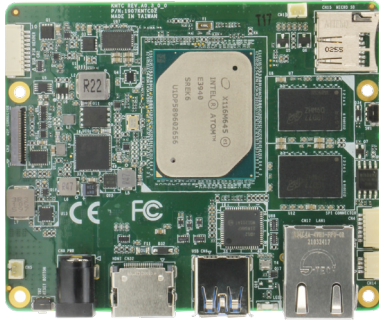


Standard IoT Gateway System with Intel Atom X5-E3940 Processor SoC



Features

- Intel Atom X5-E3940 Quad Core 1.6GHz
- Onboard LPDDR4 4 GB / eMMC 32G
- Built-in Micro SD Card Slot x 1
- HDMI output x1
- Gigabit Ethernet RJ-45 x 1 LAN port
- USB 3.0 x 1
- 2 x 100 pin board to board connector



DI/DO	—
CAN Bus	—
Display	HDMI 1.4 x 1 (Output)
Power Connector	DC Jack
Debug Port	—
Expansion Slot	Micro SD slot x 1 100 pin board to board connector x 2 PCIe, USB3.0, USB2.0, UART, GPIO, I2C, DDI, SPI
Other Interface	Power switch button x 1 Reset switch button x 1
Power Supply	
Power Requirement	12V DC-In @ 3A-5A 5.5/2.1 mm
Power Consumption	20 W (Full Loading)
MTBF (Hours)	—
Environmental and Mechanical	
Dimension	3.54" x 2.9" x 0.85" (90 x 74 x 21.5 mm)
Weight	200 g
Mount Options	—
Operation Temperature	32 °F ~ 140 °F (0 °C ~ 60 °C)
Storage Temperature	-40 °F ~ 176 °F (-40 °C ~ 80 °C)
Operation Humidity	10% ~ 95% relative humidity, non-condensing

Packing List

- SRT-APLC

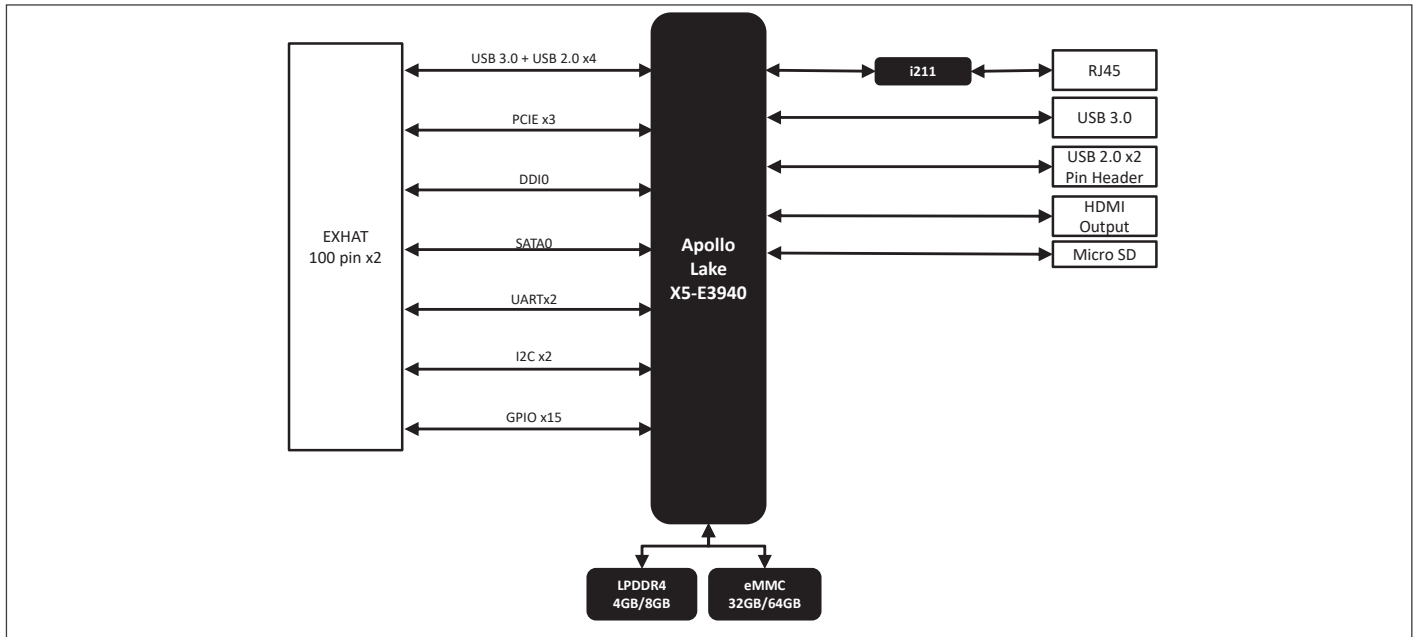
Optional Accessories

- **1255300409**
Power Adapter.AC input 90~264V.DC output 12v/3.34A.
- **1702031802**
POWER CORD.3P-125V 10A 180D.1.8M.U.S.A.FANJET. YP12/YC-12
- **1702031803**
POWER CORD.3P-250V 10A 180D.1.8M.EU.FAN-JET. YP-22/YC-12
- **170203180J**
POWER CORD.3P-250V 13A.UK type.1830mm
- **1702031811**
POWER CORD.3P-125V.10A.180D.1.8M.TWN/BSMI. FANJET.YP-12/YC-12
- **170203180E**
Power cord.3P.125V/7A.1.8M.PSE YP12/YC12 Certificat

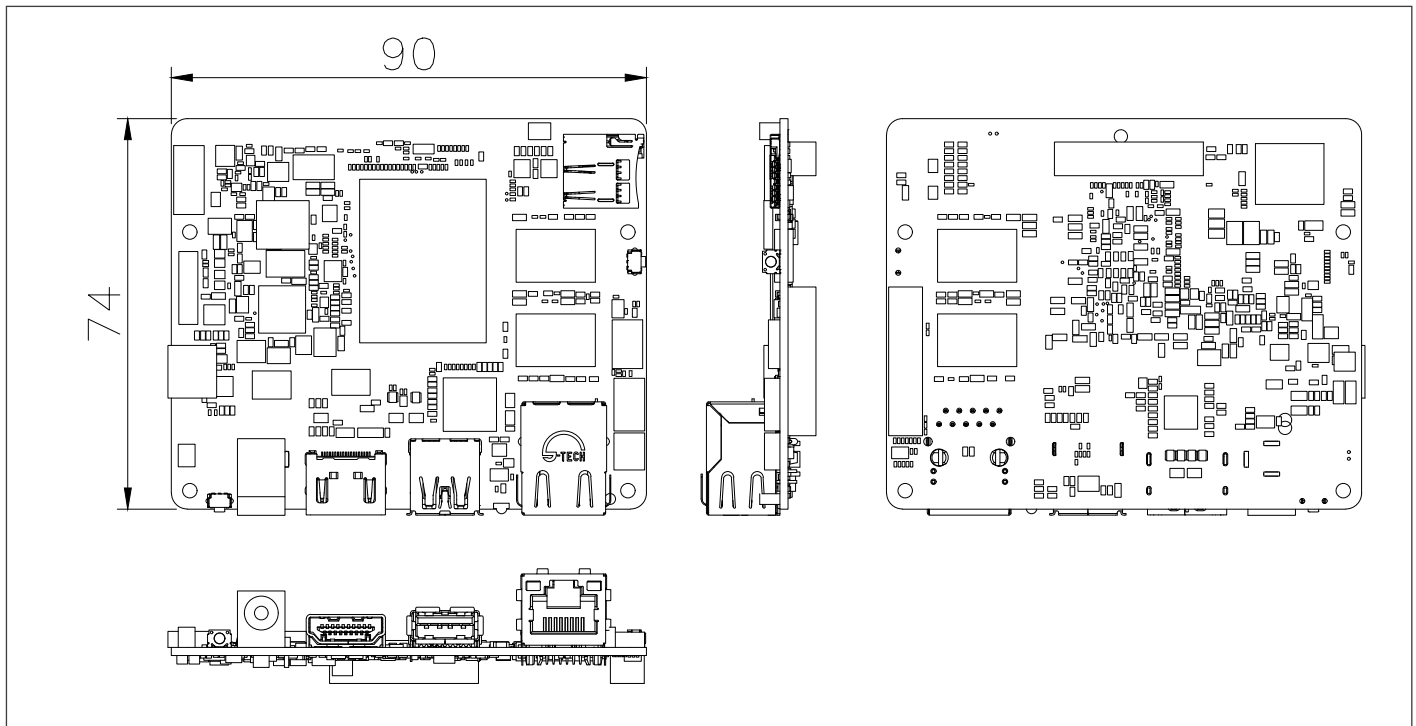
Specifications

System	
Processor	Intel Atom X5-E3940 Processor SoC / Intel HD 500 Graphics
Memory	Onboard LPDDR4 1866MHz 4GB / 8GB (Optional)
Storage	eMMC 5.1 32GB / 64GB (Optional)
Real Time Clock	RTC x 1, with 3V CR2032 Lithium battery
Security	—
Indicators	—
Cellular	—
Wireless Lan	—
Operating System	Windows 10 IoT Enterprise / Ubuntu 20.04 (by request)
Support Protocol	—
I/O Interfaces	
Serial Port	—
Ethernet	Gigabit Ethernet x 1, RJ-45
USB	USB 3.0 x 1, Type A
ADC	—

Block Diagram



Dimension Unit: mm



Ordering Information

Part Number	CPU	Memory	Thermal	Ports	Storage	LAN	USB	Expansion slot	Power	Operation Temp.	Others
SRT-APLC-A10-0432	Intel Atom X5-E3940, 1.6GHz	Onboard LPDDR4 1866MHz 4GB	Fanless	HDMI x 1 (Output)	eMMC 32GB, MicroSD x1	GbE x 1	USB 3.0 x 1	—	DC 12V	0°C ~ 60°C @ 0.5 m/s airflow	—
SRT-APLC-A10-0832	Intel Atom X5-E3940, 1.6GHz	Onboard LPDDR4 1866MHz 8GB	Fanless	HDMI x 1 (Output)	eMMC 32GB, MicroSD x1	GbE x 1	USB 3.0 x 1	—	DC 12V	0°C ~ 60°C @ 0.5 m/s airflow	—
SRT-APLC-A10-0464	Intel Atom X5-E3940, 1.6GHz	Onboard LPDDR4 1866MHz 4GB	Fanless	HDMI x 1 (Output)	eMMC 64GB, MicroSD x1	GbE x 1	USB 3.0 x 1	—	DC 12V	0°C ~ 60°C @ 0.5 m/s airflow	—
SRT-APLC-A10-0864	Intel Atom X5-E3940, 1.6GHz	Onboard LPDDR4 1866MHz 8GB	Fanless	HDMI x 1 (Output)	eMMC 64GB, MicroSD x1	GbE x 1	USB 3.0 x 1	—	DC 12V	0°C ~ 60°C @ 0.5 m/s airflow	—