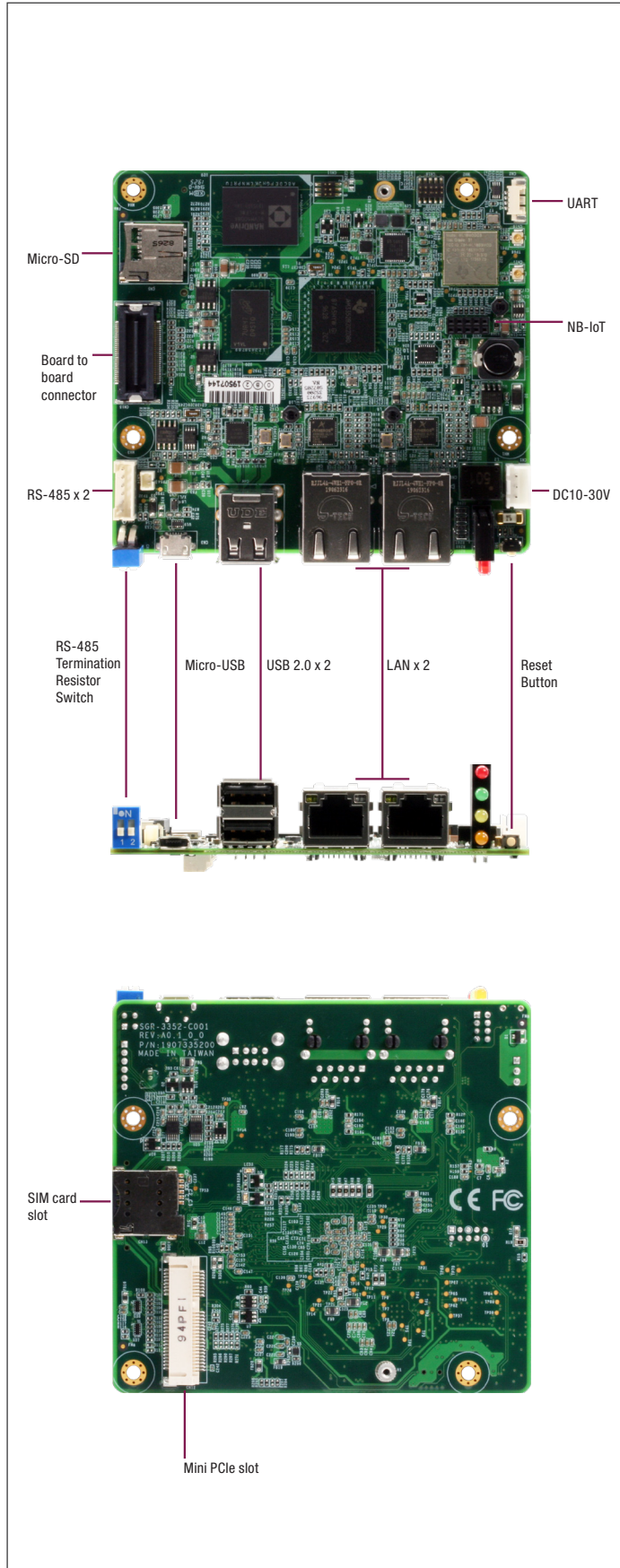


SRT-3352C

Compact Gateway Board With Onboard ARM Cortex-A8 800 MHz RISC Processor

Gateway Board & Expansion Board



Features

- ARM Cortex-A8 800 MHz RISC Processor
- Onboard DDR3L 1 GB
- eMMC 8G
- Built-in Micro SD Card Slot x 1
- 3G/4G LTE mini PCIe connector x 1
- NB-IoT connector x 1
- SIM card socket x 1
- Gigabit Ethernet RJ-45 x 2 LAN port
- USB 2.0 x 2
- RS-485 x 2
- Micro USB x 1
- 4 LED lights controlled through GPIO
- Real time clock x 1
- DC10-30V
- Board to Board connector
- RS-485 termination resistor switch



Specifications

System	
Processor	ARM Cortex-A8 800 MHz RISC Processor
System Memory	Onboard DDR3L 1GB
RTC	Serial real time clock x 1
Expansion Interface	3G/4G LTE mini PCIe connector; NB-IoT connector; SIM card socket x 1
Battery	3V CR2032 Lithium battery for RTC
Power Requirement	DC10-30V
Power Consumption (Typical)	1.8 W
Dimension	3.94" x 3.78" (100 x 96mm)
Gross Weight	70 g
Operation Temperature	32 °F ~ 140 °F (0 °C ~ 60 °C)
Storage Temperature	-40 °F ~ 176 °F (-40 °C ~ 80 °C)
Operation Humidity	10% ~ 95% relative humidity, non-condensing
MTBF (Hours)	855,890
I/O	
Storage	eMMC 8G; Micro SD slot
Serial Port	RS-485 x 2
LAN	Gigabit Ethernet, RJ-45 x 2
Universal Serial Bus	USB 2.0 x 2
GPIO	4 LED control

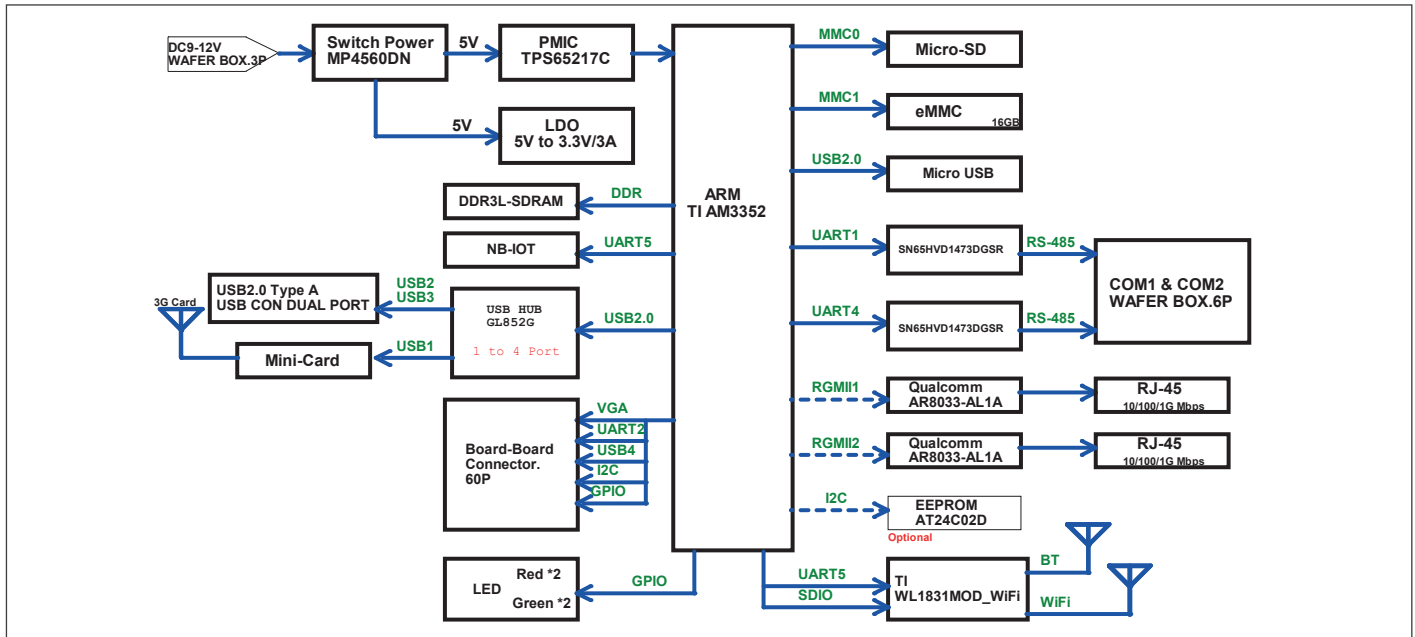
Packing List

- SRT-3352C

Optional Accessories

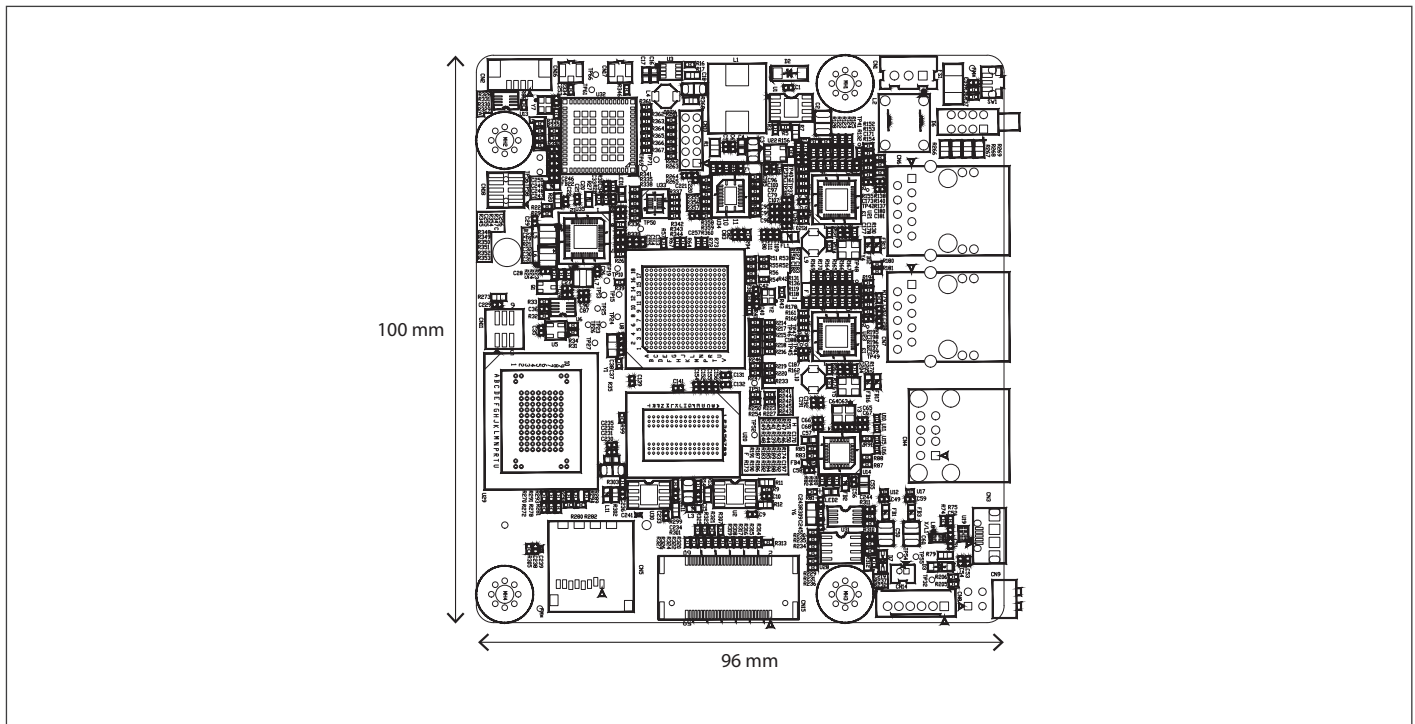
- 9741EC25E0
PCIe mini card.4G LTE module kit with cable & Antenna, EC25-E
- 9741EG25G0
PCIe mimi card. 4G LTE. module kit. Global Band W/SIM holder. W/Cable & antenna. Quectel. EG25-G

Block Diagram



Dimension

Unit: mm



Ordering Information

PART NUMBER	CPU	Memory	Thermal	COM	Storage	LAN	USB	Expansion slot	POWER	OPERATION TEMP.	Others
SRT-3352C-A10-A001	ARM Cortex-A8 800MHz	Onboard DDR3L 1G	Fanless	RS-485 x 2	eMMC 8GB, MicroSD x1	GbE x 2	USB 2.0 x 2 Micro USB x 1	Mini PCIe slot x 1, SIM card socket x 1	DC10-30V	0°C ~ 60°C @ 0.5 m/s airflow	3G/4G LTE module (optional)