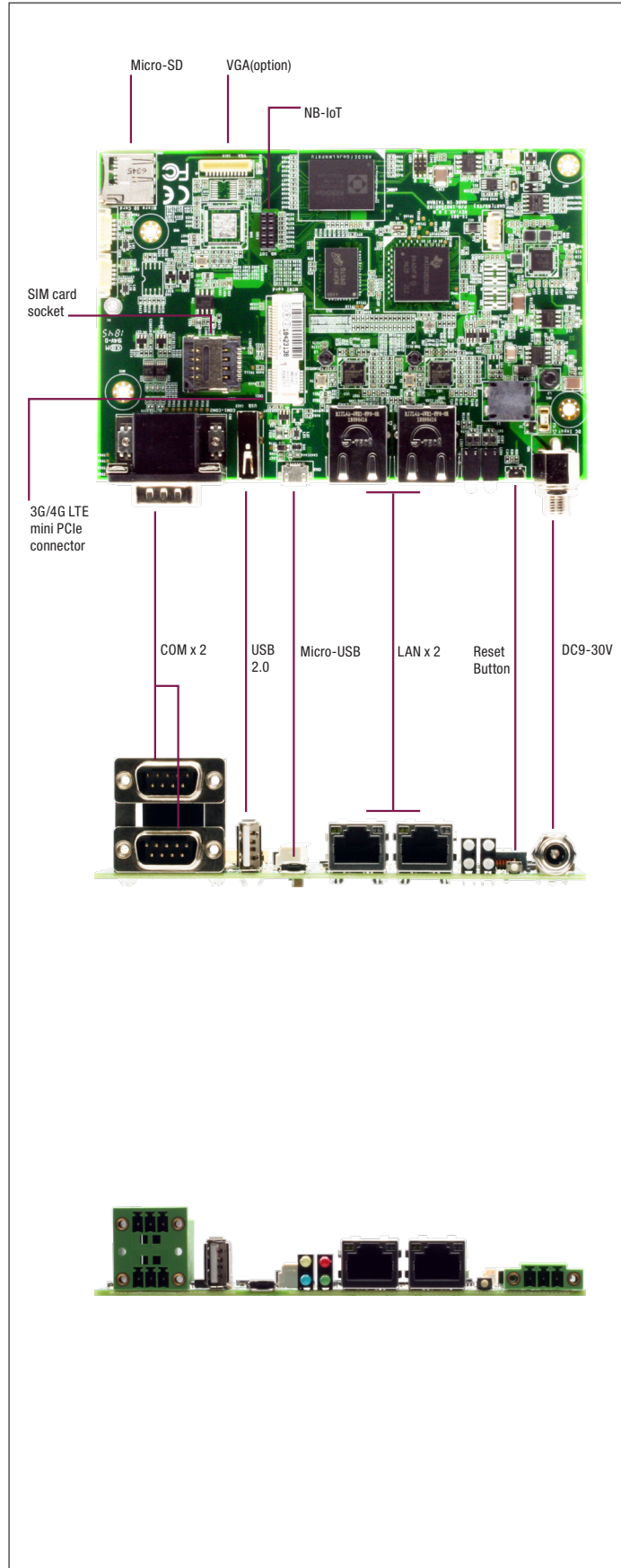


SRT-3352

Standard Gateway Board With Onboard ARM Cortex-A8 800 MHz RISC Processor



Features

- ARM Cortex-A8 800 MHz RISC Processor
- Onboard DDR3L 1 GB
- eMMC 8G
- Built-in Micro SD Card Slot x 1
- 3G/4G LTE mini PCIe connector x 1
- NB-IoT connector x 1
- SIM card socket x 1
- Gigabit Ethernet RJ-45 x 2 LAN port
- USB 2.0 x 2
- COM x 2
- 4 LED lights controlled through GPIO
- Real time clock x 1
- DC9-30V
- VGA x 1 (optional)



Specifications

| System | |
|-----------------------------|--|
| Processor | ARM Cortex-A8 800 MHz RISC Processor |
| System Memory | Onboard DDR3L 1GB |
| RTC | Serial real time clock x 1 |
| Expansion Interface | 3G/4G LTE mini PCIe connector; NB-IoT connector; SIM card socket |
| Battery | 3V CR2032 Lithium battery for RTC |
| Power Requirement | DC9-30V |
| Power Consumption (Typical) | 2.28 W |
| Dimension | 3.66" x 5.35"(93mm x 136mm) |
| Gross Weight | 88 g |
| Operation Temperature | 32 °F ~ 140 °F (0 °C ~ 60 °C) |
| Storage Temperature | -40 °F ~ 176 °F (-40 °C ~ 80 °C) |
| Operation Humidity | 10% ~ 95% relative humidity, non-condensing |
| MTBF (Hours) | 855,890 |
| I/O | |
| Storage | eMMC 8G; Micro SD slot |
| Serial Port | RS-485 x 2 |
| LAN | Gigabit Ethernet, RJ-45 x 2 |
| Universal Serial Bus | USB 2.0 x 2 |
| GPIO | 4 LED control |

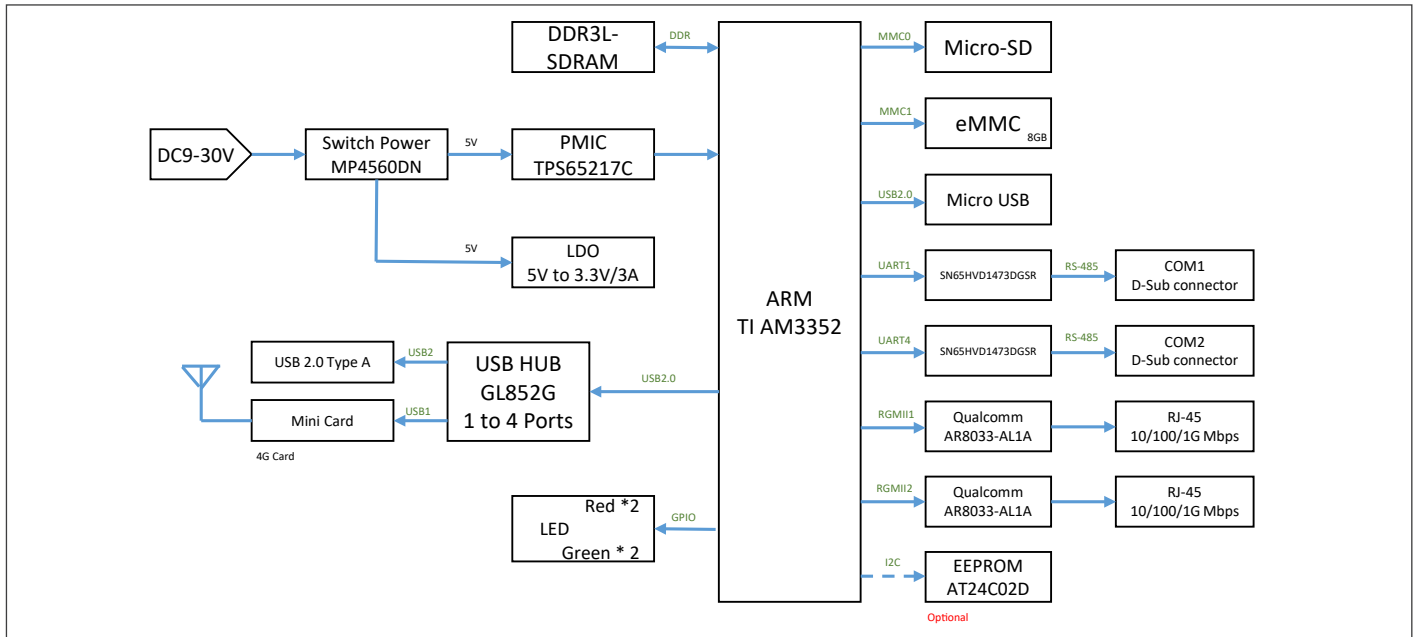
Packing List

- SRT-3352

Optional Accessories

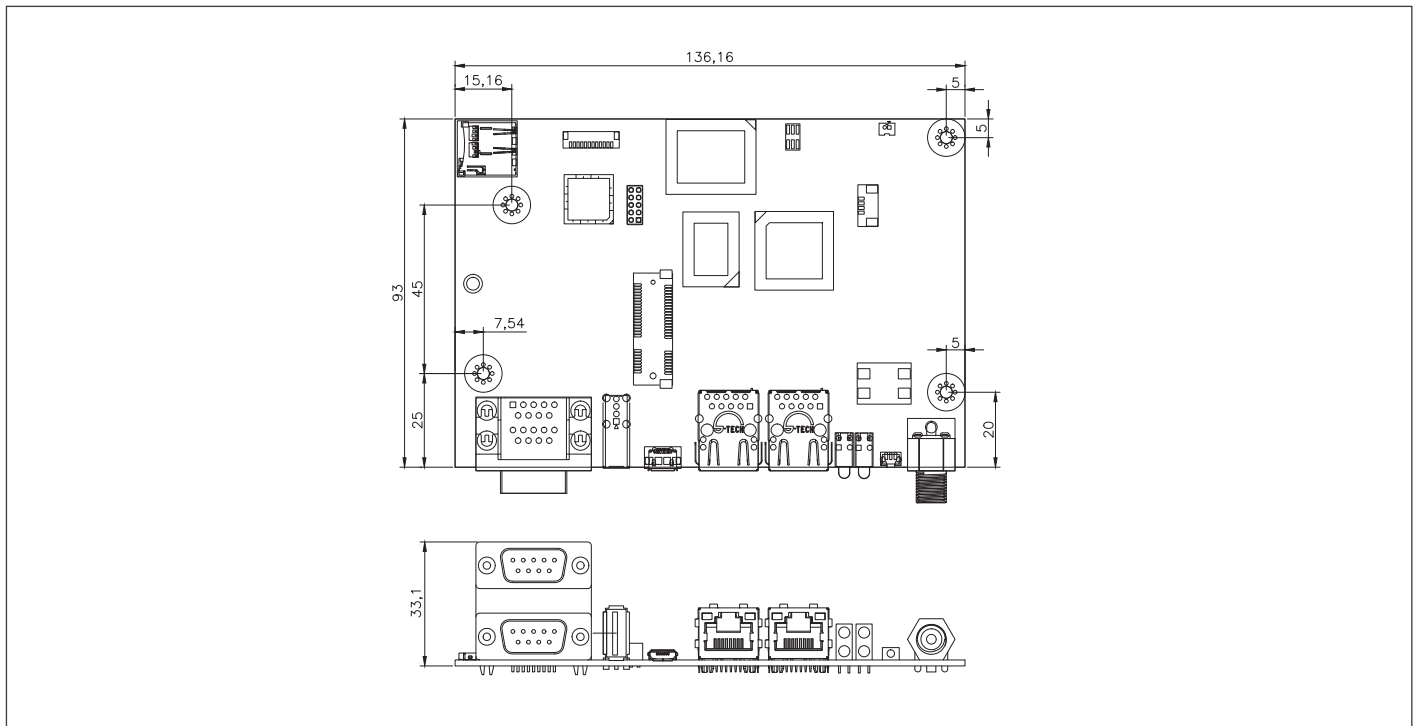
- **1255300366**
Power Adapter. AC/DC. 100-240VAC. 12VDC/3A.36W. For SRT-3352-A10-A001
- **1255300368**
Power Adapter. AC/DC. 100-240VAC. 12VDC/3A. 36W. for SRT-3352-A10-A002
- **1702031802**
POWER CORD.3P-125V 10A 180D. 1.8M. USA.
- **9741EC25E0**
PCIe mini card.4G LTE module kit with cable & Antenna, EC25-E
- **9741EG25G0**
PCIe mimi card.4G LTE.module kit.Global Band W/SIM holder.W/Cable & antenna.Quectel.EG25-G
- **9741236A00**
Mini card WiFi Kit.802.11ac/a/b/g/n,BT4.2.USB Signal.W/cable&antenna

Block Diagram



Dimension

Unit: mm



Ordering Information

| PART NUMBER | CPU | Memory | Thermal | COM | Storage | LAN | USB | Expansion slot | POWER | OPERATION TEMP. | Others |
|-------------------|----------------------|------------------|---------|----------------------|----------------------|---------|------------------------------|--|---------|------------------------------|--|
| SRT-3352-A10-A001 | ARM Cortex-A8 800MHz | Onboard DDR3L 1G | Fanless | RS-485 x 2 (D-sub) | eMMC 8GB, MicroSD x1 | GbE x 2 | USB 2.0 x 1 Micro USB x 1 | Mini PCIe slot x 1, SIM card socket x 1 | DC9-30V | 0°C ~ 60°C @ 0.5 m/s airflow | VGA x 1 (optional), 3G/4G LTE module (optional) |
| SRT-3352-A10-A002 | ARM Cortex-A8 800MHz | Onboard DDR3L 1G | Fanless | RS-485 x 2 (phoenix) | eMMC 8GB, MicroSD x1 | GbE x 2 | USB 2.0 x 1 Micro USB x 1 | Mini PCIe slot x 1, SIM card socket x 1 | DC9-30V | 0°C ~ 60°C @ 0.5 m/s airflow | VGA x 1 (optional), 3G/4G LTE module (optional) |