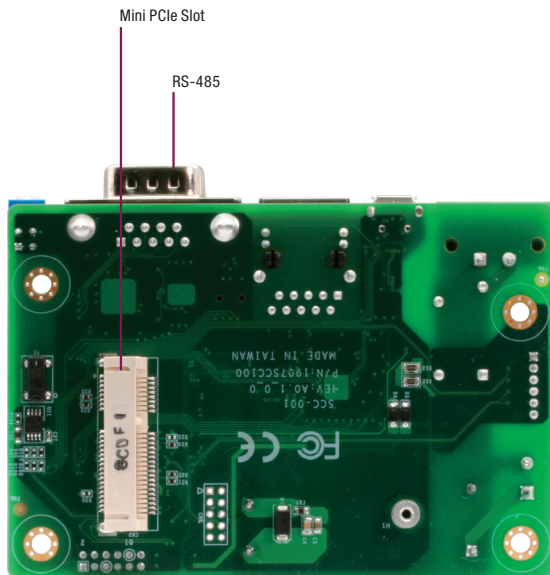
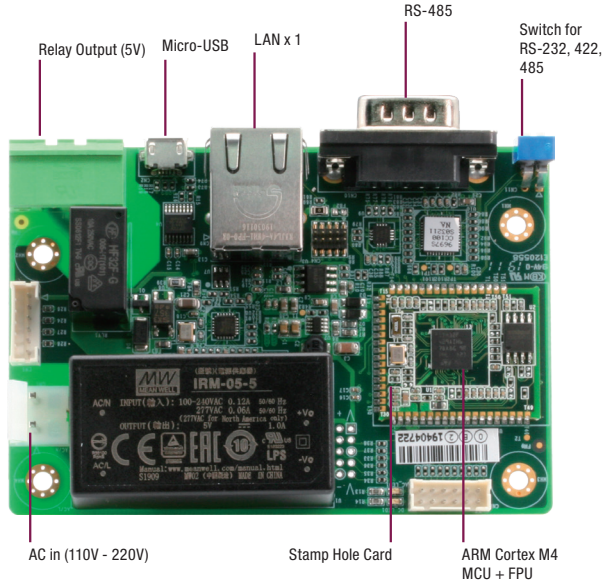


## Carrier Board With Onboard ARM Cortex M4 MCU + FPU



### Features

- ARM-Cortex M4 MCU + FPU
- RS-485 x 1 (default)
- Switch for changing to RS-232, 422, 485
- GPIO x 4
- 10/100 Mb/s Ethernet, RJ-45 x 1 LAN port
- Micro USB x 1
- Relay output (5V) x 1
- Mini PCIe slot x 1



### Specifications

System	
Micro controller	ARM-Cortex M4 MCU+FPU
Expansion interface	mini PCIe connector
Operating voltage	110 V~220V
Dimension	3.35" x 2.56" (85 mm x 65 mm)
Operation temperature	32 °F ~ 140 °F (0 °C ~ 60 °C)
Storage Temperature	-40 °F ~ 176 °F (-40 °C ~ 80 °C)
I/O port	—
Serial port	RS-485 (default); with switch for RS-422, RS-232
LAN	10/100 Base-TX, RJ-45 x 1
GPIO	GPIO x 4
USB	Micro USB
DC output	Relay output (5V)

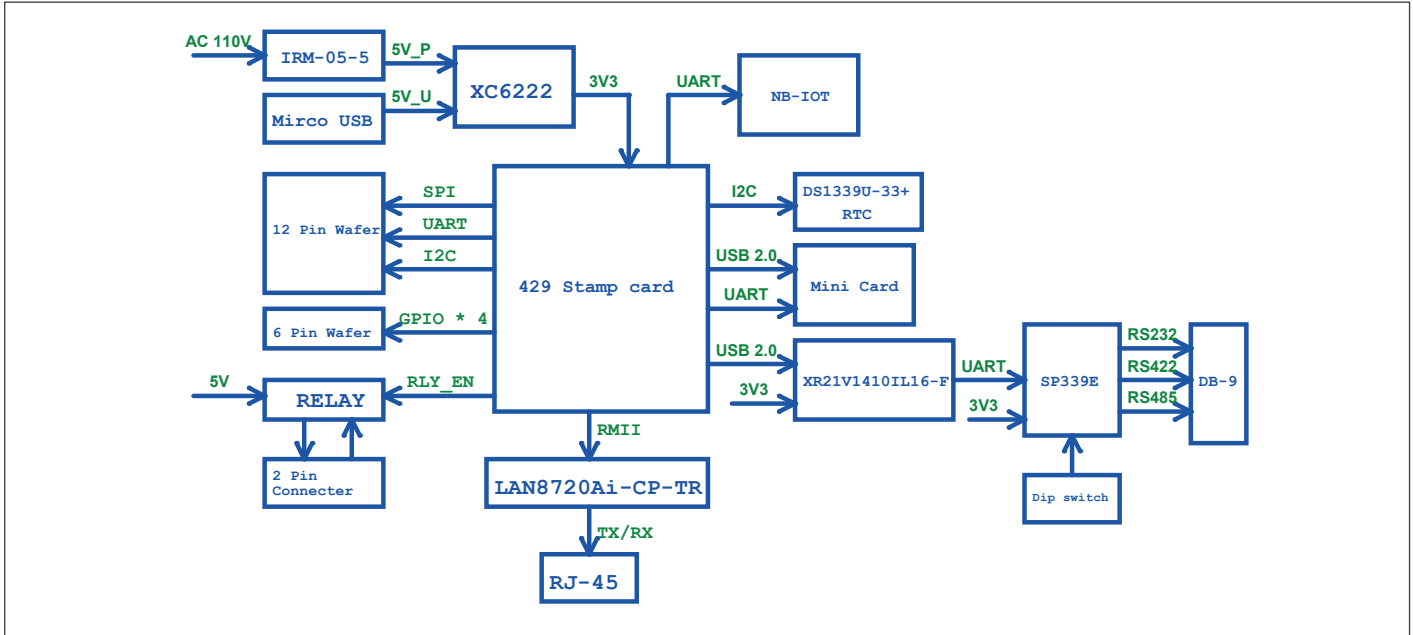
### Packing List

- SCA-M01

### Optional Accessories

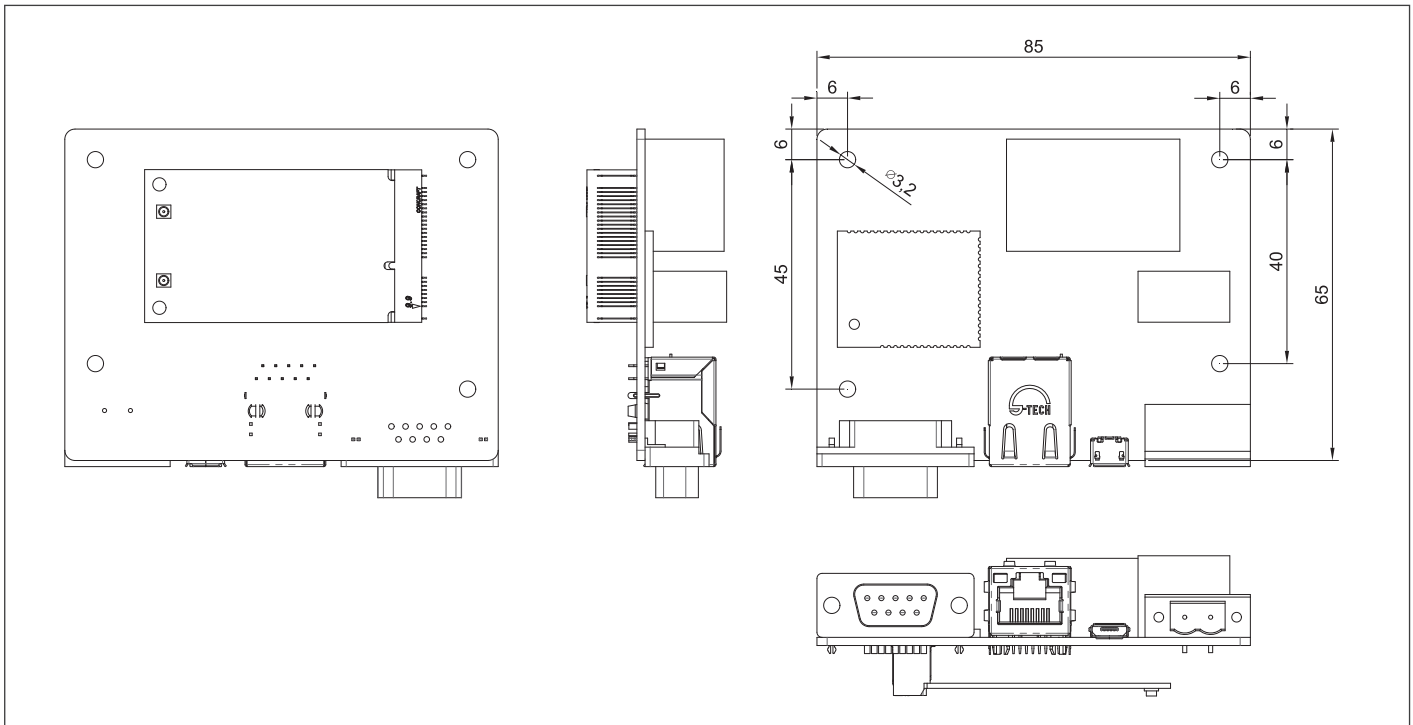
- 9741EC25E0  
PCIe mini card.4G LTE module kit with cable & Antenna, EC25-E
- 9741EC25A0  
PCIe mini card.4G LTE module kit with cable & Antenna, EC25-A

## Block Diagram



## Dimension

Unit: mm



## Ordering Information

Part Number	CPU	Thermal	COM	LAN	USB	Expansion Slot	Power	Operation Temp.	Others
SCA-M01	ARM-Cortex M4 MCU+FPU	Fanless	RS-232/422/485 x1	10/100 Mb/s x 1	Micro USB x 1	Mini PCIe slot x 1	110V ~220V AC in	0°C ~ 60°C @ 0.5 m/s airflow	3G/4G LTE module (optional)