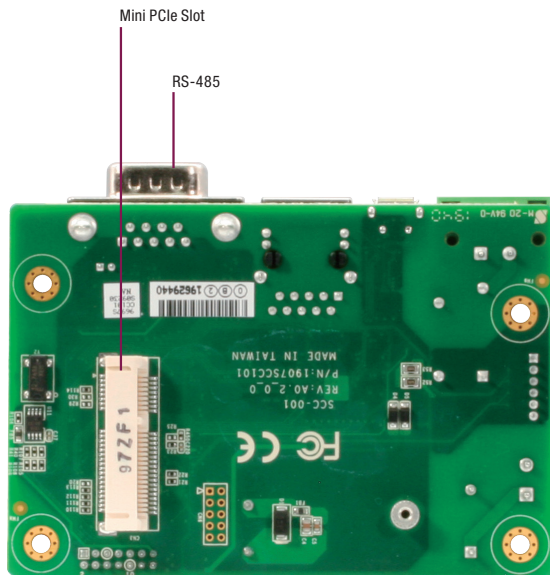
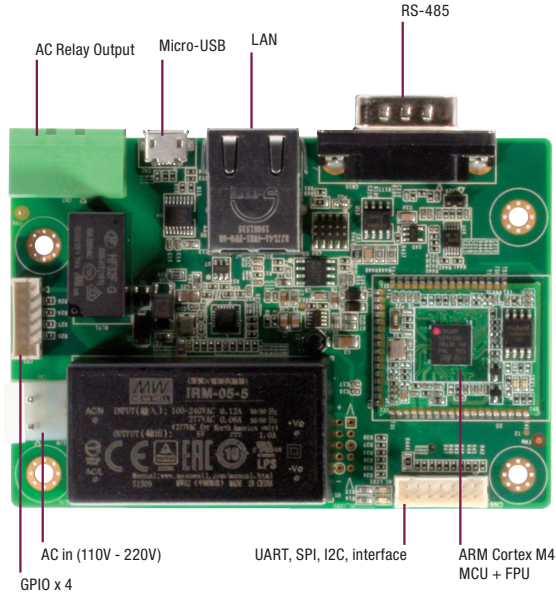


SCA-M01

Carrier Board With Onboard ARM Cortex M4 MCU + FPU

IoT Gateway/Node Boards



Features

- ARM-Cortex M4 MCU + FPU
- RS-485 x 1
- GPIO x 4
- 10/100 Mb/s Ethernet, RJ-45 x 1 LAN port
- Micro USB x 1
- AC Relay Output x 1
- AC in (110V~220V)
- Support UART, SPI, I2C interface
- Mini PCIe slot x 1



Specifications

System	
Micro controller	ARM-Cortex M4 MCU+FPU
Expansion interface	mini PCIe connector
Operating voltage	110 V~220V
Dimension	3.35" x 2.56" (85 mm x 65 mm)
Operation temperature	32 °F ~ 140 °F (0 °C ~ 60 °C)
Storage Temperature	-40 °F ~ 176 °F (-40 °C ~ 80 °C)
MTBF (Hours)	1,299,248
I/O port	
Serial port	RS-485
LAN	10/100 Base-TX, RJ-45 x 1
GPIO	GPIO x 4
USB	Micro USB
AC relay	Relay output
Other Interface	UART; I2C; SPI
Wireless	Support 4G/WiFi via mini PCIe slot

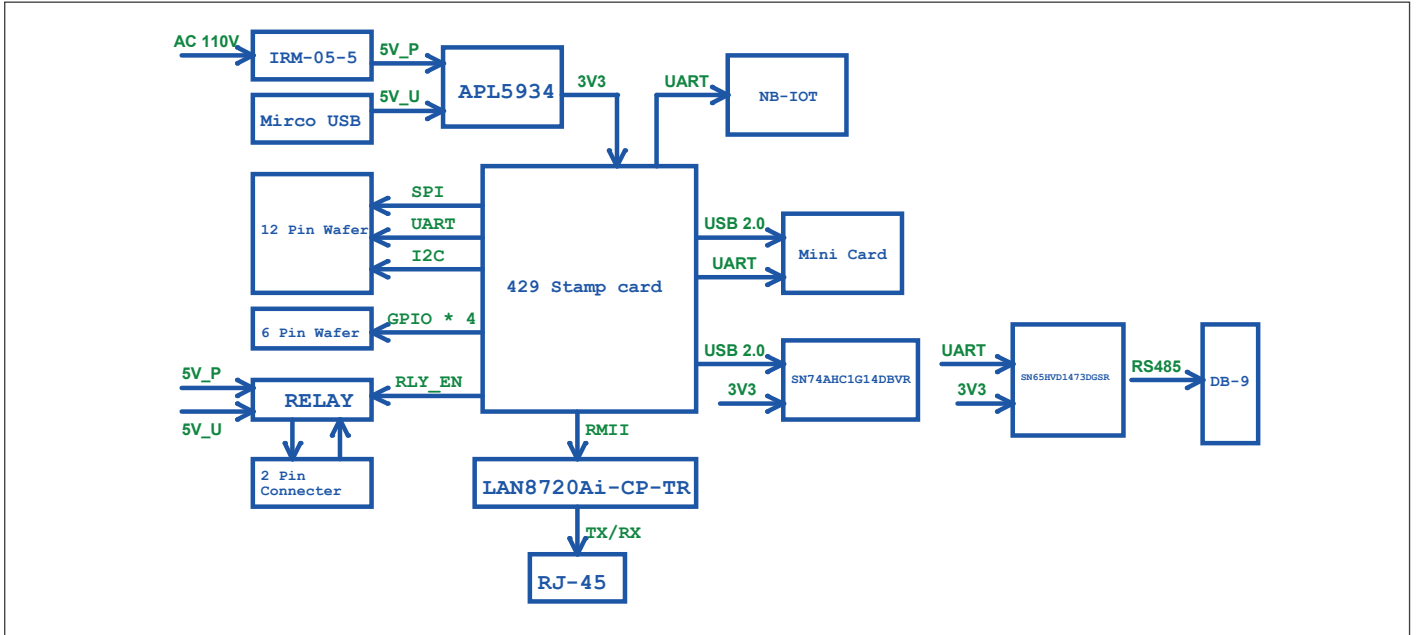
Packing List

- SCA-M01

Optional Accessories

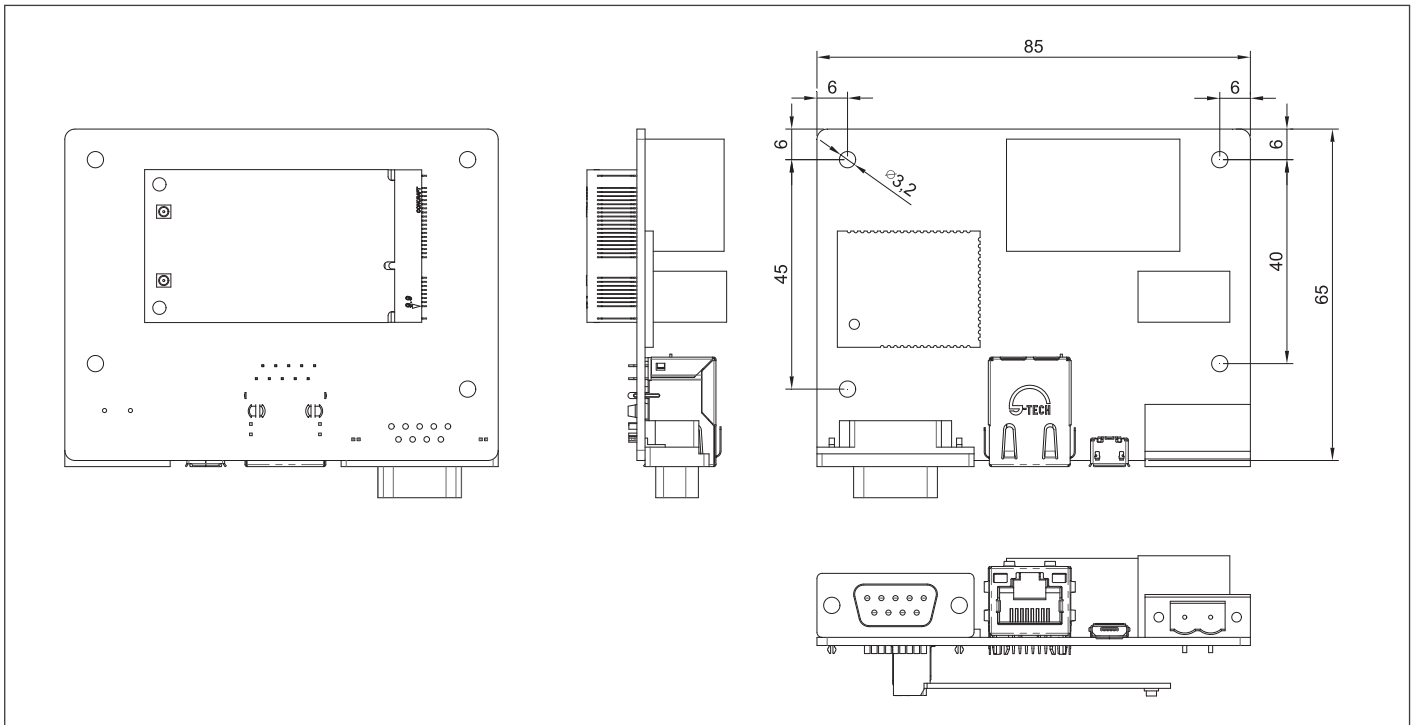
- **9741EC25E0**
PCIe mini card.4G LTE module kit with cable & Antenna, EC25-E
- **9741EC25A0**
PCIe mini card.4G LTE module kit with cable & Antenna, EC25-A
- **9741EG25G0**
PCIe mimi card.4G LTE.module kit.Global Band W/SIM holder.W/Cable & antenna.Quectel.EG25-G

Block Diagram



Dimension

Unit: mm



Ordering Information

Part Number	CPU	Thermal	COM	LAN	USB	Expansion Slot	GPIO	Support Interface	Power	Operation Temp.	Others
SCA-M01-A10-A001	ARM-Cortex M4 MCU+FPU	Fanless	RS-485 x 1	10/100 Mb/s x 1	Micro USB x 1	Mini PCIe slot x 1	GPIO x 4	UART; I2C; SPI	110V ~220V AC in	0°C ~ 60°C @ 0.5 m/s airflow	3G/4G LTE module (optional)