

RTC-710RK

7" Rugged Tablet ARM-based Android™ with 1.6 GHz Quad Core Processor



Specifications

System Architecture	
Processor	Rockchip RK3399K Processor (Quad-Core A53 1.6GHz & Dual-Core A72 2.0GHz)
Operating System	Android 8.1
Memory	Onboard LPDDR4 2GB (Default) / 4GB
Storage	eMMC 16GB (Default) / 32GB
Display	7" WXGA (1280x800) 700-nit / 300-nit TFT LCD
I/O Port	SIM card slot x 1, USB 3.2 Gen 1 Type-C x 1, Audio jack x 1 (3.5mm), DC-in jack x 1, Micro-SD card slot x 1, USB 2.0 Type-A x 1, UART Port x 1 (Via I/O Module), 10/100/1000 Base-T RJ45 x 1 (Via I/O Module)
Communication	Wi-Fi 802.11 b/g/n, Bluetooth v4.2 (EDR + BLE)
Navigation	GPS + GLONASS (Default), BeiDou (Optional) External Antenna
WWAN(optional)	LTE via M.2 slot (Optional)
Camera	8MP front camera, 8MP rear camera with flash
Sensor	G-sensor, Gyroscope, Light-sensor
Expansion Slot	M.2 slot x 1, Docking connector: USB 3.2 Gen 1 x 1
Barcode Scanner (Optional)	2D Barcode scanner, OPTICON MDI-4100-USB via I/O module (Optional)
HF RFID (Optional)	ISO 15693 (R/W) ISO 18092 (R/W) ISO 14443-A (R/W) ISO 14443-B (Only Read UID) Depend on card type

Features

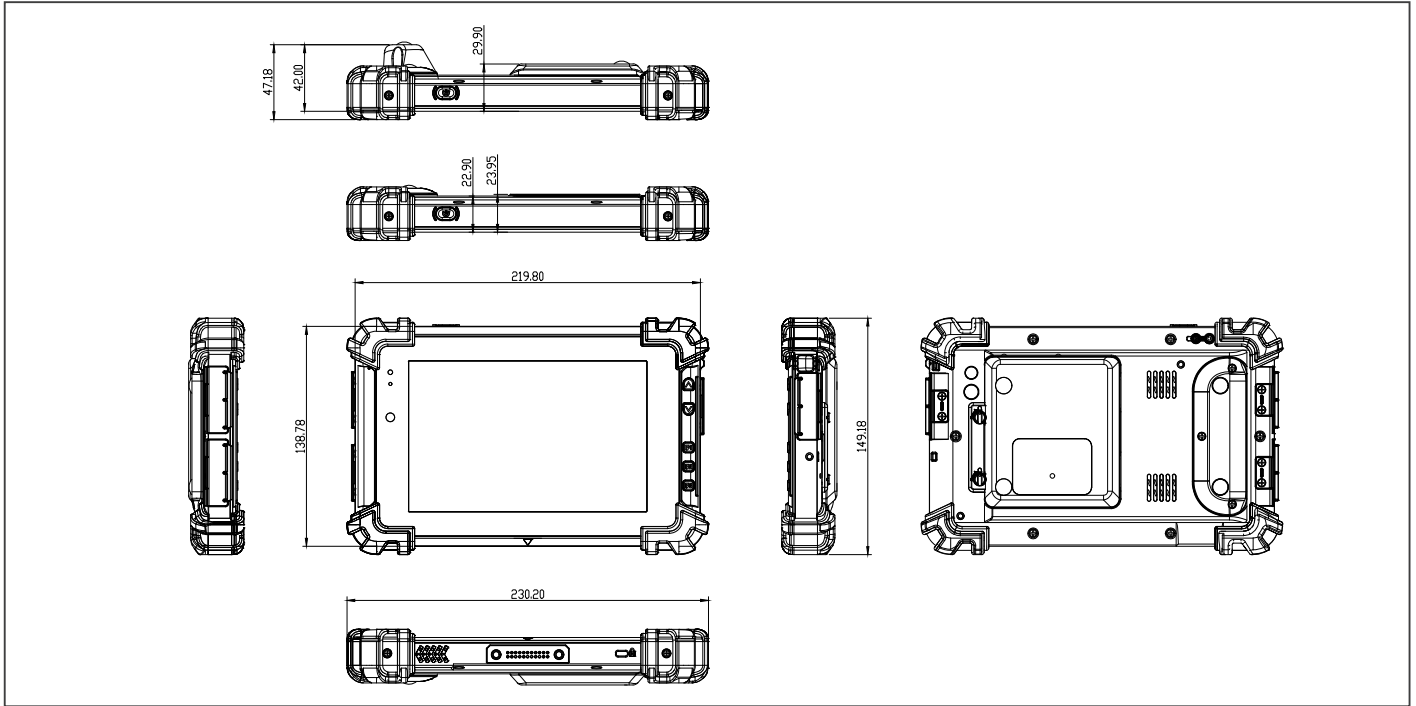
- 7" WXGA (1280 x 800) 700-nit / 300-nit TFT LCD
- Rockchip RK3399K Processor
- Onboard LPDDR4 Memory, 2GB (Default) / 4GB
- eMMC 16GB (Default) / 32GB
- Projected Capacitive Multi-Touch Screen
- WiFi 802.11b/g/n, Bluetooth 4.2, LTE (Optional)
- 8MP Front and 8MP Rear Camera
- UART Port + 10/100/1000 Base-T RJ45 via I/O Module (Optional)
- USB 3.2 Gen 1 Type-C x 1, USB 2.0 Type-A x 1
- 2D Barcode Scanner via I/O Module (Optional)
- NFC (HF RFID) Reader (Optional)
- GPS + GLONASS (Default), BeiDou (Optional)
- One Hot-swappable Battery + Internal Battery, Up to 44W Battery Capacity
- MIL-STD-810G, IP65 Compliant, Drop 122cm
- Programmable Function Key: F1, F2, F3, Volume Up/Down, With LED Illumination
- Android 8.1



Physical Key	F1(Audio on/off), F2 (Screenprint), F3 (Barcode Scanner Trigger), Volume Up, Volume Down
Mechanical	
Color	Dark Grey
Dimension (W x H x D)	8.65" x 5.46" x 0.94" (219.8 x 138.8 x 23.9mm)
Gross Weight	1.52 lb (0.69 Kg) based on configurations
Environmental	
Operating Temperature	-20°C ~ 60°C (-4°F ~ 140°F) for high-brightness version
Storage Temperature	-30°C ~ 70°C (-22°F ~ 158°F)
Humidity	0% ~ 90% relative humidity, non-condensing
Environmental Sealing	IP65
Vibration	MIL-STD-810G
Drop	MIL-STD-810G Method 516.6 Procedure IV Height of Drop: 122cm (48 inch; 4ft)
Shock	MIL-STD-810G
ESD	Air charge: +/- 8KV, Contact charge: +/- 4KV
Certifications and Standards	UL62368-1, CE, FCC
Power Supply	
AC / DC Adapter	AC 100 ~ 240 V, 50 ~ 60 Hz, Output: 12V/ 3.34A/ 40W
Battery Life	Li-ion Battery 8-hour battery life based on test configurations
Master Battery	7.4V, 4420mAh, 32.7W
Slave Battery	Hot-swappable battery: 7.4V, 1530mAh, 11.3W (Optional)
Display	
LCD	7" TFT-LCD Display
Resolution	1280 x 800
Maximum Color	16.7M
Dot Size	0.03925(H) X 0.11775(V) mm
Brightness	700 / 300 nits
Viewing Angle	Horizontal: 178°, Vertical: 178° (Typical)
Touch Screen	
Touch Type	7" Projected Capacitive Multi-Touch Screen (700 nits with 10 points / 300 nits with 5 points)
Light Transmission	Min. 85%

Dimension

Unit: mm



Packing List

- **1255X00008**
Power Adapter
- **RTC-710RK**
*Power cord must be purchased separately.

Optional Accessories

- **RDS-0710-000**
Docking Station
- **RDS-0710-001**
Docking Station, W/ Stand
- **RTC-710-BAG-000**
Carry Bag
- **964171RKB0**
Hand Strap
- **RDS-0040-0000**
4-Bay Battery Charger
- **9741600R04**
Battery Pack, 7.4V, 1530mAh, 2pcs/Box
- **1259X00003**
Car Adapter, Cigarette Plug
- **1702031802**
Power Cord for USA
- **1702031803**
Power Cord for Europe

Ordering Information

Part Number	CPU	OS	LCD Display	Touch Screen	System Memory	Storage	Expansion I/O	Sensor	WiFi/Bluetooth	Navigation	LTE Bands (MHz)	Camera	Docking	2D Barcode Scanner	HF RFID	Battery	Power
RTC-710RK-RH0001	RK3399K	Android 8.1	7" 700 nits	PCT 10 points	LPDDR4 2GB	eMMC 16GB	SIM card slot x 1, USB 3.2 Gen 1 Type-C x 1, Audio jack x 1 (3.5mm), DC-in jack x 1, Micro-SD card slot x 1, USB 2.0 Type-A x 1	G-sensor Gyro-sensor Light-sensor	802.11 b/g/n + BT4.2	—	—	Front: 8MP	—	—	—	32.7W (internal)	DC12V
RTC-710RK-RH0002	RK3399K	Android 8.1	7" 700 nits	PCT 10 points	LPDDR4 2GB	eMMC 16GB	SIM card slot x 1, USB 3.2 Gen 1 Type-C x 1, Audio jack x 1 (3.5mm), DC-in jack x 1, Micro-SD card slot x 1, USB 2.0 Type-A x 1, UART Port x 1 (Via I/O Module), 10/100/1000 Base-T RJ45 x 1 (Via I/O Module)	G-sensor Gyro-sensor Light-sensor	802.11 b/g/n + BT4.2	GPS / GLONASS	—	Front: 8MP Rear: 8MP w/ Flash	Yes	—	Yes	32.7W + 11.3W	DC12V
RTC-710RK-RH0003	RK3399K	Android 8.1	7" 700 nits	PCT 10 points	LPDDR4 2GB	eMMC 16GB	SIM card slot x 1, USB 3.2 Gen 1 Type-C x 1, Audio jack x 1 (3.5mm), DC-in jack x 1, Micro-SD card slot x 1, USB 2.0 Type-A x 1, UART Port x 1 (Via I/O Module), 10/100/1000 Base-T RJ45 x 1 (Via I/O Module)	G-sensor Gyro-sensor Light-sensor	802.11 b/g/n + BT4.2	GPS / GLONASS	—	Front: 8MP Rear: 8MP w/ Flash	Yes	—	Yes	32.7W + 11.3W	DC12V
RTC-710RK-RH0004	RK3399K	Android 8.1	7" 700 nits	PCT 10 points	LPDDR4 2GB*	eMMC 16GB	SIM card slot x 1, USB 3.2 Gen 1 Type-C x 1, Audio jack x 1 (3.5mm), DC-in jack x 1, Micro-SD card slot x 1, USB 2.0 Type-A x 1, 2D BCR x 1 (Via I/O Module)	G-sensor Gyro-sensor Light-sensor	802.11 b/g/n + BT4.2	GPS / GLONASS	—	Front: 8MP Rear: 8MP w/ Flash	Yes	Yes	Yes	32.7W + 11.3W	DC12V