

7" Rugged Tablet Features Intel® N3350 / N4200 Processor with Windows®



## Features

- 7" WXGA (1280 x 800) 700-nit / 300-nit TFT LCD
- Intel® Celeron™ N3350 1.1GHz Dual Core Up to 2.4GHz (N4200 Optional)
- Onboard LPDDR4 Memory, 4GB (Default) / 8GB
- eMMC 64GB (Default) / 128GB
- Projected Capacitive Multi-Touch Screen
- WiFi 802.11b/g/n, Bluetooth 4.2, LTE (Optional)
- 2MP Front and 8MP Rear Camera
- RS-232 COM Port + 10/100/1000 Base-T RJ45 via I/O Module (Optional)
- USB 3.2 Gen 1 Type-C x 1, USB 2.0 Type-A x 1
- 2D Barcode Scanner via I/O Module (Optional)
- NFC (HF RFID) Reader (Optional)
- Up to 3 GNSS, GPS + Galileo (Default), GLONASS, BeiDou (Optional)
- One Hot-swappable Battery + Internal Battery, Up to 22.6W Battery Capacity
- MIL-STD-810G, IP65 Compliant, Drop 122cm
- Programmable Function Key: F1, F2, F3, Volume Up/Down, With LED Illumination
- Windows® 10 IOT



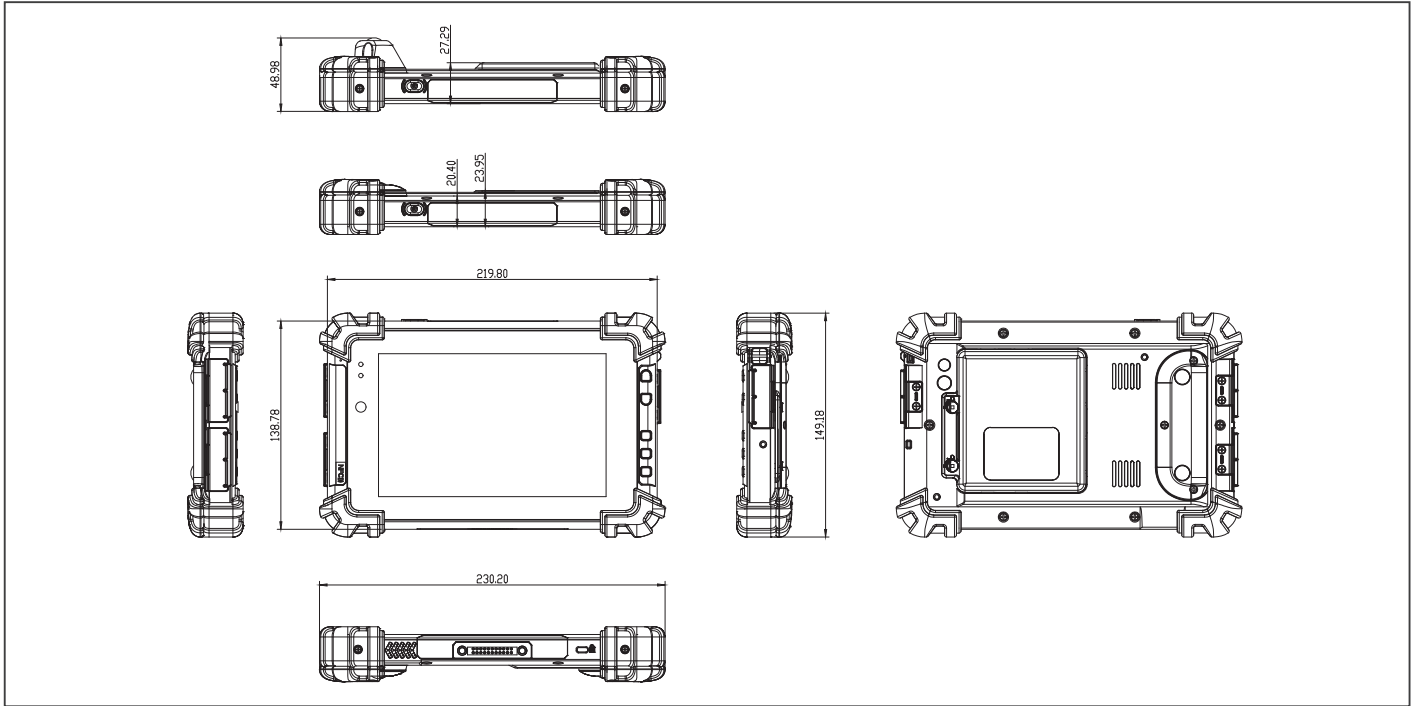
## Specifications

System Architecture	
Processor	Intel® Celeron™ N3350 1.1GHz Dual core up to 2.4GHz Intel® Pentium™ N4200 1.1GHz Quad core up to 2.5GHz
Operating System	Windows® 10 IOT Enterprise SAC
Memory	Onboard LPDDR4 4GB (Default) / 8GB
Storage	eMMC 64GB (Default) / 128GB
Display	7" WXGA (1280x800) 700-nit / 300-nit TFT LCD
I/O Port	SIM card slot x 1, USB 3.2 Gen 1 Type-C x 1, Audio jack x 1 (3.5mm), DC-in jack x 1, Micro-SD card slot x 1, USB 2.0 Type-A x 1, UART Port x 1 (Via I/O Module), 10/100/1000 Base-T RJ45 x 1 (Via I/O Module)
Communication	Wi-Fi 802.11 b/g/n, Bluetooth v4.2
Navigation	Up to 3 GNSS, GPS + Galileo (Default), GLONASS, BeiDou (Optional) External Antenna
WWAN(optional)	LTE via M.2 slot (Optional)
Camera	2MP front camera, 8MP rear camera with flash
Sensor	G-sensor, E-Compass, Gyroscope, Light-sensor
Expansion Slot	M.2 slot x 1, Docking connector: USB 3.2 Gen 1 x 1
Barcode Scanner (Optional)	2D Barcode scanner, OPTICON MDI-4100-USB via I/O module (Optional)
HF RFID (Optional)	ISO 15693 (R/W) ISO 18092 (R/W) ISO 14443-A (R/W) ISO 14443-B (Only Read UID) Depend on card type

Physical Key	F1(Ctrl+Alt+Del as Soft Reboot), F2 (Screenprint), F3 (Barcode Scanner Trigger), Volume Up, Volume Down
<b>Mechanical</b>	
Color	Dark Grey
Dimension (W x H x D)	8.65" x 5.46" x 0.94" (219.8 x 138.8 x 23.9mm)
Gross Weight	1.54 lb (0.7 Kg) based on configurations
<b>Environmental</b>	
Operating Temperature	-20°C ~ 60°C (-4°F ~ 140°F) for high-brightness version
Storage Temperature	-55°C ~ 70°C (-67°F ~ 158°F)
Humidity	0% ~ 90% relative humidity, non-condensing
Environmental Sealing	IP65
Vibration	MIL-STD-810G Method 514.6 Procedure I, Cat. 24, Fig. 514.6E-1 & E-2
Drop	MIL-STD-810G Method 516.6 Procedure IV - Height of Drop: 122cm (48 inch; 4ft) - Number of Drop: 26 times - Floor: Two inch plywood backed by concrete - For all surfaces, edges and corners
Shock	—
ESD	Air charge: +/- 8KV, Contact charge: +/- 4KV
Certifications and Standards	UL62368-1, CE, FCC
<b>Power Supply</b>	
AC / DC Adapter	AC 100 ~ 240 V, 50 ~ 60 Hz, Output: 12V/ 3.34A/ 40W
Battery Life	Li-ion Battery 8-hour battery life based on test configurations (TBC)
Master Battery	7.4V, 4420mAh, 32.7W
Slave Battery	Hot-swappable battery: 7.4V, 1530mAh, 11.3W (Optional)
<b>Display</b>	
LCD	7" TFT-LCD Display
Resolution	1280 x 800
Maximum Color	16.7M
Dot Size	0.03925(H) X 0.11775(V) mm
Brightness	700 / 300 nits
Viewing Angle	Horizontal: 178°, Vertical: 178° (Typical)
<b>Touch Screen</b>	
Touch Type	7" Projected Capacitive Multi-Touch Screen (700 nits with 10 points / 300 nits with 5 points)
Light Transmission	Min. 85%

## Dimension

Unit: mm



## Packing List

- 1255X00008  
Power Adapter
- RTC-710AP  
\*Power cord must be purchased separately.

## Optional Accessories

- TBD

\* Small quantity MOQ may apply for optional/customized services.

## Ordering Information

Part Number	CPU	LCD Display	Touch Screen	System Memory	Storage	OS	WiFi/Bluetooth	4G Bands (MHz)	Navigation	Sensor	Battery	Expansion I/O	Size & Weight	Operation Temp	Durable	NFC (HF RFID)	2D Barcode Scanner	Com + Ethernet	Docking
TBD																			