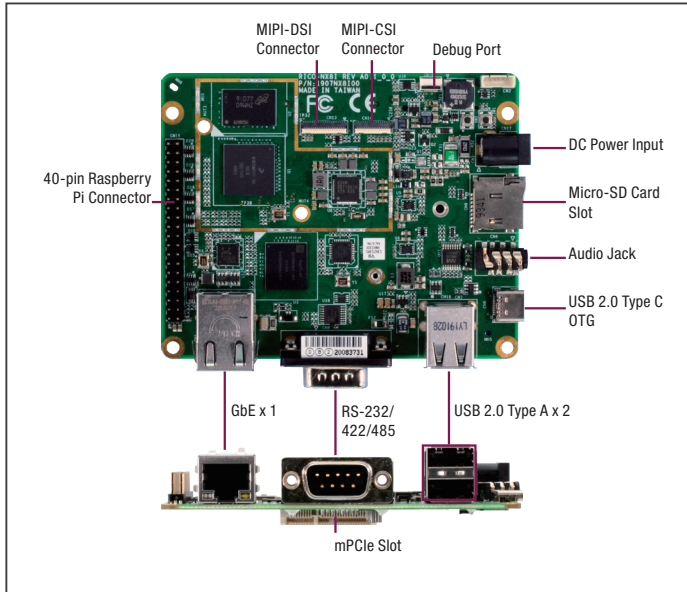


Pico-ITX Fanless Board with NXP i.MX 8M Mini



Features

- NXP i.MX 8M Mini
- Onboard LPDDR4 2GB/4GB (Optional)
- Onboard eMMC 16GB and Micro-SD Card Slot
- MIPI, HDMI (Optional)
- WiFi & BT via M.2 WiFi/BT Module (Optional)
- GbE: RJ45 x 1
- USB 2.0: Type C OTG x 1, Type A x 2
- RS-232/422/485 x 1, RS-232 x 1, Debug Port x 1
- 28 GPIOs in 40-pin Raspberry Pi Connector
- mPCIe Slot x 1
- +12V DC Input
- OS Support: Yocto
- Small Board Size: 100mm x 82mm



Specifications

System	
Form Factor	Pico-ITX Plus (100mm x 82mm)
CPU	NXP i.MX 8M Mini Quad Cortex®-A53 1.6GHz Cortex®-M4 400MHz processor for low-power processing
GPU	GC NanoUltra for 3D acceleration GC320 for 2D acceleration
Graphics	-1080p60 H.265, VP9 decoder -1080p60 H.264, VP8 decoder -1080p60 H.264, VP8 encoder
Memory Capacity	Onboard LPDDR4 2GB RAM/4GB (Optional)
Storage/SSD	16GB eMMC and Micro-SD card
Operating System	Yocto
Kernel	TBC
Watchdog Timer	Integrated
Power Requirement	+12V DC input
Power Consumption (Typical)	TBC
Dimension	3.94" x 3.23" (100mm x 82mm)
Gross Weight	0.44 lb (0.2 Kg)
Operating Temperature	32°F ~ 140°F (0°C ~ 60°C)
Storage Temperature	-40°F ~ 176°F (-40°C ~ 80°C)
Operating Humidity	0% ~ 90% relative humidity, non-condensing
MTBF (Hours)	TBC
Certification	CE/FCC (TBC)
Display	
HDMI	Via daughter board and FPC HDMI Port Type A in daughter board
eDP	—
LVDS	—
MIPI	4-lane MIPI DSI interface
RF Function	
WiFi	Support via M.2 WiFi/BT module (Optional) (E Key) (PCIe I/F)
BT	Support via M.2 WiFi/BT module (Optional) (E Key) (PCIe I/F)

I/O	
Ethernet	GbE x 1
USB Port	USB 2.0 Type C OTG x 1 USB 2.0 Type A x 2
Serial Port	RS-232/422/485 x 1 RS-232 Pin header x 1 Debug Port x 1
Audio	Audio Line Out x 1
GPIO	28 GPIOs in 40-pin Raspberry Pi connector
Expansion Slot	40-pin Raspberry Pi connector x 1 Full-size mini-PCIe slot x 1 (For LTE module) (USB I/F)
SIM Slot	Micro-SIM
SD Socket	Push-Push Micro-SD card slot x 1
Camera	4-lane MIPI CSI interface

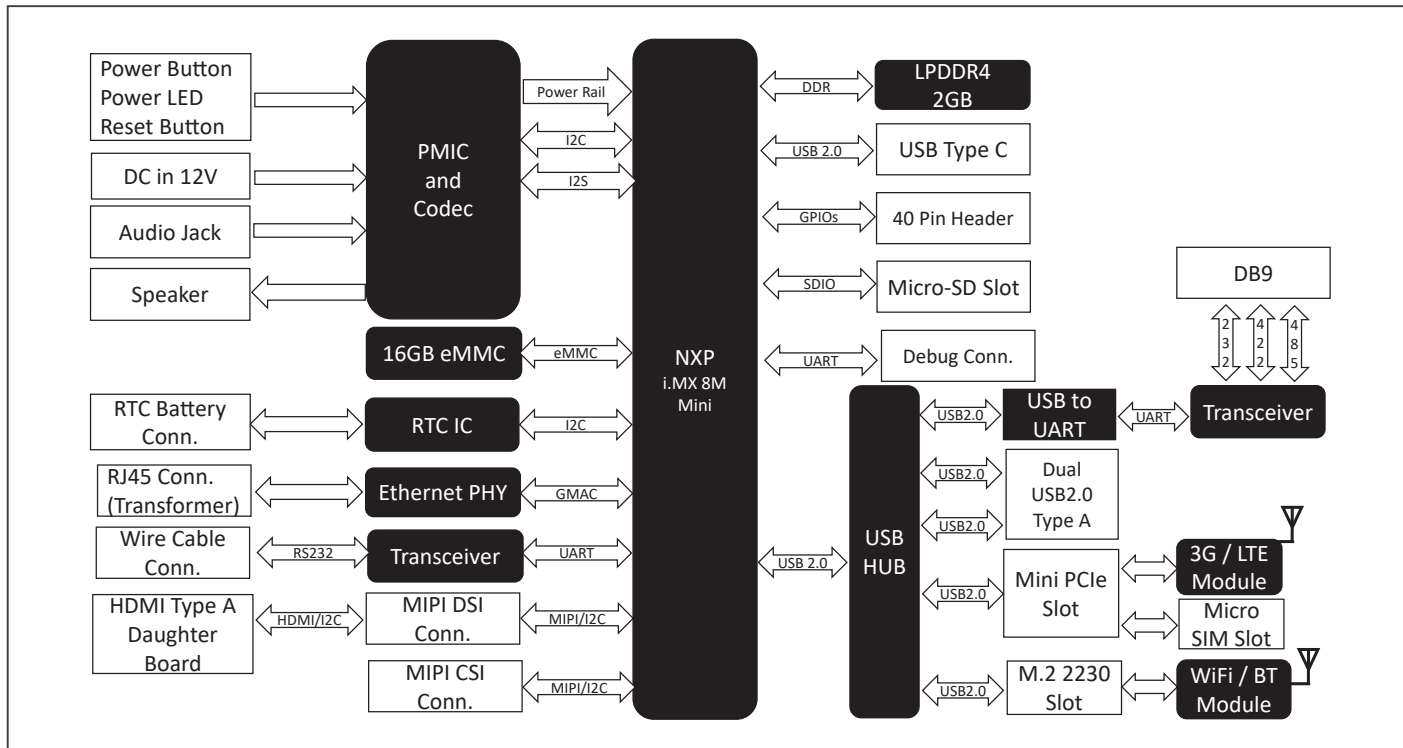
Packing List

- RTC Battery
- RICO-MX8M

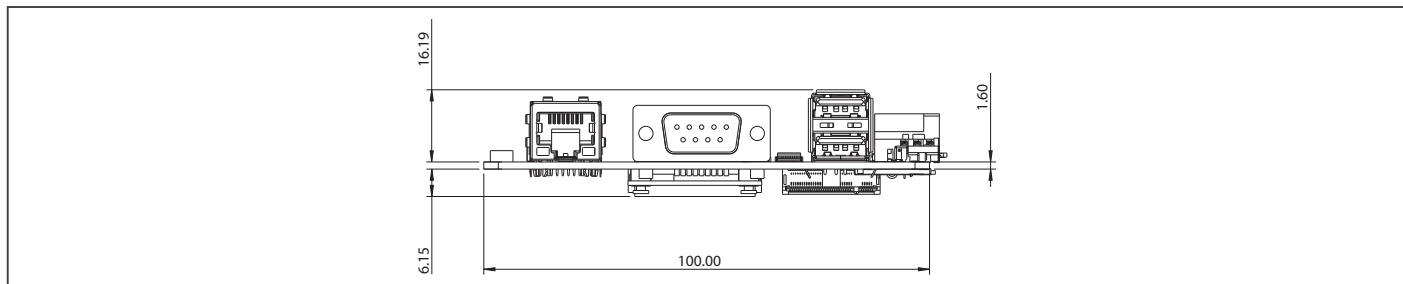
Optional Accessories

Part Number	Description	Qty.
TBD	12V/xxW Power Adapter	1

Block Diagram Unit: mm



Dimension Unit: mm



Ordering Information

- TBD