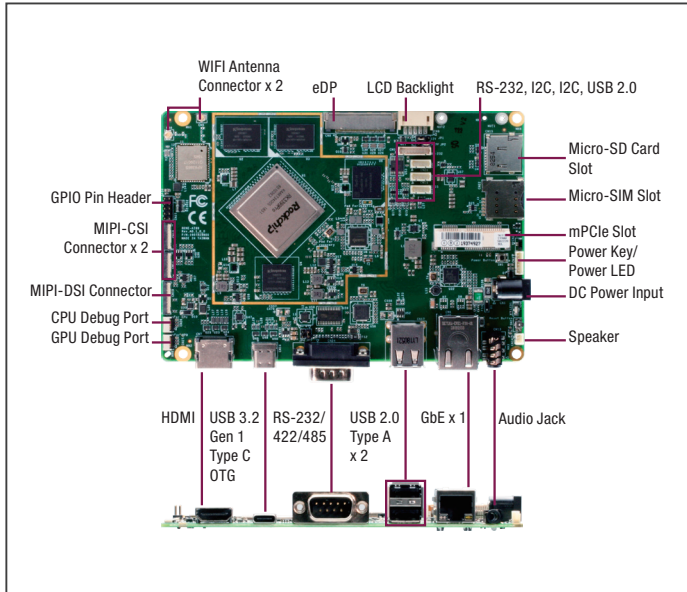


3.5" Board with Rockchip RK3399Pro for AI



Features

- Rockchip RK3399Pro
- NPU: Up to 3.0TOPS
- Onboard LPDDR4 2GB (Optional)/4GB for CPU
- Onboard LPDDR3 1GB for NPU
- Onboard eMMC 16GB and Micro-SD Card Slot
- HDMI (2.0), eDP, MIPI
- WiFi 802.11 a/b/g/n/ac, BT V5.0, GPS (Optional), NFC (Optional)
- GbE: RJ45 x 1
- USB 3.2 Gen 1: OTG x 1, USB 2.0: Type A x 2, Wafer x 1
- RS-232/422/485 x 1, RS-232 x 1
- 8-bit GPIO, I2C, mPCIe Slot x 1
- +12V DC Input
- OS Support: Debian
- Board Size: 146mm x 101mm (3.5")



Specifications

System	
Form Factor	3.5" (146mm x 101mm)
CPU	Rockchip RK3399Pro ARM Cortex™-A72 Dual-core 1.8GHz and Cortex™-A53 Quad-core 1.4GHz
GPU	Mali-T860MP4
Graphics	Video Decode: MPEG-1, MPEG-2, MPEG-4, H.263, H.264, H.265, VC-1, VP8, VP9, MVC Video Encode: H.264 UP to HP@level4.1, MVC and VP8
Memory Capacity	Onboard LPDDR4 4GB for CPU Onboard LPDDR3 1GB for NPU
Storage/SSD	16GB eMMC and Micro-SD card
Operating System	Debian
Kernel	4.4 (TBC)
Watchdog Timer	Integrated
Power Requirement	+12V DC input
Power Consumption (Typical)	TBC
Dimension	5.75" x 3.98" (146mm x 101mm)
Gross Weight	0.55 lb (0.25 Kg)
Operating Temperature	32°F ~ 140°F (0°C ~ 60°C)
Storage Temperature	-40°F ~ 176°F (-40°C ~ 80°C)
Operating Humidity	0% ~ 90% relative humidity, non-condensing
MTBF (Hours)	TBC
Certification	CE/FCC (TBC)
Display	
HDMI	HDMI (2.0) up to 4K x 2K @ 60Hz
eDP	Up to 4K x 2K @ 60Hz
LVDS	—
MIPI	Dual channel MIPI-DSI (4 lanes per channel) x 1 Up to 2560 x 1440 @60Hz
RF Function	
WiFi	802.11 a/b/g/n/ac
BT	Bluetooth V5.0

I/O	
Ethernet	GbE x 1
USB Port	USB 3.2 Gen 1 Type C OTG x 1 USB 2.0 Type A x 2, USB 2.0 Wafer x 1
Serial Port	RS-232/422/485 x 1 RS-232 Wafer x 1, Debug port connector x 2
Audio	Audio Line Out Jack x 1, Speaker Wafer x 1
GPIO	8-bit (4-in, 4-out) Pin header x 1, I2C Wafer x 2
Expansion Slot	Full-size mini-PCIe slot x 1 (For 3G/4G card)
SIM Slot	Micro-SIM
SD Socket	Push-Push Micro-SD card slot x 1
Camera	MIPI-CSI x 2

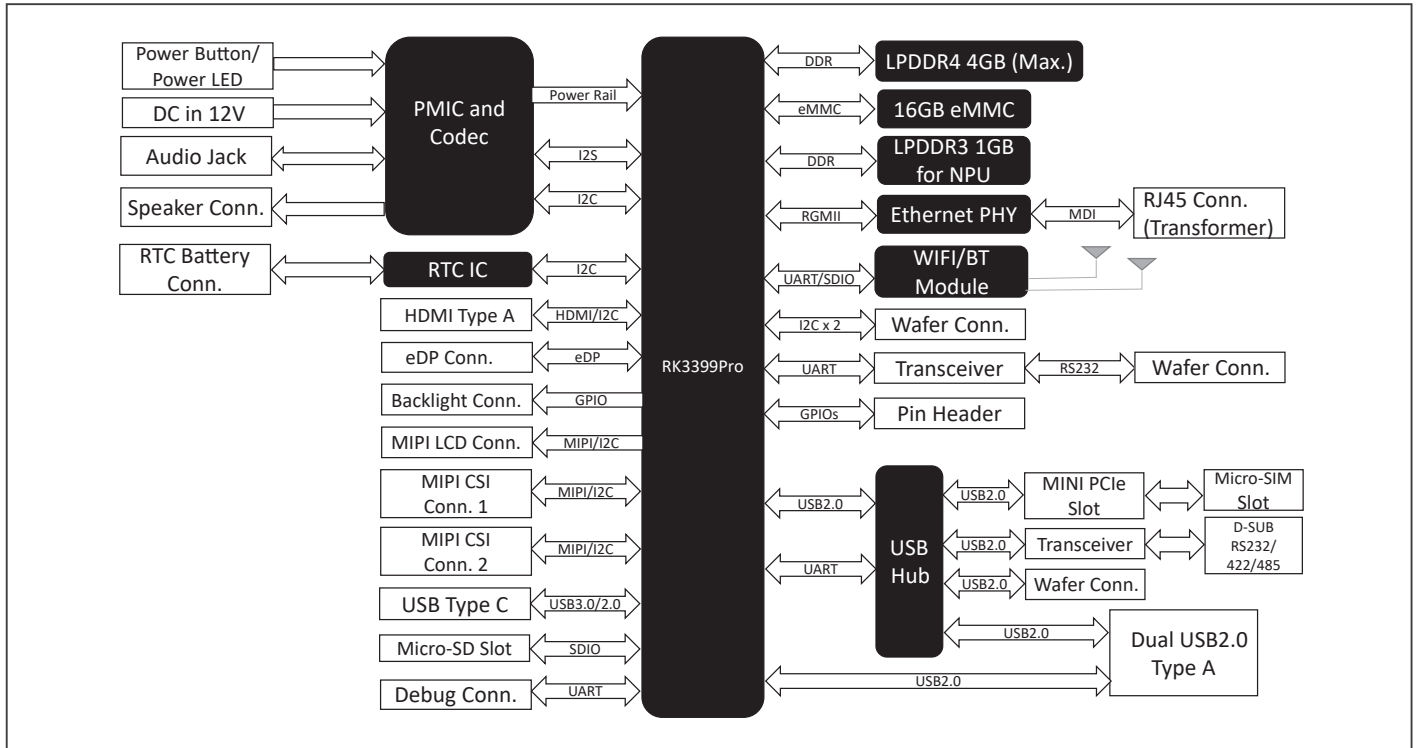
Packing List

- RTC Battery
- RENE-AI99

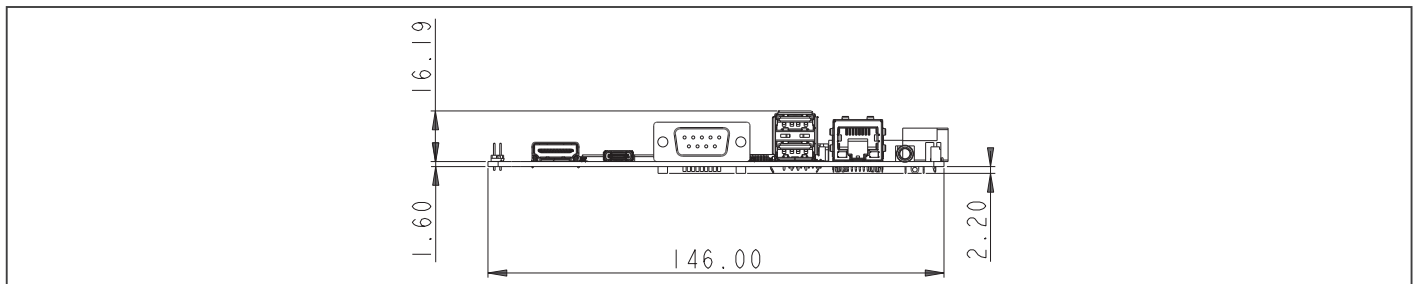
Optional Accessories

Part Number	Description	Qty.
TBD	12V/xxW Power Adapter	1

Block Diagram Unit: mm



Dimension Unit: mm



Ordering Information

- TBD