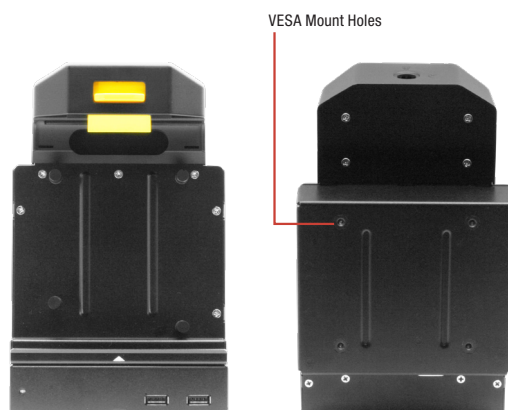
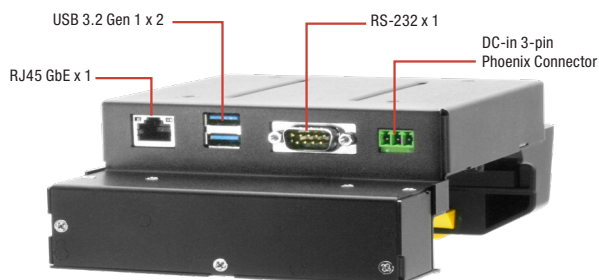


RDS-0710

Rugged Docking Station for RTC-710RK, RTC-710AP



Features

- Apply on RTC-710RK, RTC-710AP
- Front-facing I/Os: USB 2.0 x 2
- Downward-facing I/Os for Easy Cable Management: USB 3.2 Gen 1 x 2, RS-232 x 1, RJ45 GbE x 1, DC-in Phoenix Connector x 1
- Wide Voltage Input: 9VDC ~ 36VDC
- Power Adaptor: AC Power Adaptor (Default)
- Anti-theft Lock with Key & VESA Mount Support (75x75)

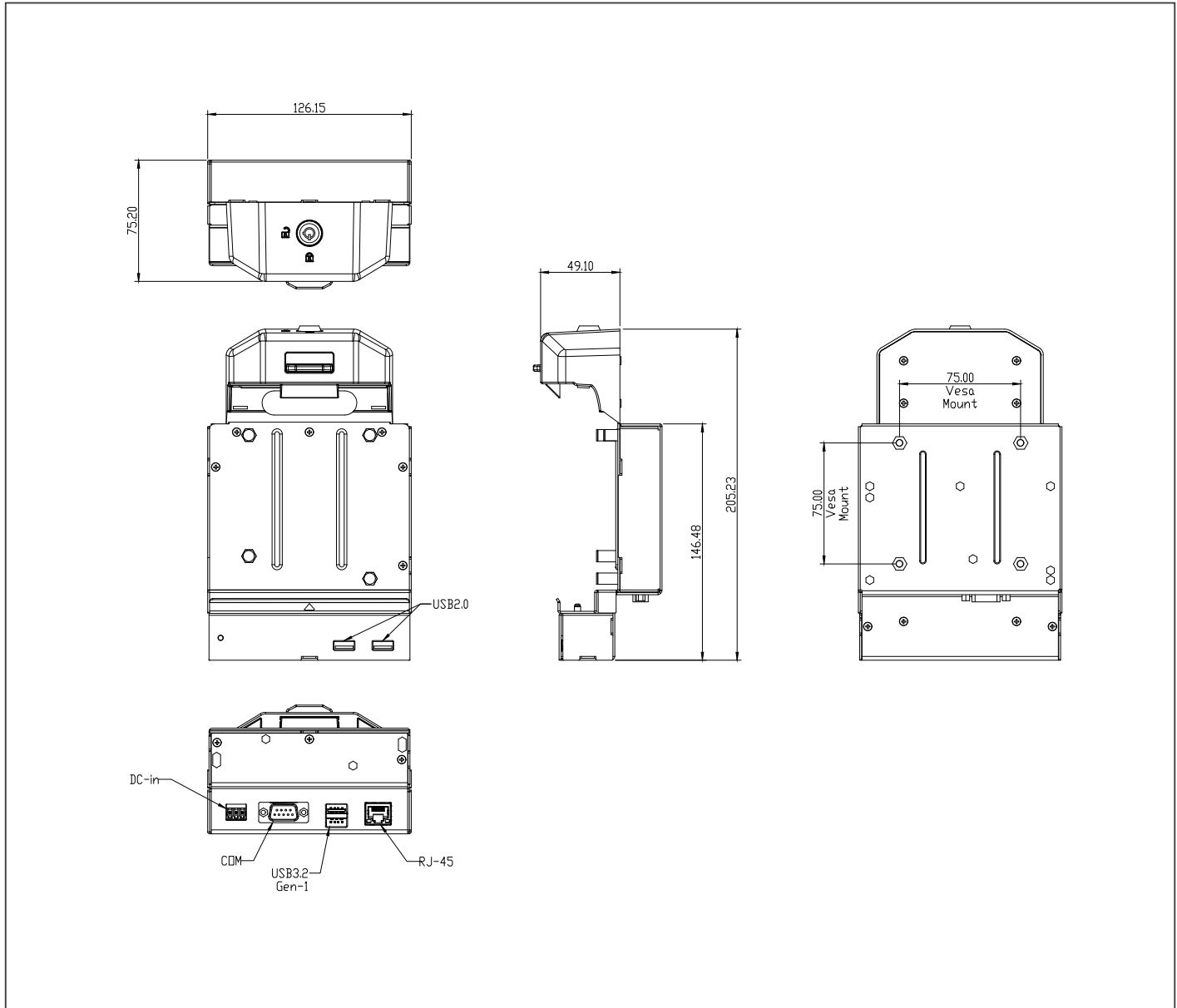


Specifications

System	
I/O	Front-facing I/Os: USB 2.0 x 2 Downward-facing I/Os: USB 3.2 Gen 1 x 2 RS-232 x 1 RJ45 GbE x 1
DC Input	Phoenix connector: DINKLE ECH381H-03P Wide Voltage Input: DC 9V to 36V Mating connector: DINKLE EC381V-03P
LED Indicator	Orange: DC in w/o Tablet Blue: DC in w/ Tablet
Others	Anti-theft lock with key & VESA mount support (75x75)
Mechanical	
Color	Black
Construction	Metal
Dimensions (W x H x D)	8.07" x 4.96" x 2.96" (205mm x 126mm x 75mm)
Gross Weight	1.8 lb (0.82Kg)
Environmental	
Operating Temperature	-4°F ~ 140°F (-20°C ~ 60°C)
Storage Temperature	-22°F ~ 158°F (-30°C ~ 70°C)
ESD	Air charge: +/- 8KV Contact charge: +/- 4KV
EMC/ Safety	CE / FCC Class A
Power Supply	
AC/DC Adapter	AC 100V ~ 240V, 50Hz ~ 60Hz, Output: 12V/3.34A/40W DC connector: DINKLE EC381V-03P
DC/DC Adapter	—

Dimension

Unit: mm



Ordering Information

- **RDS-0710-000**
Docking Station.USBx4.RS-232.RJ45.DC Connector.9-36V Input
- **RDS-0710-001**
Docking Station.USBx4.RS-232.RJ45.DC Connector.9-36V Input.W/ Stand

Packing List

- **RDS-0710**
- **125530040D**
AC-To-DC Power Adaptor, 12V, 40W
*Power cord must be purchased separately.

Optional Accessories

- **170203J000**
DC Input Cable, 2 Meters, One Side With Mating Connector: DINKLE EC381V-03P, One Side With Flying Wires