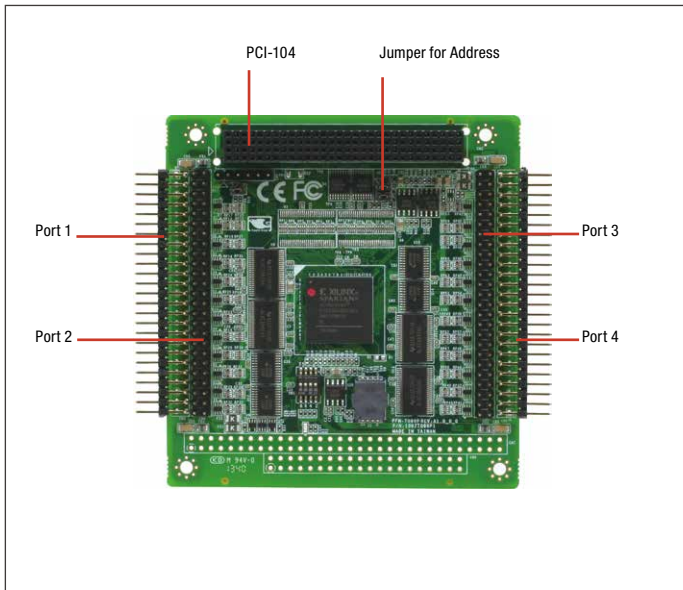


## 96-CH PCI-104 Digital I/O Module



## Features

- PFM-T096P DAQ Modules
- 96-ch PCI-104 Digital I/O Module
- 96-Channel Digital I/O
- Interrupt Features Support
- Counter Feature Support
- PCI-104 Form Factor
- PCI-104 Interface
- SDK & Utility Ready

## Specifications

System		
Chipset	XILINX XC3S200AN BGA 256, SN74ALVC245	
Host Interface	PCI-104	
Digital I/O	96-Channel Digital I/O (Bi-Directional) Software Configurable Input and Output	
	Compatibility	5V/TTL
	Output Capability	Low: $\leq 0.55V$ , sink 24mA High: $\geq 3.7V$ , source 24mA
Input Capability	Low: $\leq 0.8V$ , sink 24mA High: $\geq 2V$ , source 24mA	
	Interrupt mode	Disable: No interrupt Edge: Falling or Rising edge, an interrupt occurs Level: Low or High level, interrupt occurs repeatedly Change State: Data status changed, an interrupt occurs Pattern Match: Pattern matching, interrupt occurs.
Counter	Up Count	0~65535
	Down Count	
Power Requirement	+5V through PCI-104 connector	
System Cooling	Fanless	
Mechanical		
Dimension	PC/104 Board – 90mm x 96mm	
I/O Connectors	4 x 50-pin box header	
Gross Weight	0.13 lb (0.06 kg)	
Net Weight	0.66 lb (0.3 kg)	
Certification	CE/FCC	
Environmental		
Operation Temperature	32°F ~ 140°F (0°C ~ 60°C)	
Storage Temperature	-40 °F ~ 176 °F (-40 °C ~ 80 °C)	
Operation Humidity	0% ~ 90% relative humidity, non-condensing	
MTBF	—	
OS support	Windows® XP, Windows® 7, Linux Fedora	



## Packing List

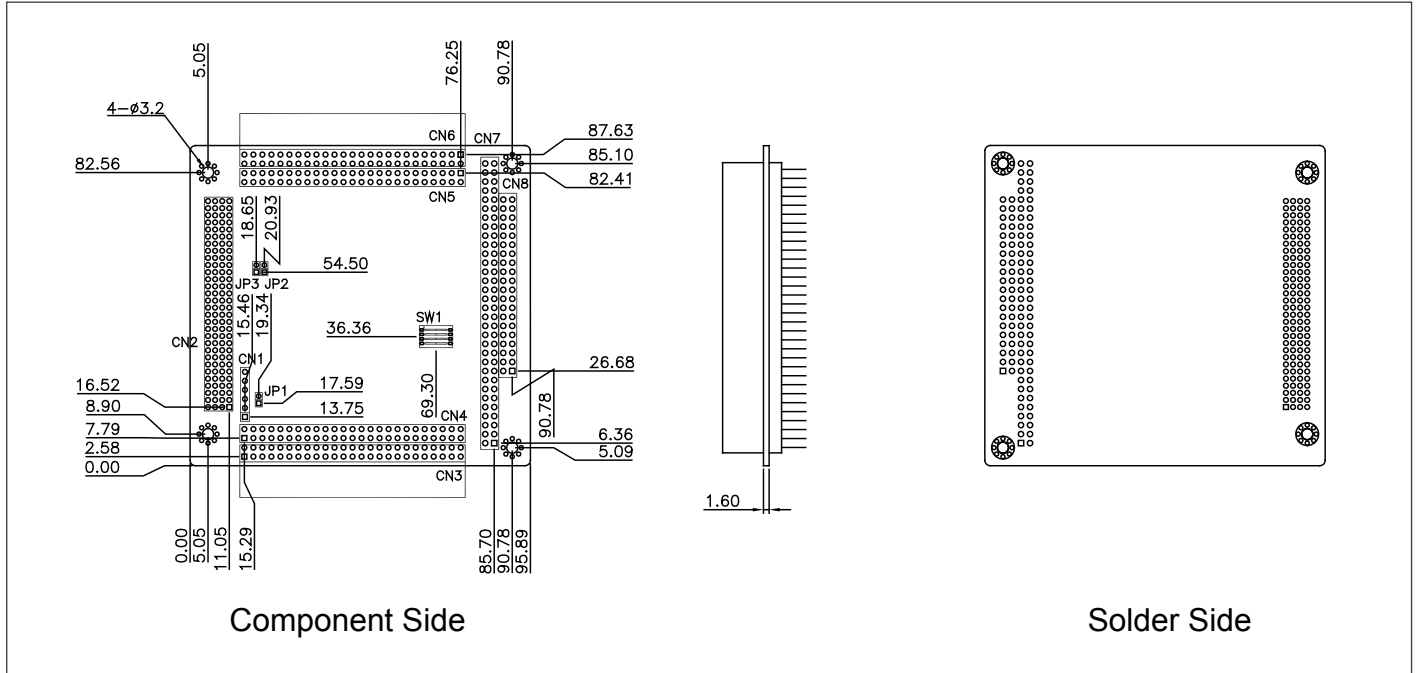
- Product CD
- PFM-T096P-A10

## Optional Accessories

- 1701500401: 50pin Flat Cable

### Dimension

Unit: mm



### Ordering Information

- **PFM-T096P-A10**  
96-ch Digital I/O, counter PCI-104 Module