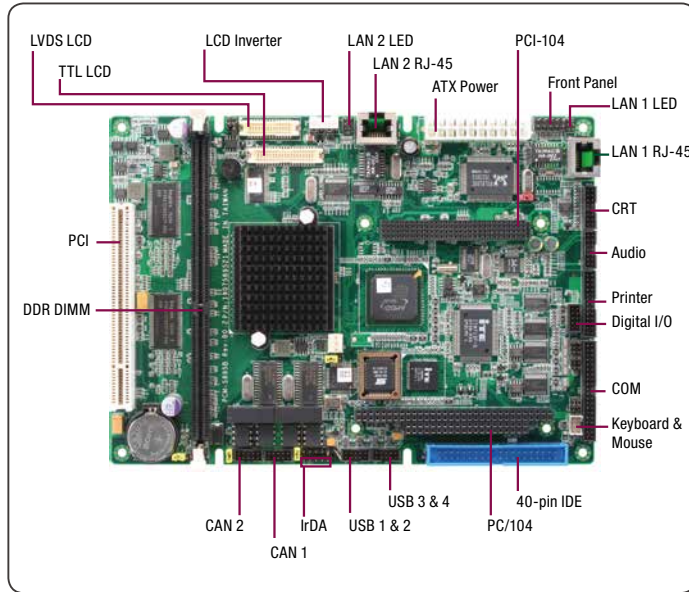


# 01 PCM-5895 Rev. B

Compact Boards

Compact Board with AMD Geode™ LX Series Processor



## Features

- AMD Geode™ LX800 Processor
- AMD Geode™ LX + CS5536
- DDR 333/400 MHz DIMM x 1, Up to 1 GB or Onboard DDR 333 Memory 256 MB
- 10/100Base-TX Ethernet x 2, RJ-45 x 2
- Up to 24-bit LVDS/TTL LCD, CRT
- Realtek ALC203
- Type 2 CompactFlash™ x 1, EIDE x 1
- USB x 4, COM x 4, 8-bit Digital I/O x 1, Parallel x 1
- PCI x 1, PC/104+ (Optional)
- ATX Power
- CAN Bus x 2 (Optional)

## Specifications

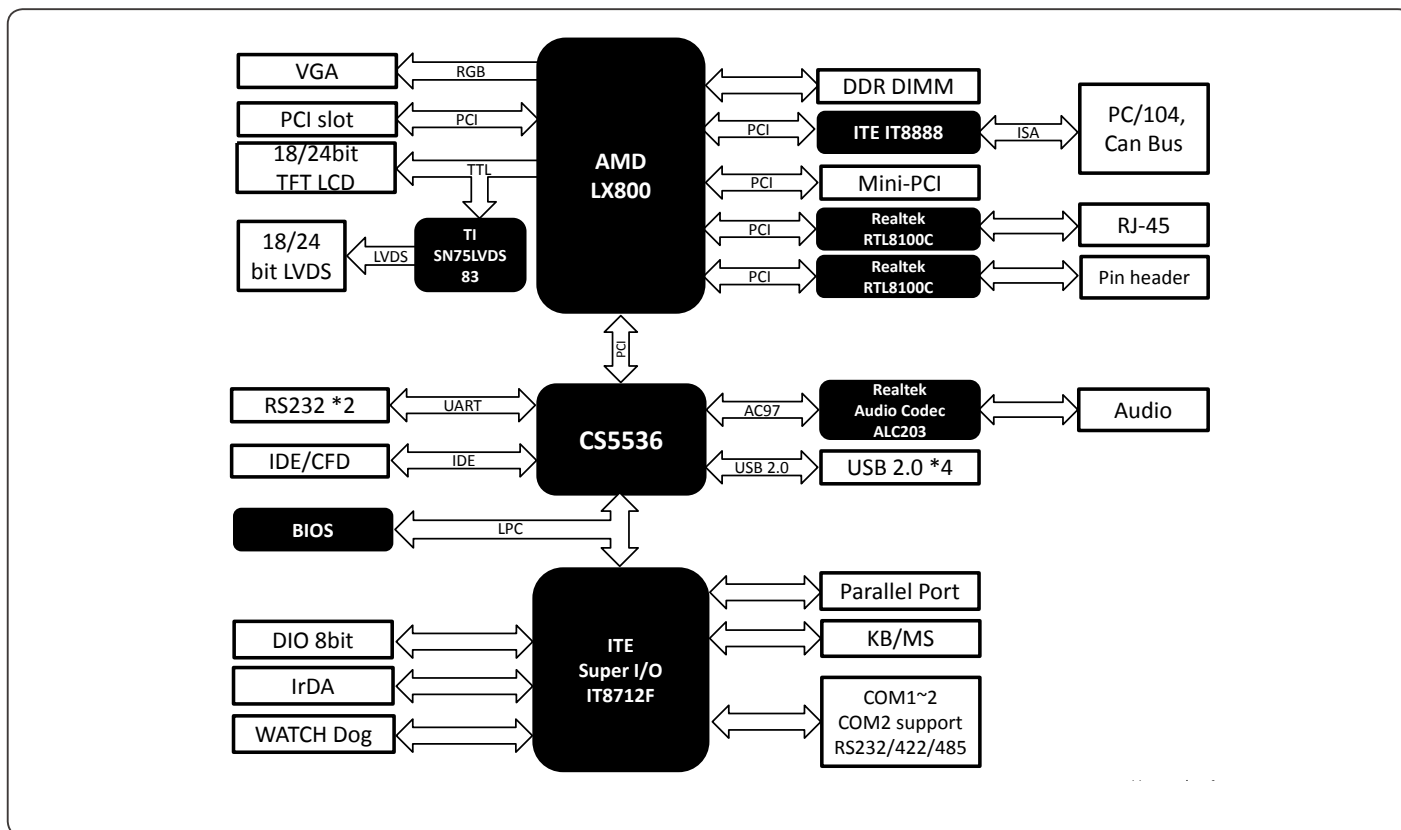
System	
Form Factor	5.25" Compact Board
CPU	Onboard AMD Geode™ LX 800
CPU Frequency	Up to 500 MHz
Chipset	AMD Geode™ LX 800 + CS5536
Memory Type	SDRAM DDR333/400 DIMM x 1 or Onboard memory
Max. Memory Capacity	1 GB DIMM x 1 or onboard memory 256 MB
BIOS	Award 1 MB
Wake on LAN	Yes
Watchdog Timer	255 Levels
Power Requirement	ATX
Power Supply Type	AT/ ATX
Power Consumption (Typical)	AMD Geode™ LX 800 (500 MHz) DDR400 256 MB 2.33A@+5V
Dimension (L x W)	8" x 5.75" (203mm x 146mm)
Operating Temperature	32°F ~ 140°F (0°C ~ 60°C)
Storage Temperature	-40°F ~ 176°F (-40°C ~ 80°C)
Operating Humidity	0% ~ 90% relative humidity, non-condensing
MTBF (Hours)	80,000
Certification	CE/FCC
Display	
VGA/LCD Controller	AMD Geode™
Video Output	LVDS/TTL, CRT
Backlight Inverter Supply	Max. 12V
I/O	
Ethernet	10/100Base-TX x 2, Realtek RTL8100C
Audio	Realtek ALC203
USB Port	USB2.0 x 4
Serial Port	RS-232 x 3, RS-232/422/485 x 1
Parallel Port	SPP/EPP/ECP x 1
HDD Interface	UDMA100 x 1
FDD Interface	—
SSD	CompactFlash™
Expansion Slot	PCI, PC/104+, CAN x 2 (Optional)
PWM LCD Support	—
DIO	8 bit
TPM	—
Touch	—



## Packing List

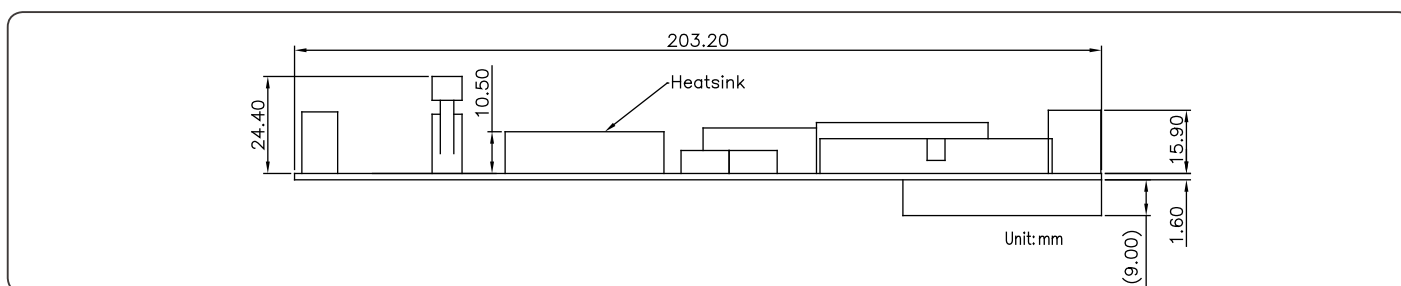
- 9657666000  
Jumper Cap
- Product CD
- PCM-5895 Rev. B

## Block Diagram



## Dimension

Unit: mm



## Ordering Information

Part Number	CPU	Memory	Fan/Fanless	Display	LVDS	Storage	LAN	USB	RS-232	RS-232/422/485	Expansion Slot	Power	Temp.	Others
TF-PCM-5895-B10	AMD Geode LX800	DDR x 1 (Max. 1 GB)	Fanless	CRT + LVDS CRT + TTL	18b, 1CH	IDE x 1 CompactFlash™ x 1	FE x 2	4	3	1	PCI x 1	ATX	0°C ~ 60°C	DIO 8-bit Audio LPT PS/2
TF-PCM-5895-B10-03	AMD Geode LX800	DDR onbard 256 MB	Fanless	CRT + LVDS CRT + TTL	24b, 1CH	IDE x 1 CompactFlash™ x 1	FE x 2	4	3	1	PCI x 1 PC/104+ x 1 CAN Bus x 2	ATX	0°C ~ 60°C	DIO 8-bit Audio LPT PS/2