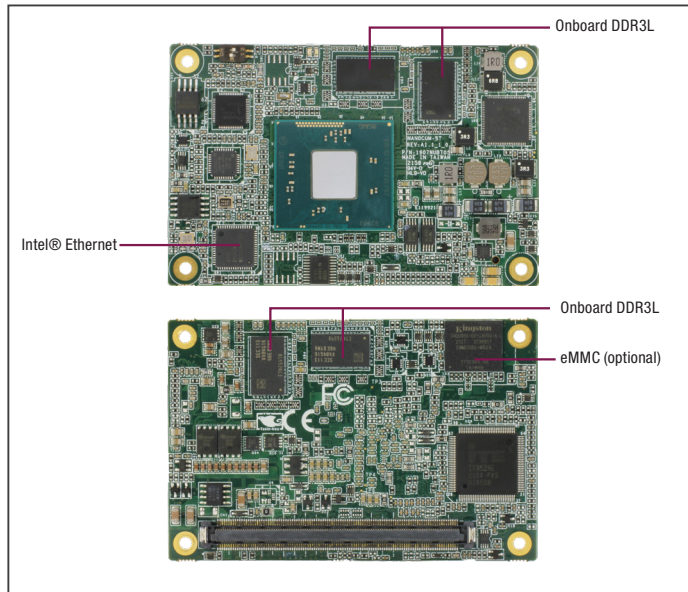


NanoCOM-BT

COM Express Type 10 with Intel Atom® E/Celeron® Processor N Series Processors



Features

- Onboard DDR3L, up to 2GB
- Onboard eMMC, up to 8GB
- LVDS x 1, DDI x 1
- USB 2.0 x 7, USB 3.2 Gen 1 x 1
- PCIe [x1] x 3
- Intel® I210-AT GbE x 1
- COM Express Type 10, 3.31" x 2.17" (84mm x 55mm)



Specifications

System	
Form Factor	COM Express Mini Size, Type 10
CPU	Intel Atom® Processor E Series: Intel Atom® Processor E3845 (4C/4T, 1.91 GHz, 10W) Intel Atom® Processor E3825 (2C/2T, 1.33 GHz, 6W) Intel® Celeron® Processor N Series: Intel® Celeron® Processor N2930 (4C/4T, 1.83 GHz, 7.5W) Intel® Celeron® Processor N2807 (2C/2T, 1.58 GHz, 4.3W)
Chipset	Integrated with Intel® SoC
Memory	Onboard DDR3L 1333MHz, up to 2GB
Onboard Storage	eMMC, up to 16GB (Optional)
BIOS	AMI UEFI
Wake on LAN	Yes
Watchdog Timer	255 Levels
Dimension	3.31" x 2.17" (84mm x 55mm)
Security	—
Power	
Power Requirement	+12V and +5VSB for ATX, +12V for AT
Power Type	AT/ATX
Power Consumption (Typical)	Intel Atom® Processor E3845, 0.7A @+12V
Display	
Graphics Controller	Intel® HD Graphics
Video Output	Dual Display: DDI x 1, up to 2560 x 1440 18/24-bit Single-Channel LVDS/eDP x 1, up to 1366 x 768
I/O	
Ethernet	Intel® I210-AT/IT GbE x 1
Audio	High Definition Audio Interface
USB Port	USB 2.0 x 7, USB 3.2 Gen 1 x 1
Serial Port	2-Wire UART x 2 (Tx/Rx)
HDD Interface	SATA II x 2
Expansion	PCIe 2.0 [x1] x 3 LPC x 1
GPIO	8-bit

SMBus/I2C	I2C x 1, SMBus x 1
Environment	
Operating Temperature	32°F ~ 140°F (0°C ~ 60°C) Optional: -40°F ~ 185°F (-40°C ~ 85°C)
Storage Temperature	-40°F ~ 185°F (-40°C ~ 85°C)
Operating Humidity	0% ~ 90% relative humidity, non-condensing
EMC	CE/FCC Class A
OS Support	Windows® 10 (64-bit) Linux Ubuntu 16.04.7/Kernel 4.15.0
Weight	0.15 lb. (0.07Kg)

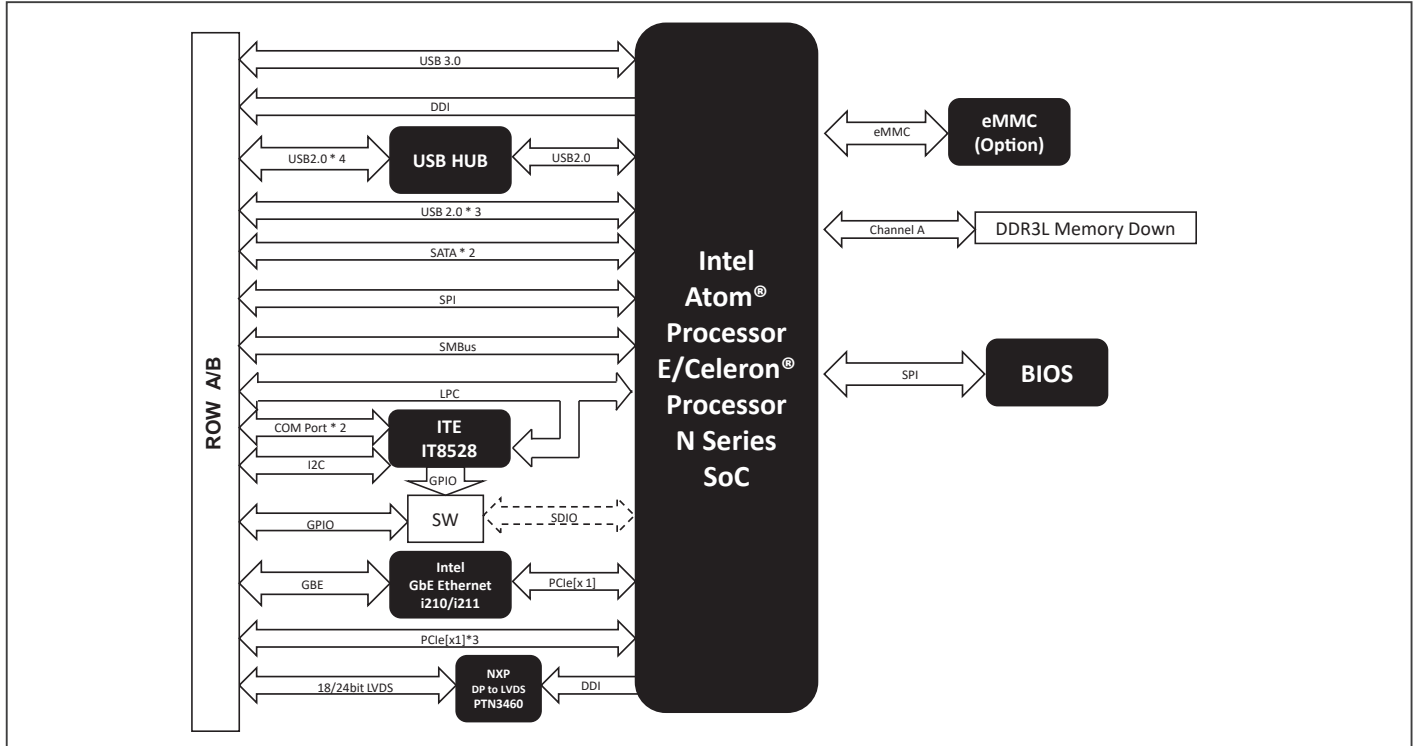
Packing List

- NANOCOM-BT

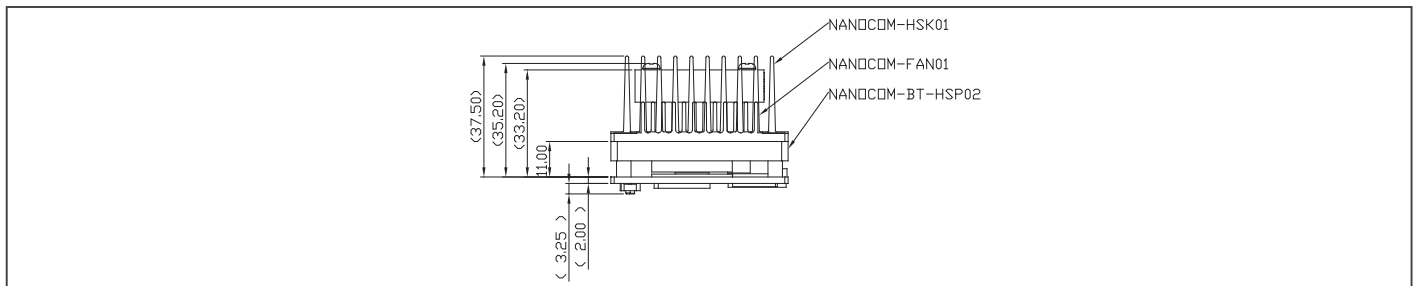
Optional Accessories

Part Number	Description
ECB-920A-A11-0001	COMe Type 6/10, Carrier Board, ATX, 2.5GbE, 8USB, 2COM, 4SATA, PCIe, AT/ATX, Rev. A1.1
NANOCOM-BT-HSP02	Heat Spreader, 84 x 55 x 11mm, Black, NanoCOM-BT
NanoCOM-FAN01	Cooler, 84 x 55 x 22.2mm, use w/HSP
NANOCOM-HSK01	Heatsink, 84 x 55 x 26.5mm, use w/HSP

Block Diagram Unit: mm



Dimension Unit: mm



Ordering Information

Part Number	COM Express Type	CPU	Memory	ECC support	Display	Storage	LAN	USB	UART	Expansion	Power	Temperature	Others
NANOCOM-BT-A11-0001	Type 10	Intel® Celeron® Processor N2930	2GB Onboard DDR3L	—	LVDS x 1, DDI x 1	SATA III x 2	Intel® I210-AT x 1	USB 3.2 Gen 1 x 1 USB 2.0 x 7	2-Wire UART x 2 (Tx/Rx)	PCIe [x1] x 3	12V	0°C ~ 60°C	LPC, GPIO 8-bit, I2C, SMBus
NANOCOM-BT-A11-0002	Type 10	Intel® Celeron® Processor N2807	2GB Onboard DDR3L	—	LVDS x 1, DDI x 1	SATA III x 2	Intel® I210-AT x 1	USB 3.2 Gen 1 x 1 USB 2.0 x 7	2-Wire UART x 2 (Tx/Rx)	PCIe [x1] x 3	12V	0°C ~ 60°C	LPC, GPIO 8-bit, I2C, SMBus
NANOCOM-BT-A11-0003	Type 10	Intel Atom® Processor E3845	2GB Onboard DDR3L	—	LVDS x 1, DDI x 1	SATA II x 2, 8GB eMMC	Intel® I210-AT x 1	USB 3.2 Gen 1 x 1 USB 2.0 x 7	2-Wire UART x 2 (Tx/Rx)	PCIe [x1] x 3	12V	0°C ~ 60°C	LPC, GPIO 8-bit, I2C, SMBus
NANOCOM-BT-A11-0006	Type 10	Intel Atom® Processor E3825	2GB Onboard DDR3L	—	LVDS x 1, DDI x 1	SATA II x 2, 8GB eMMC	Intel® I210-AT x 1	USB 3.2 Gen 1 x 1 USB 2.0 x 7	2-Wire UART x 2 (Tx/Rx)	PCIe [x1] x 3	12V	0°C ~ 60°C	LPC, GPIO 8-bit, I2C, SMBus