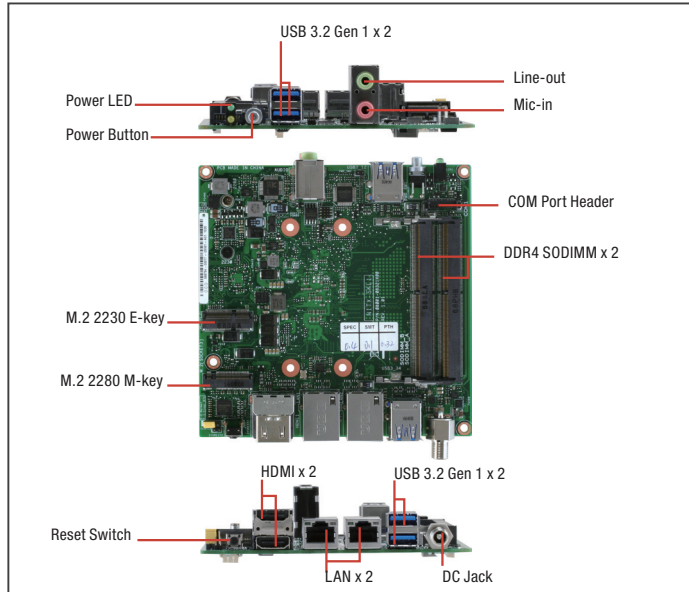


NITX-SKL1

6th Generation Intel® Core™ 15W Processor Nano-ITX Board with HDMI x 2, LAN Port x 2, COM Port x 1 and USB Port x 4



Features

- 6th Generation Intel® Core™ i7/i5/i3/Celeron® 15W BGA Processor
- Dual Gigabit Ethernet
- Dual HDMI Port
- USB 3.2 Gen 1 Port x 4
- COM Port x 1



Specifications

| System | |
|--------------------------|---|
| Processor | 6th generation Intel® 14nm ULT Core™, BGA CPU, 15W TDP. i7-6600U 2C/4T GT2 2.6/3.4 GHz 4M/ i5-6300U 2C/4T GT2 2.4/3.0 GHz 3M/ i3-6100U 2C/4T GT2 2.3 GHz 3M/ Celeron® 3955U 2C/2T GT1 (f) 2.0 GHz 2M |
| Chipset | Integrated into SoC |
| Memory | SODIMM x 2, max. 32 GB, DDR4 2133/1867 MHz non-ECC, un-buffered memory |
| I/O Chipset | NCT5538D |
| Ethernet | Realtek 8111G Gb LAN x 2, RJ-45 x 2 |
| Audio | Realtek® ALC887 |
| TPM | — |
| Expansion Slots | M.2 2280 M-Key slot x 1 (PCIe x4 + SATA) M.2 2230 E-Key slot x 1 (PCIe+USB) |
| BIOS | 128Mbit Flash ROM, AMI BIOS |
| H/W Monitor | Temperature Monitor on CPU/System Voltage Monitor on Vcore/5V/3.3V/12V Fan Monitor on Chassis |
| WatchDog Timer | 1~255 steps by software program |
| Smart Fan Control | Chassis Fan |
| Wake On LAN / PXE | Yes (WOL/PXE) |
| Power State | S3, S4, S5 |
| Graphics | |
| Graphics Chipset | Integrated Graphics |
| Graphics Multi Display | HDMI + HDMI |
| VGA | — |
| DVI | — |
| HDMI | HDMI 1.4 up to 4096 x 2160@24Hz |
| Display Port | — |
| LVDS | — |
| eDP | — |
| Backlight Control | — |
| Environment & Power & ME | |
| Battery | Lithium battery |
| Power Requirement | DC Power x 1 (DC: 12V~19V, wide rage:12V-5%~ 19V+10%) |
| Operating Temperature | FANLESS : 0°C~40°C, FAN : 0°C~50°C |
| Storage Temperature | — |
| Operating Humidity | 20%~90% R/H, non-condensing |
| Certificate | CE & FCC class A |
| Form Factor | NANO ITX: 4.72" x 4.72" (120mm x 120mm) |
| Weight | — |
| MTBF (Hours) | — |

| Front Panel I/O | |
|----------------------|---|
| USB | USB 3.2 Gen 1 port x 2 |
| Audio | Audio Jack x 2: Line-out (green), Mic-in(pink) |
| Power | On/Off Button x 1 |
| Others | Power LED + HD LED x 1 |
| Rear Panel I/O Ports | |
| USB | USB 3.2 Gen 1 port x 2 |
| Display I/O | HDMI Connector x 2 |
| Audio I/O | — |
| LAN I/O | RJ-45 connector x 2 |
| Serial Port | — |
| PS/2 Port | — |
| Others | Reset Switch x 1, DC power jack x 1 |
| Internal I/O | |
| Serial port | RS-232 9PIN 1.25mm Header |
| Storage | M.2 2280 M-Key slot x 1 |
| FAN | Chassis Fan connector x 1 (3-pin, p=2.00mm) |
| Others | Reset Switch 2-pin header x 1, power button 2-pin header x 1, M.2 2230 E-Key slot x 1 |
| OS | |
| OS Support | Windows® 7 32-bit, Windows® 7 64-bit, Windows® 8.1 64-bit, Windows® 10 64-bit, Linux Fedora* 22 (64b) |

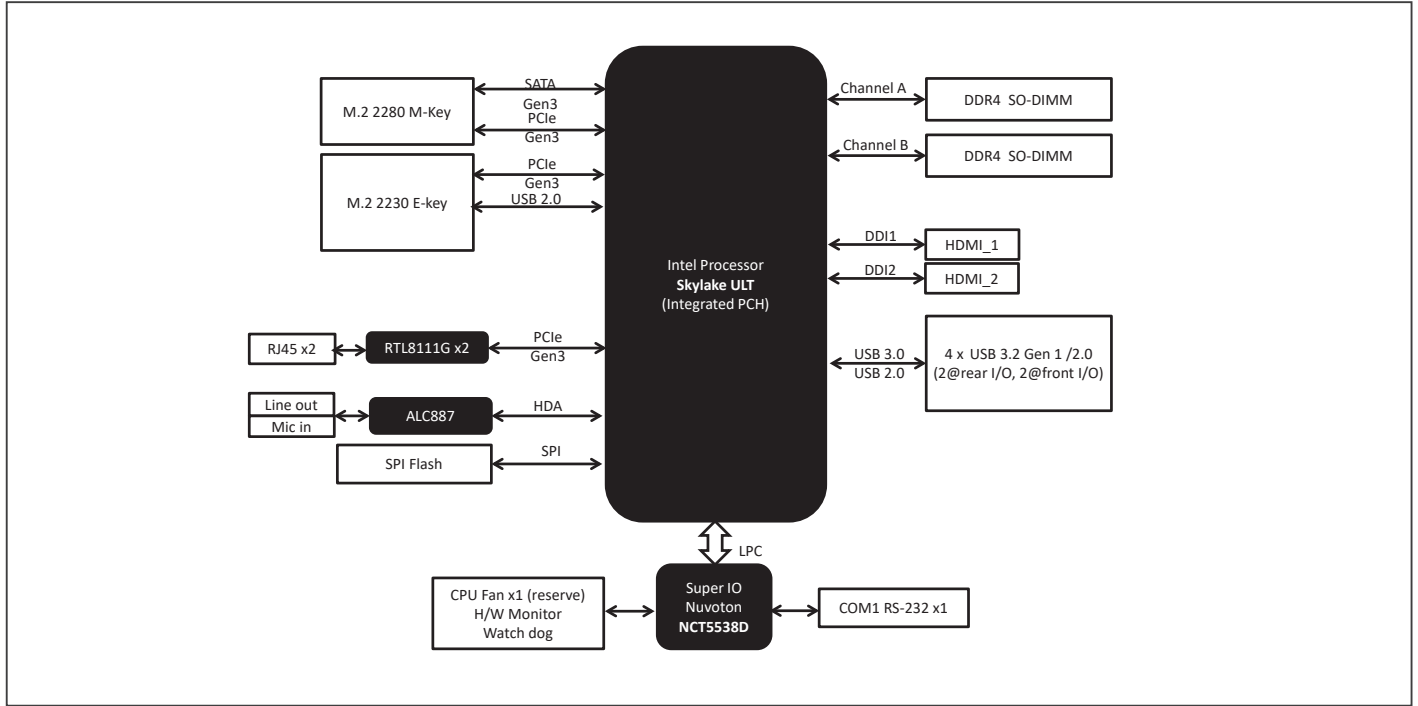
Packing List

- NITX-SKL1

Optional Accessories

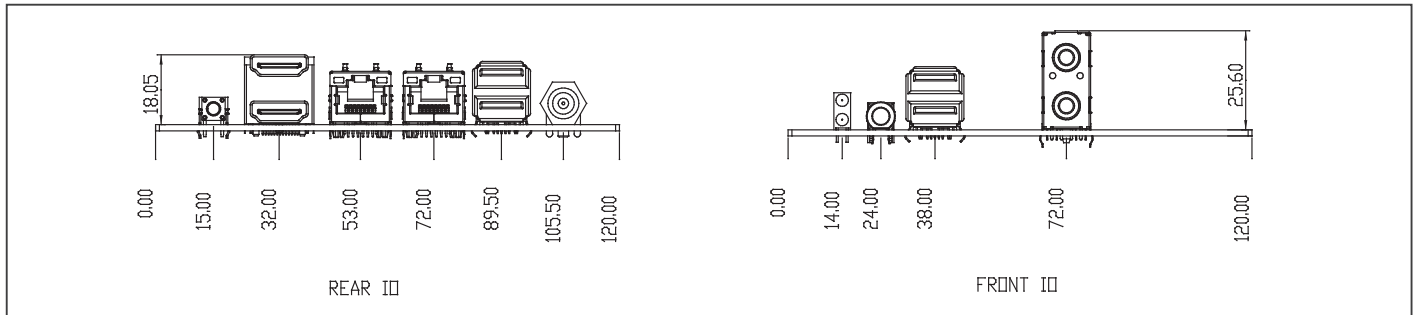
| Part Number | Description |
|-------------|--------------------|
| 1255300607 | 60W Power Adapter |
| 968C032G1L | M.2 2280 32GB SSD |
| 968C064G2X | M.2 2280 64GB SSD |
| 968C128G1G | M.2 2280 128GB SSD |

Block Diagram



Dimension

Unit: mm



Ordering Information

| Part Number | CPU | RAM | Fan/Fanless | Display | Storage | LAN | USB | USB | RS-232 | Expansion Slot | Power | Temp. |
|--------------------|-----------------------|-----------------------|---|----------|---------------------|---------|------------------------|------------------------|------------|---------------------|----------|--------------------------|
| NITX-SKL1-3955-A10 | Celeron 3955U 2.0G/2M | DDR4 2133/1867 SODIMM | Depends on customer's Mechanical design | HDMI x 2 | M.2 2280 M-key Slot | GbE x 2 | USB 3.2 Gen 1 Port x 4 | USB 3.2 Gen 1 Port x 4 | RS-232 x 1 | M.2 2230 E-Key Slot | DC12-19V | 32°F ~140°F (0°C ~ 60°C) |
| NITX-SKL1-6100-A10 | I3-6100U 2.3G/3M | DDR4 2133/1867 SODIMM | | HDMI x 2 | M.2 2280 M-key Slot | GbE x 2 | USB 3.2 Gen 1 Port x 4 | USB 3.2 Gen 1 Port x 4 | RS-232 x 1 | M.2 2230 E-Key Slot | DC12-19V | 32°F ~140°F (0°C ~ 60°C) |
| NITX-SKL1-6300-A10 | I5-6300U 2.4G/3M | DDR4 2133/1867 SODIMM | | HDMI x 2 | M.2 2280 M-key Slot | GbE x 2 | USB 3.2 Gen 1 Port x 4 | USB 3.2 Gen 1 Port x 4 | RS-232 x 1 | M.2 2230 E-Key Slot | DC12-19V | 32°F ~140°F (0°C ~ 60°C) |
| NITX-SKL1-6600-A10 | I7-6600U 2.6G/4M | DDR4 2133/1867 SODIMM | | HDMI x 2 | M.2 2280 M-key Slot | GbE x 2 | USB 3.2 Gen 1 Port x 4 | USB 3.2 Gen 1 Port x 4 | RS-232 x 1 | M.2 2230 E-Key Slot | DC12-19V | 32°F ~140°F (0°C ~ 60°C) |