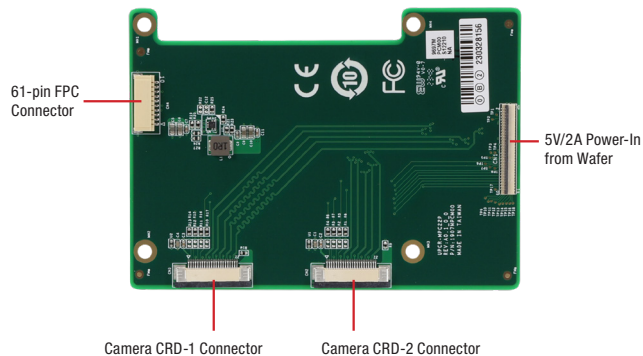


MIPICSI Camera RPI Converter Kit

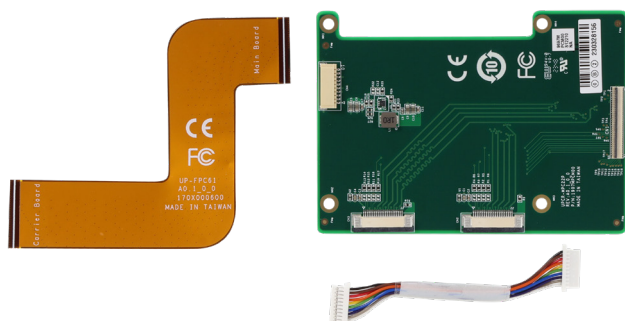


MIPI-CSI Camera RPI Converter Kit for UP Squared Pro 7000/UP Squared i12/UP Xtreme i12/UP Xtreme i14/UP Squared Pro 710H

RPI Converter board



MIPICSI Camera RVP Converter Kit



Features

- 4-Lane + Clock from Camera Module Connector x 2
- 5V/2A Power-In from Wafer

Specifications

System	
I/O	Power: 5V/2A In from Wafer MIPI-CSI In: 4-Lane + Clock from Camera Module Connector x 2 MIPI-CSI Out: 61-pin FPC Connector x 1
Dimension	3.3" x 2.4" (85mm x 61mm)
Net Weight	0.1 lb. (0.04Kg)
Gross Weight	0.13 lb. (0.06Kg)
Operating Temperature	32°F ~ 140°F (0°C ~ 60°C), 0.5m/s airflow
Operation Humidity	10% ~90% relative humidity, non-condensing
Certification	—

Packing List

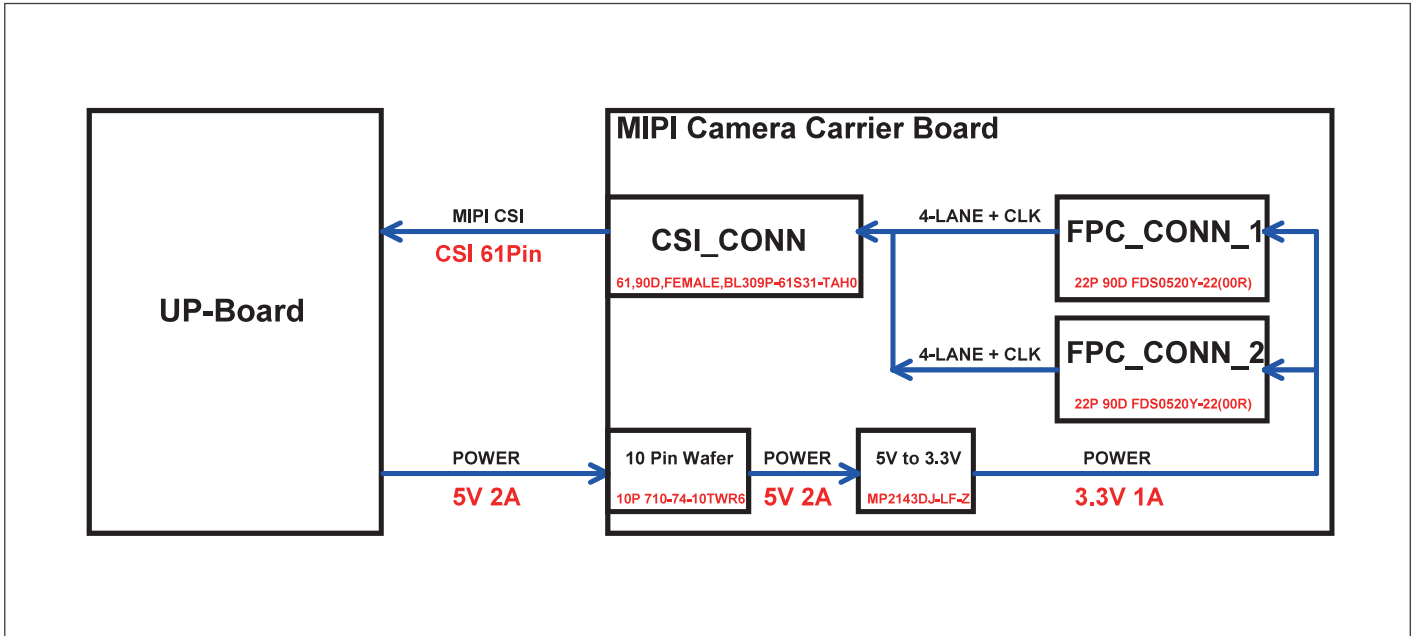
- Converter board
- FPC Cable
- Power Cable
- Screws/Stud Pack

Ordering Information

Part Number	Description
UPCR-CAMB-A10-0002	MIPI-CSI Camera RPI Converter Kit for UP Squared Pro 7000/UP Squared i12/UP Xtreme i12/UP Xtreme i14/UP Squared Pro 710H



Block Diagram



Dimension

Unit: mm

