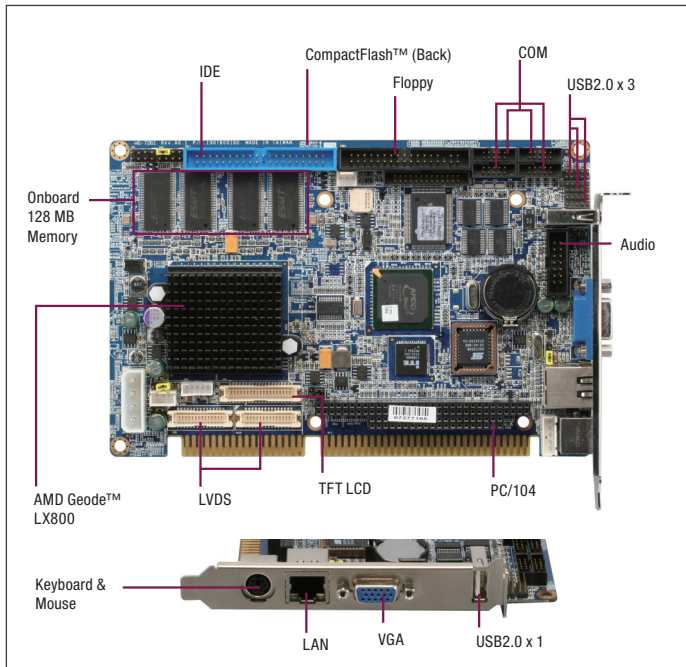


HSB-800I-A11

ISA Half-Size SBC with AMD Geode™ LX800 Processor

Half-Size SBCs - ISA



Features

- AMD Geode™ LX800 Processor
- AMD Geode™ LX800 + CS5536
- Onboard DDR 400 MHz, Up to 128 MB
- 10/100Base-TX Ethernet x 1 or Gigabit Ethernet x 1 (Optional)
- Integrated 2D Graphics Accelerator, VGA Support, CRT, TFT/ LVDS Support
- AC97 Codec Audio
- Ultra ATA33 x 1, CompactFlash™ Type 2 x 1
- USB2.0 x 4, COM x 4, Parallel x 1, IrDA x 1, Digital I/O
- PC/104 Expansion
- +5V, +12V Operation, AT Power



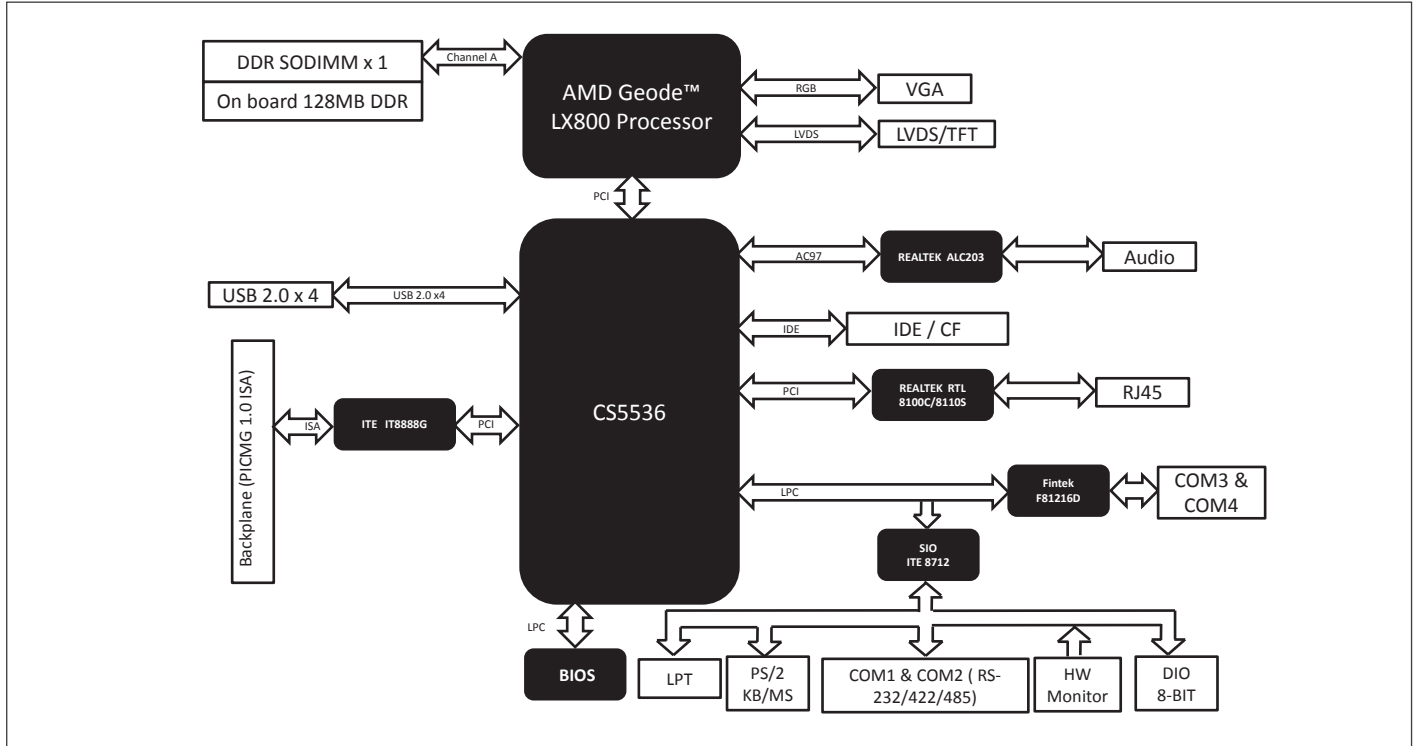
Specifications

System	
Form Factor	Half-size CPU Card
Bus Interface	ISA
CPU	Onboard AMD Geode™ LX800
Memory Type	Onboard 128 MB (DDR 400)
Chipset	AMD Geode™ LX800 + CS 5536
BIOS	Award
Wake on LAN	No
Watchdog Timer	255 Levels
Power Requirement	ATX 2.1
Power Consumption (Typical)	AMD LX800, DDR400 128MB 0.19A@+12V, 1.51A@+5V, 9.83W
Power Supply Type	+5V, +12V operation
Dimension (L x W)	7.3" x 4.8" (185mm x 122mm)
Operating Temperature	32°F ~ 140°F (0°C ~ 60°C)
Storage Temperature	-40°F ~ 176°F (-40°C ~ 80°C)
Operating Humidity	0% ~ 90% relative humidity, non-condensing
MTBF (Hours)	85,000
Certification	CE/FCC, Class A
Display	
VGA/LCD Controller	AMD Geode™ LX800
Video Output	1600 x 1200@32bpp at 100 MHz for CRT 1600 x 1200@24bpp for LCD
Backlight inverter supply	5V/12V
I/O	
Ethernet	10/100 or 10/100/1000Base-TX (optional)
Audio	Yes
USB Port	USB2.0 x 4
Serial Port	RS-232 x 3 RS-232/422/485 x 1
Parallel Port	1
HDD Interface	IDE x 1
FDD Interface	1
SSD	CompactFlash™
Expansion Slot	ISA, PC/104
DIO	8-bit Programmable (4-in/4-out)
TPM	—

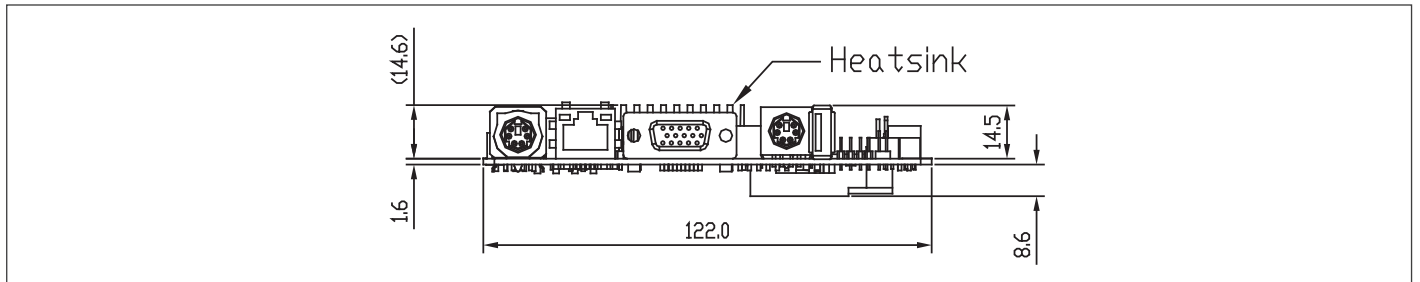
Packing List

- **1701260307**
Flat Cable.9P/DB9P MALE&25P DB25P FEMALE.10P 2mm&26P 2mm/IDC NO FOLD.30cm.W/BKT
- **1700060192**
Cable.6P-6P-6P.19cm.IVORY PS2/KB&Mouse
- **1701340704**
Flat Cable.34P.70cm.GRAY for FDD
- **1703030501**
Wire.3P 2.5mm Housing.3P 2.5mm Housing.50cm
- **170910020A**
Usb Cable.USB*2.5P 2.mm Housing*2.20cm.W/Bracket
- **1709140302**
Cable.Phone Jack*3.10 14P 2.54mm Housing.DB9P(M) 10P 2.0mm IDC.4P 2.54mm Housing.30cm.W/Basket
- **1701200301**
Flat Cable.9P DB9P MALE.10P 2.0mm Pitch*2.30cm.IDC NO FOLD.W/BRACKET
- **2087800I11**
CD-ROM.HSB-800I.Rev.A.2nd Ed.
- **HSB-800I-A11**

Block Diagram



Dimension Unit: mm



Ordering Information

Part Number	CPU	RAM	Fan/Fanless	Display	Storage	LVDS	LAN	USB	RS-232	RS-232/422/485	Expansion Slot	Power	Temp.
HSB-800I-A11-VG-0001	AMD Geode™ LX800	Onboard 128 MB DDR 400	Fanless	VGA + LVDS/TTL	IDE x 1, Floppy x 1, CF x 1	24b, 1CH	GbE x 1	USB2.0 x 4	3	1	ISA, PC/104	+5V, +12V, AT	0°C ~ 60°C
HSB-800I-A11-VE-0001	AMD Geode™ LX800	Onboard 128 MB DDR 400	Fanless	VGA + LVDS/TTL	IDE x 1, Floppy x 1, CF x 1	24b, 1CH	10/100 Mbps LAN x 1	USB2.0 x 4	3	1	ISA, PC/104	+5V, +12V, AT	0°C ~ 60°C