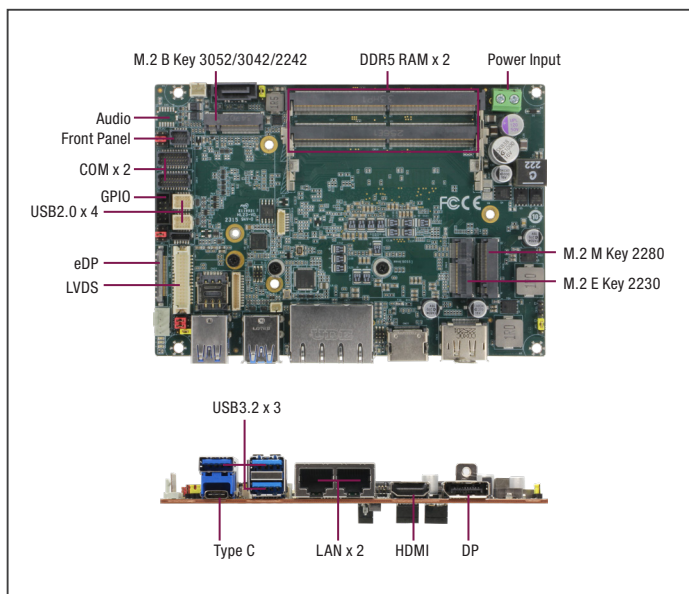


3.5" SubCompact Board with 12th Generation Intel® Core™ i7/i5/i3/Celeron® Processor SoC



Specifications

System	
Form Factor	3.5" SubCompact Board
CPU	12th Generation Intel® Core™/Celeron® Processors: Intel® Core™ i7-1270PE (4PC+8EC/16T, 1.80 GHz, 28W) Intel® Core™ i7-1265UE (2PC+8EC/12T, 1.70 GHz, 15W) Intel® Core™ i5-1250PE (4PC+8EC/16T, 1.70 GHz, 28W) Intel® Core™ i3-1220PE (4PC+4EC/12T, 1.50 GHz, 28W) Intel® Celeron® Processor 7305E (1PC+4EC/5T, 1.00 GHz, 15W)
Chipset	Integrated with Intel® SoC
Memory Type	DDR5 4800, Dual Channel SODIMM x 2, Max.64GB, Non-ECC
BIOS	UEFI
Wake on LAN	Yes
Watchdog Timer	255 Levels
Security	TPM 2.0 (Optional)
RTC Battery	Lithium Battery 3V/240mAh
Dimensions	5.75" x 4" (146mm x 101.7mm), 0.94 lbs (0.43 kg)
OS Support	Windows 10/11 (64bit) Ubuntu 22.04/Kernel 5.15.0–25-generic
Power	
Power Requirement	+9V~36V (Optional: +12V)
Power Supply Type	AT/ATX
Connector	Phoenix 2-pin Connector
Power Consumption	Intel® Core™ i7-1270PE, DDR5 32GB x 2, 5.72A @+12V (Typical) Intel® Core™ i7-1270PE, DDR5 32GB x 2, 7.95A @+12V (Max)
Display	
Controller	Intel® Iris® Xe Graphics Intel® UHD Graphics
LVDS/eDP	LVDS x 1, Dual Channel 18/24bit, up to 1920 x 1080 eDP 1.4 x 1, up to 3840 x 2160 (Optional)
Display Interface	HDMI 2.1 x 1, up to 8K x 4K@60Hz or 4K x 2K@120Hz DP 1.4 x 1, up to 7680 x 4320@60Hz 30bpp (support DP++)
Multiple Display	Up to 4 Simultaneous Displays
Audio	
Codec	Realtek ALC897
Audio Interface	Line-In / Line-Out / Mic (Audio function not available for WITAS SKU)
Speaker	—
External I/O	
Ethernet	Intel® I219 1GbE, RJ-45 x 1 Intel® I226 2.5GbE, RJ-45 x 1
USB	USB 3.2 Gen 2 x 3 USB Type-C x 1 (USB 3.2 Gen 2, DP 1.4, PD 5V/3A)
Serial Port	—
Video	HDMI 2.1 x 1, DP 1.4 x 1

Features

- 12th Generation Intel® Core™ i7/i5/i3/Celeron® Processor SoC
- DDR5 4800, Dual Channel SODIMM x 2, up to 64GB
- LVDS x 1, eDP x 1, DP x 1, HDMI x 1
- 2.5GbE x 1, GbE x 1, SATA 6Gb/s x 1, GPIO 8-bit
- USB 3.2 Gen 2 x 3, USB 2.0 x 4, USB Type C x 1, RS-232/422/485 x 4
- M.2 2280 M-Key x 1, M.2 2230 E-Key x 1, M.2 3052/3042/2242 B-Key x 1
- Wide DC Input 9~36V



Internal I/O	
USB	USB 2.0 x 4
Serial Port	COM 1, COM 2 (RS-232/422/485, supports 5V/12V/RI) COM 3, COM 4 (RS-232/422/485)
Video	LVDS x 1 eDP x 1 Inverter x 1 (12V/2A)
SATA	SATA 6.0 Gb/s x 1 +5V SATA Power Connector x 1
Audio	Audio Header x 1 (Optional, Audio function not available for WITAS SKU)
DIO/GPIO	GPIO 8-bit
SMBus/I2C	SMBus/I2C x 1 (Default: SMBus)
Touch	—
Fan	4pins Smart Fan x 1
Sim	Nano SIM x 1
Front Panel	HDD LED, PWR LED, Power Button, Buzzer, Reset
Others	—
Expansion	
Mini PCIe/mSATA	—
M.2	M.2 2280 M-Key x 1 (PCIe 4.0 [x4] x 1) M.2 3052/3042/2242 B-Key x 1 (PCIe 3.0 [x2]/SATA + USB 3.2), Default: SATA (selected by BOM) M.2 2230 E-Key x 1 (PCIe 3.0 [x1] + USB 2.0)
Others	FPC x 1 (PCIe 4.0 [x4] x 1), Only support Graphic or NVME
Environment & Certification	
Operating Temp.	32°F ~ 140°F (0°C ~ 60°C) WITAS 2: -40°F ~ 185°F (-40°C ~ 85°C) on selected CPU SKU
Storage Temp.	-40°F ~ 185°F (-40°C ~ 85°C)
Operating Humidity	0% ~ 90% relative humidity, non-condensing
MTBF (Hours)	344,735
EMC	CE/FCC Class A

Packing List

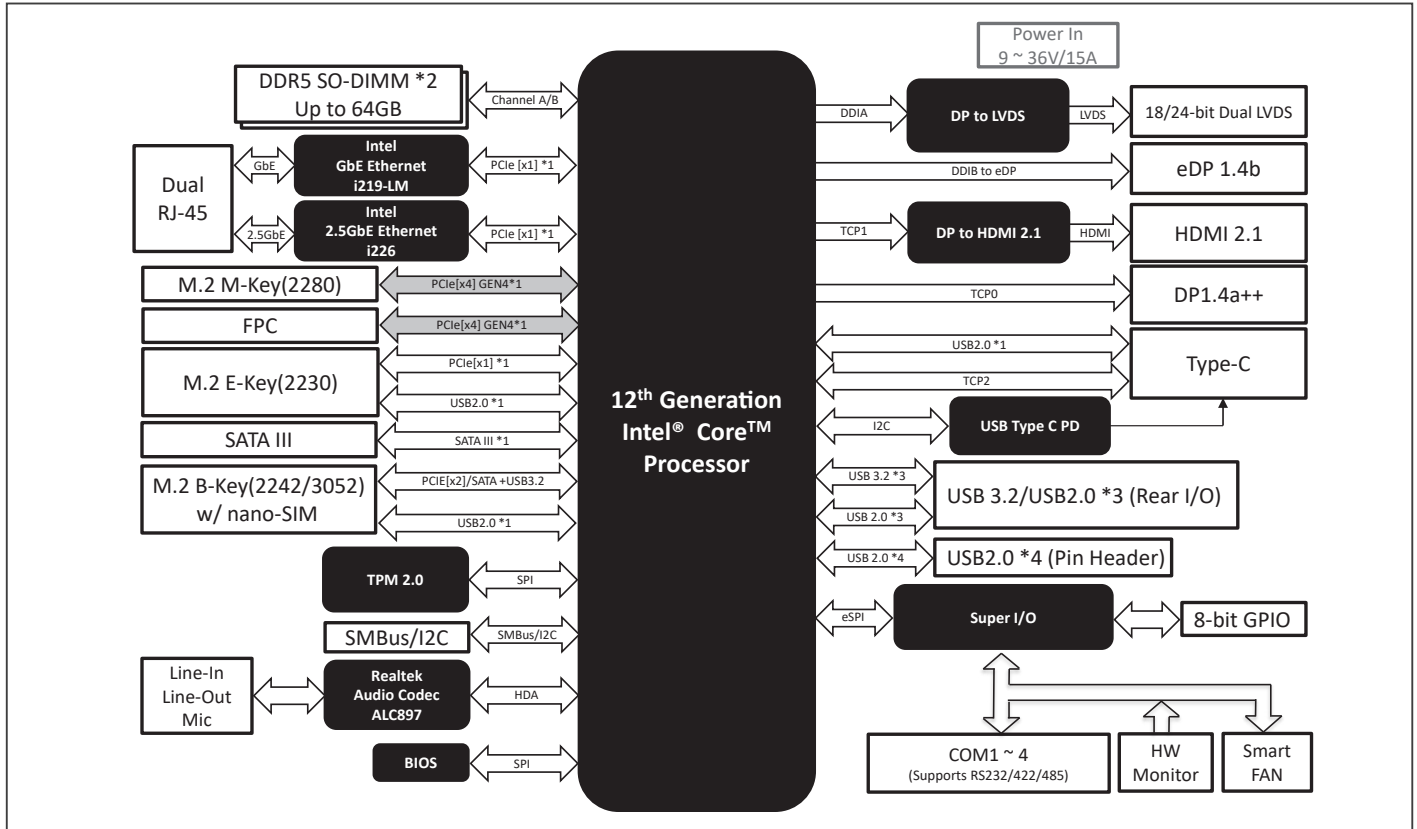
Part Number	Description	QTY
GENE-ADP6	GENE-ADP6 MB	1

Optional Accessories

Part Number	Description	QTY
GENE-ADP6-FAN01	CPU Cooler.12V.4800RPM.Smart FAN	1
GENE-ADP6-HSP01	Heatspreader.146*80*11mm	1
GENE-ADP6-HSK01	Heatsink. 146*101.6*25mm	1
1702150155	SATA HDD Power, Cable 15cm	1
170X000398	Power Cable, DC JACK, 30cm	1
170204010R	Power Cable,10cm	1
170X000156	Audio Cable, 25cm	1
1709100108	Front Panel Cable, 10cm	1
170X000231	Dual COM Port Cable, 30cm	2
170010010D	Dual USB 2.0 Cable, 10cm	2
PER-R41P-A02-0001	PCIe[x4] Adapter Kit.104*24mm.w/FPC Cable.40P.to 40P.80mm	1

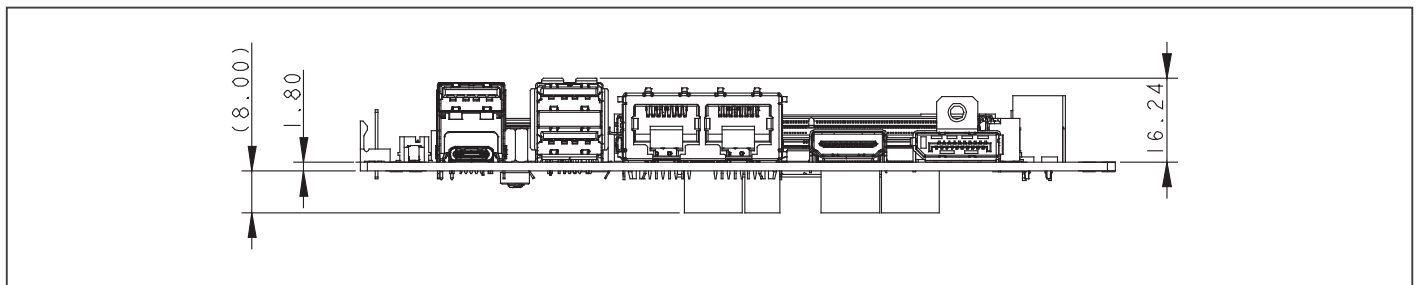


Block Diagram



Dimension

Unit: mm



Ordering Information

Part Number	CPU	Display	LAN	USB	COM	Storage	Expansion Slot	TPM	Power	Temp	Others
GENE-ADP6-A10-0001	Intel® Core™ i7-1270PE	HDMI x 1 DP++ x 1 LVDS x 1 eDP x 1 Type-c DP x 1	GbE x 1 2.5GbE x 1	USB 3.2 Gen 2 x 3 USB Type-C x 1 USB 2.0 x 4	4	SATA x 1	M.2 2280 M-Key x 1 M.2 3052 B-Key x 1 M.2 2230 E-Key x 1	2.0	9~36V	0°C ~ 60°C	Audio, Nano SIM, GPIO x 8, SMBUS
GENE-ADP6-A10-0003	Intel® Core™ i5-1250PE	HDMI x 1 DP x 1 LVDS x 1 eDP x 1 Type-c DP x 1	GbE x 1 2.5GbE x 1	USB 3.2 Gen 2 x 3 USB Type-C x 1 USB 2.0 x 4	4	SATA x 1	M.2 2280 M-Key x 1 M.2 3052 B-Key x 1 M.2 2230 E-Key x 1	2.0	9~36V	0°C ~ 60°C	Audio, Nano SIM, GPIO x 8, SMBUS
GENE-ADP6-A10-0004	Intel® Core™ i3-1220PE	HDMI x 1 DP x 1 LVDS x 1 eDP x 1 Type-c DP x 1	GbE x 1 2.5GbE x 1	USB 3.2 Gen 2 x 3 USB Type-C x 1 USB 2.0 x 4	4	SATA x 1	M.2 2280 M-Key x 1 M.2 3052 B-Key x 1 M.2 2230 E-Key x 1	2.0	9~36V	0°C ~ 60°C	Audio, Nano SIM, GPIO x 8, SMBUS
GENE-ADP6-A10-0005	Intel® Celeron® Processor 7305E	HDMI x 1 DP x 1 LVDS x 1 Type-c DP x 1	GbE x 1 2.5GbE x 1	USB 3.2 Gen 2 x 3 USB Type-C x 1 USB 2.0 x 4	4	SATA x 1	M.2 2280 M-Key x 1 M.2 3052 B-Key x 1 M.2 2230 E-Key x 1	—	12V	0°C ~ 60°C	Audio, Nano SIM, GPIO x 8, SMBUS