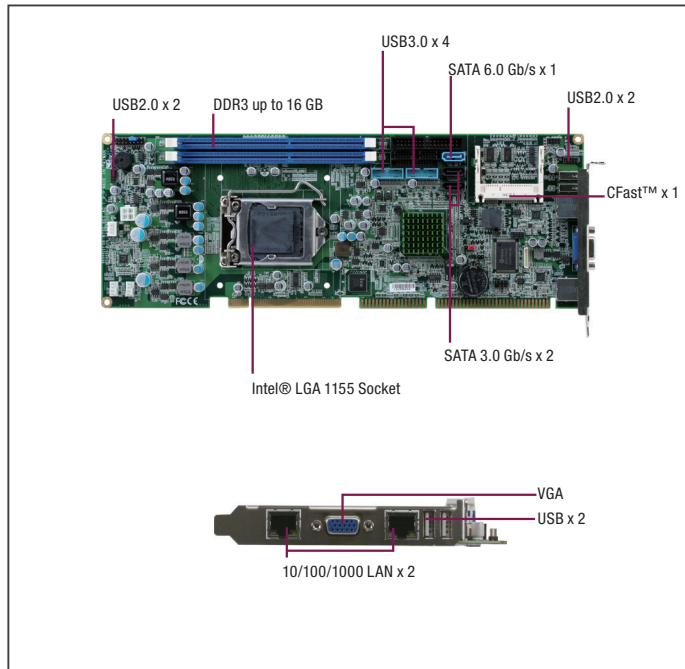


Full-Size SBC with 3rd Generation Intel® Core™ i7/i5/i3 LGA 1155 Processor



Features

- Intel® 3rd Generation Core™ i7/i5/i3 LGA 1155 Processor
- Intel® B75 Chipset
- Dual-Channel DDR3 Memory DIMM Socket x 2, Up to 16 GB
- Intel® B75 Integrated Intel® HD Graphics
- 10/100/1000Base-TX Ethernet x 2
- SATA 6.0 Gb/s x 1, SATA 3.0 Gb/s x 2, CFast™ x 1
- COM x 2, USB3.0 x 4, USB 2.0 x 6
- PICMG 1.0
- ATX 2.1 Power Requirement



Specifications

System	
Form Factor	Full size CPU Card
Bus Interface	PICMG 1.0
CPU	LGA 1155 for Intel® 3rd Generation Core™ i3/i5/i7 Processor
Memory Type	Up to 16 GB (DDR 3 1333/1600 DIMM x 2)
Chipset	Intel® B75
BIOS	AMI
Wake on LAN	No
Watchdog Timer	255 Levels
Watchdog Timer	Yes
Power Requirement	ATX 2.1
Power Consumption (Typical)	Intel® Core™ i7-3770 3.4 GHz, DDR3 8 GB 3.38A@+12V, 3.11A@+5V, 0.41A@+3.3V, 0.2A@5VSB, 58.45W (Full Load)
Dimension (L x W)	13.3" x 5" (339 mm x 126 mm)
Operating Temperature	32°F ~ 140°F (0°C ~ 60°C)
Storage Temperature	-40°F ~ 176°F (-40°C ~ 80°C)
Operating Humidity	0% ~ 90% relative humidity, non-condensing
MTBF (Hours)	60,000
Certification	CE/FCC, Class A
Display	
VGA/LCD Controller	Intel® B75
Video Output	Up to 2048 x 1536 @75 Hz for CRT
Backlight inverter supply	—
I/O	
Ethernet	10/100/1000Base-TX x 2
Audio	HDAC Daughter Board (optional) Mic-in/ Line-in/ Line-out/ CD-in
USB Port	USB3.0 x 4, USB2.0 x 6
Serial Port	RS-232 x 1 RS-232/422/485 x 1
Parallel Port	1
HDD Interface	SATA 3 x 1, SATA 2 x 2
FDD Interface	Optional
SSD	CFast™ x 1
Expansion Slot	PCI x 4/ ISA
DIO	8-bit programmable (4-in/4-out)
TPM	—

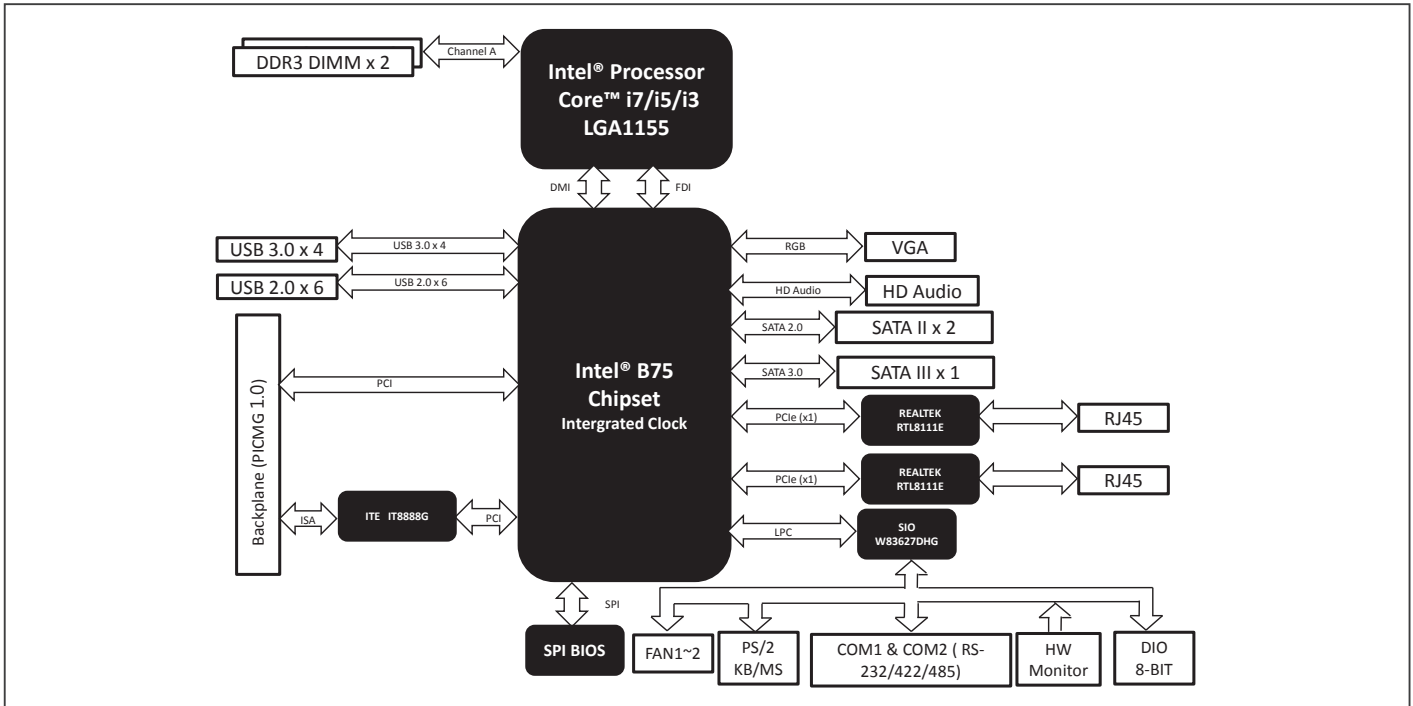
Packing List

- **1701260307**
Flat Cable, 9P/DB9P Male & 25P DB25P Female, 10P 2mm & 26P 2mm/IDC No Fold
- **1701100305**
Flat Cable, 9P/DB9P Male, 10P/2.0mm Pitch/IDC No Fold, 30cm with Bracket
- **1709100201**
USB Cable, 20cm, 2.0mm Pitch, with Bracket
- **1709070460**
SATA Cable, 1.27mm Pitch, 46cm with Lock
- **1703030501**
Wire, 3P 2.5mm Housing, 50cm
- **Product DVD**
- **FSB-B75G**

Optional Accessories

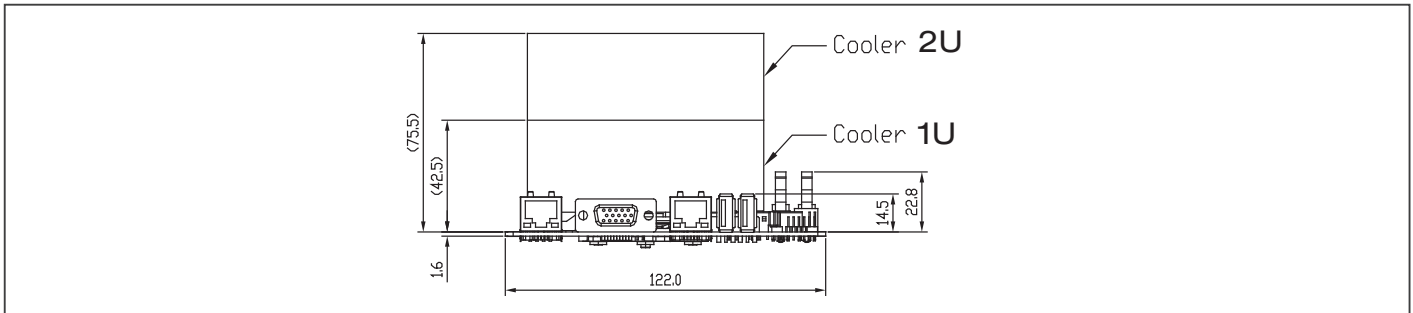
- **TF-PER-U01H**
HD Codec Audio Daughter Board
- **1175920000D**
LGA1155/1150 CPU Cooler, Aluminum (2U Height, 95Watt)
- **1759218000**
LGA1155/1150 CPU Cooler, Copper (1U Height, 95Watt)
- **1709080207**
KB/MS Cable
- **1700200401**
2 Ports USB3.0 Cable with Bracket, 40cm

Block Diagram



Dimension

Unit: mm



Passive Backplane Options

P/N	Description	Master Interface	Slots	Power Connector, ATX Extend Function
TF-BP-214SG-P12	Rackmount, PICMG 1.0, 14-Slot Backplane, 12 PCI, 2 ISA, Single Segment, AT/ATX	PICMG 1.0	12/2/2 (PCI/ ISA/ PICMG)	AT, ATX, 3-pin ATX extend
TF-BP-214SG-P7	Rackmount, PICMG 1.0, 14-Slot Backplane, 7 PCI, 6 ISA, Single Segment, AT/ATX	PICMG 1.0	7/6/2 (PCI/ ISA/ PICMG)	AT, ATX, 3-pin ATX extend
TF-BP-214SG-P4	Rackmount, PICMG 1.0, 14-Slot Backplane, 4 PCI, 9 ISA, Single Segment, AT/ATX	PICMG 1.0	4/9/2 (PCI/ ISA/ PICMG)	AT, ATX, 3-pin ATX extend
TF-BP-208SG-P7	Wallmount, PICMG 1.0, 8-Slot Backplane, 7 PCI, Single Segment, AT/ATX	PICMG 1.0	7/0/1 (PCI/ ISA/ PICMG)	AT, ATX, 3-pin ATX extend
TF-BP-208SG-P4	Wallmount, PICMG 1.0, 8-Slot Backplane, 4 PCI, 3 ISA, Single Segment, AT/ATX	PICMG 1.0	4/3/2 (PCI/ ISA/ PICMG)	AT, ATX, 3-pin ATX extend
TF-BP-206SG-P4	Wallmount, PICMG 1.0, 6-Slot Backplane, 4 PCI, 2 ISA, Single Segment, AT/ATX	PICMG 1.0	4/2/2 (PCI/ ISA/ PICMG)	AT, ATX, 3-pin ATX extend
TF-BP-206SG-P2	Wallmount, PICMG 1.0, 6-Slot Backplane, 2 PCI, 3 ISA, Single Segment, AT/ATX	PICMG 1.0	2/3/2 (PCI/ ISA/ PICMG)	AT, ATX, 3-pin ATX extend

Ordering Information

Part Number	CPU	RAM	Fan/Fanless	Display	Storage	LVDS	LAN	USB	RS-232	RS-232/422/485	Expansion Slot	Power	Temp.
FSB-B75G-A10-G2	Socket	DIMM	Fan	VGA	SATA 6.0 Gb/s x 1, SATA 3.0 Gb/s x 2 (Backplane x 2)	—	GbE x 2	USB 3.0 x 4 USB 2.0 x 6	1	1	PICMG 1.0	ATX	0°C ~ 60°C