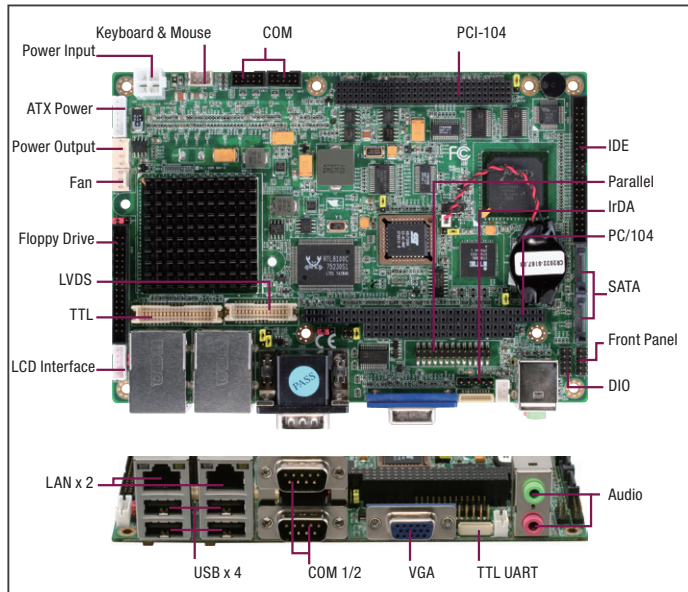


## EPIC Board with Onboard AMD Geode™ LX800 (500 MHz) Processor



## Features

- Onboard AMD Geode™ LX800 Processor
- AMD LX800 + CS5536
- DDR 333 MHz SODIMM, Up to 1 GB and DDR 400 MHz, Up to 512 MB
- 10/100Base-TX Ethernet x 2
- Up to 24-bit TTL/LVDS LCD Panel
- High Definition Audio (HDA)
- EIDE x 1, SATA 1.5 Gb/s x 2 with RAID 0,1, CompactFlash™ x 1, Floppy Disk Drive x 1
- Parallel x 1, COM x 5, USB2.0 x 4, 8-bit Digital I/O x 1
- PC/104+ Expansion
- +12V, AT/ATX

## Specifications

System	
Form Factor	EPIC
CPU	AMD Geode™ LX 800
CPU Frequency	Up to 500 MHz
Chipset	AMD CS5536
Memory Type	SDRAM DDR333 (DDR400 optional), SODIMM x 1
Max. Memory Capacity	1 GB
BIOS	Award 1 MB
Wake on LAN	Yes
Watchdog Timer	255 Levels
Power Requirement	+12V
Power Supply Type	AT/ATX
Power Consumption (Typical)	AMD Geode™ LX 800 500 MHz, DDR333 1 GB 1.35A@12V
Dimension (L x W)	4.53" x 6.50" (115mm x 165mm)
Operating Temperature	32°F ~ 140°F (0°C ~ 60°C)
Storage Temperature	-40°F ~ 176°F (-40°C ~ 80°C)
Operating Humidity	0% ~ 90% relative humidity, non-condensing
MTBF (Hours)	70,000
Certification	CE/FCC
Display	
VGA/LCD Controller	AMD Geode™ +TI SN75LVDS83
Video Output	CRT, LVDS & TTL
Backlight Inverter Supply	Max. 12V
I/O	
Ethernet	10/100Base-TX x 2, Realtek 8100C (Optional Gigabit LAN)
Audio	High Definition Audio (HDA)
USB Port	USB2.0 x 4 (Does not support wake-up function)
Serial Port	RS-232 x 3, TTL only/ GPS x 1, RS-232/422/485 x 1
Parallel Port	SPP/EPP/ECP x 1
HDD Interface	UDMA100 x 1, SATA 1 x 2
FDD Interface	FDD x 1
SSD	CompactFlash™
Expansion Slot	PC/104-plus
PWM LCD Support	—
DIO	8-bit
TPM	—
Touch	—



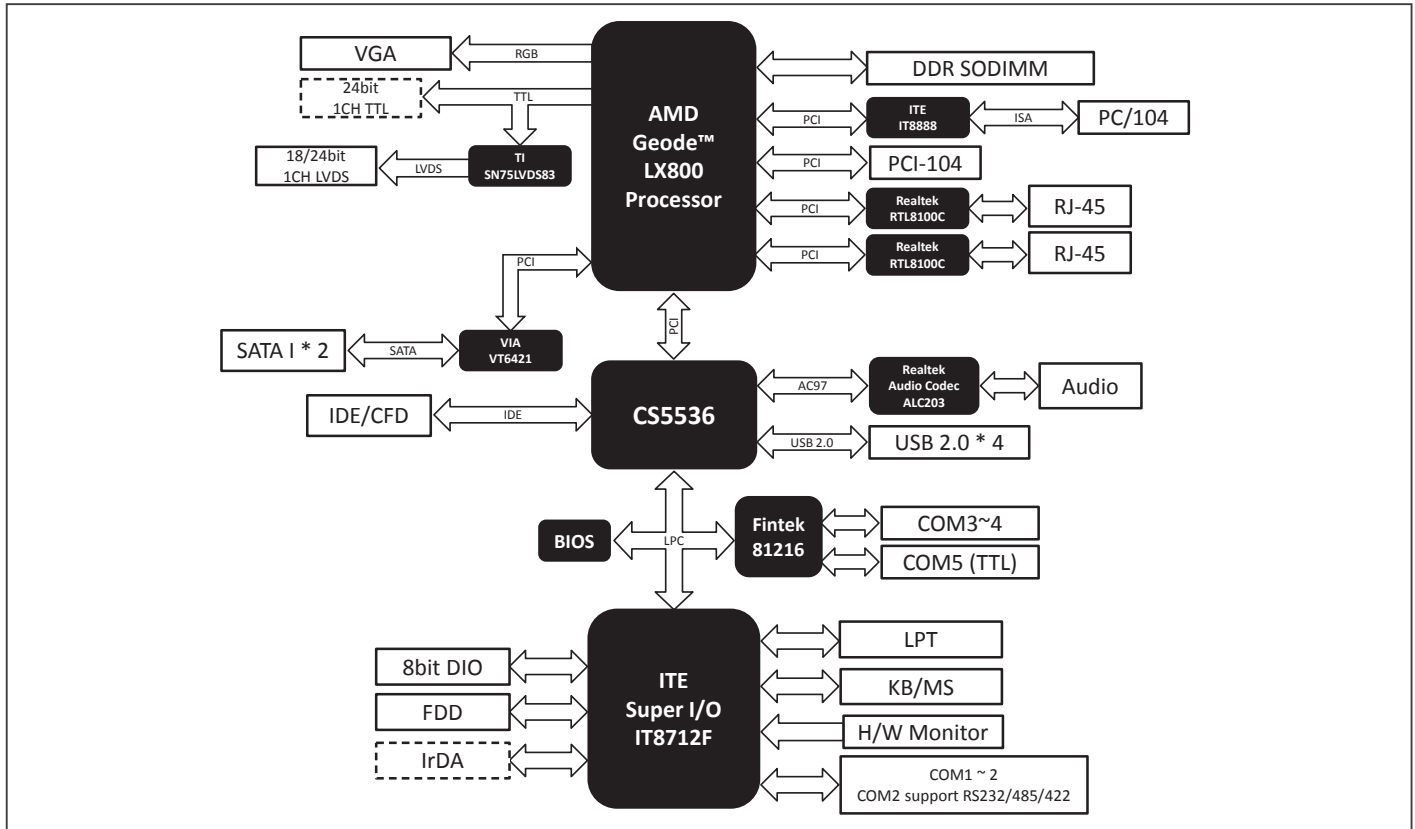
## Packing List

- **9681945600**  
Cable Kit for EPIC-5536  
1701440500 IDE Cable, Length 30+20cm  
1700060152 Keyboard/Mouse Cable, Length 15cm
- **9657666600**  
Jumper Cap
- **Product CD**
- **EPIC-5536 with Heatsink**

## Optional Accessories

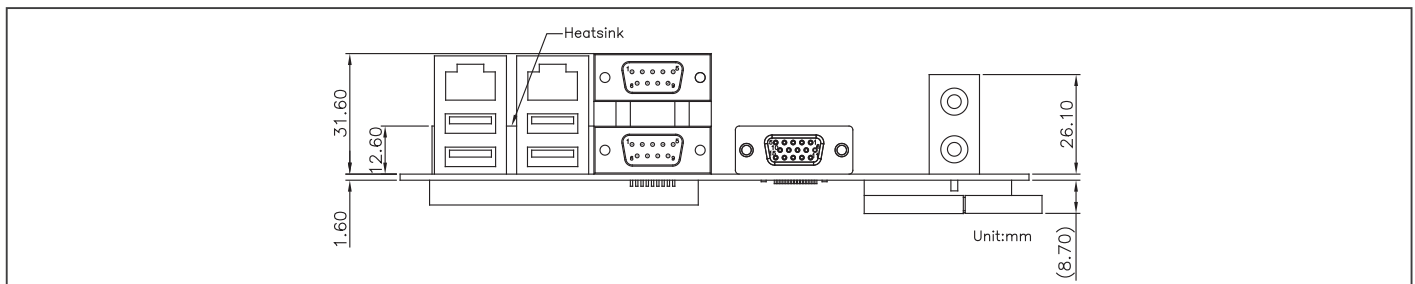
- **1701260200**  
LPT Cable, Length 20cm
- **1700060152**  
Keyboard/Mouse Cable, Length 15cm
- **1709070500**  
SATA Cable, Length 50cm
- **1701100206**  
COM Port Cable, Length 20cm
- **1701340703**  
FDD Cable, Length 70 cm
- **1702040109**  
Power Output Cable, Length 10cm
- **1703030102**  
Audio Cable (Line-in), Length 10cm
- **1701440500**  
IDE Cable, Length 30+20cm

## Block Diagram



## Dimension

Unit: mm



## Ordering Information

Part Number	CPU	Memory	Fan/Fanless	Display	LVDS	Storage	LAN	USB	RS-232	RS-232/422/485	Expansion Slot	Power	Power Temp	Others
TF-EPIC-5536-A10	AMD Geode LX800	DDR (Max. 1 GB)	Fanless	CRT+ LVDS	24b 1CH	SATA x 2, EIDE x 1, CF x 1	FE x 2	UBS2.0 x 4	3	1 + 1 (TTL UART)	PC/104+ x 1	+12V (ATX)	0°C ~ 60°C	LPT, DIO 8-bit, Audio, PS/2
TF-EPIC-5536-A10-01	AMD Geode LX800	DDR (Max. 1 GB)	Fanless	CRT+ LVDS	18b 1CH	SATA x 2, EIDE x 1, CF x 1	FE x 2	UBS2.0 x 4	3	1 + 1 (TTL UART)	PC/104+ x 1	+12V (ATX)	0°C ~ 60°C	LPT, DIO 8-bit, Audio, PS/2