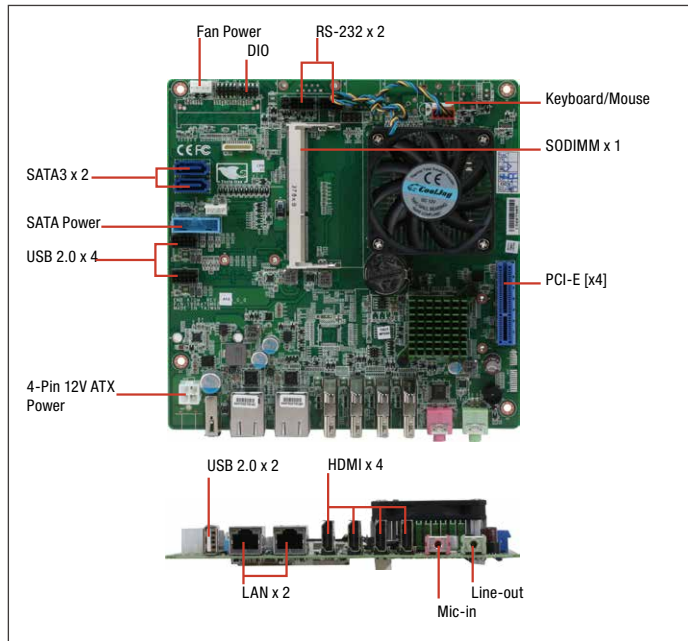


Embedded Motherboard with Onboard AMD® R-Series Accelerated Processing Unit

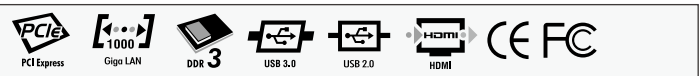


Specifications

System	
Processor	On board AMD® Embedded R-260H/R-460L APU(Dual Core) up to 25W
Chipset	AMD® M3/A70M
Memory	Dual-Channel with 204-pin SDRAM x 2, DDR3 1333/1066, up to 16GB
Graphics	AMD Radeon HD 7000 Graphic Engine
I/O Chipset	ITE IT8728
Ethernet	Realtek® 8111E, Gigabit Ethernet, RJ-45 x 2
Audio	Realtek® ALC892
TPM	—
Expansion Slots	PCIe [x4] x 1, Mini-PCIe x 1, mSATA x 1
BIOS	AMI BIOS - 32MB ROM
H/W Monitor	Supports System temperature, Voltage, and Cooling fan status monitoring
WatchDog Timer	System Reset: 1~255 steps programmable
Smart Fan Control	CPU Fan/Chassis Fan
Wake On LAN/ PXE	Yes
Power State	S3,S4,S5
Graphics	
Graphics Chipset	AMD® M3/A70M
Graphics Multi Display	HDMI x 4
VGA	—
DVI	—
HDMI	4
Display Port	—
LVDS	—
eDP	—
Backlight Control	Voltage
Environment & Power & ME	
Battery	Lithium Battery
Power Requirement	12V DC
Operating Temperature	32°F ~ 140°F (0°C ~ 60°C)
Storage Temperature	-40 °F ~ 176 °F (-40 °C ~ 80 °C)
Operating Humidity	0% ~ 90% R/H, non-condensing
Certificate	CE/FCC
Form Factor	Mini-ITX 6.7" x 6.7" (170mm x 170mm)
Weight	1.32 lb (0.6 kg)
MTBF	88,000
Rear Panel I/O Ports	
USB	USB 2.0 x 1 with Type A connectors
Display I/O	HDMI x 4
Audio I/O	Mic-in, Line-out

Features

- AMD® Embedded R-260H & R-460L APU (FP2 BGA)
- 204-pin DDR3 1333/1066 MHz SODIMM x 2, Up to 16 GB
- Supports HD Display by HDMI x 4
- Audio Line-out x 1, Mic-in x 1
- USB 2.0 x 1 with Type A Connectors; USB 3.0 x 2, USB 2.0 x 4 with Pin Headers
- Realtek® 8111E for 10/100/1000Base-TX, RJ-45 x 2
- SATA 6.0 Gb/s x 2, mSATA x 1
- Mini-PCIe (Full Size) with SIM Socket x 1, Mini-PCIe x 1 (Optional PCI-E & SATA Signal, Default for mSATA)
- PCI-E [x4] x 1



LAN I/O	RJ-45 x 2
Serial Port	—
PS/2 Port	—
Others	—

Internal I/O Connectors

Storage	SATA 3.0 Gb/s x 2
USB	USB 3.0 x 2, USB 2.0 x 4
Display I/O	—
Audio I/O	—
Serial Port	RS-232 x 1, RS-232/422/485 x 1
PS/2 Port	—
Parallel Port	—
DIO	8-bit programmable (4-in/4-out)
FAN	CPU Fan connector(s) (4-pin) x 1, Chassis Fan connector(s) (4-pin) x 1
Power	4-pin connector x 1
Others	—

OS

OS Support	Windows® XP, Windows® 7 32/64-bit, Linux Fedora
------------	---

Packing List

- 1709070800
SATA Cable x 1
- 1702151201
SATA Power Cable x 1
- M20A70M000
I/O Shield x 1
- Product DVD
- EMB-A70M

Optional Accessories

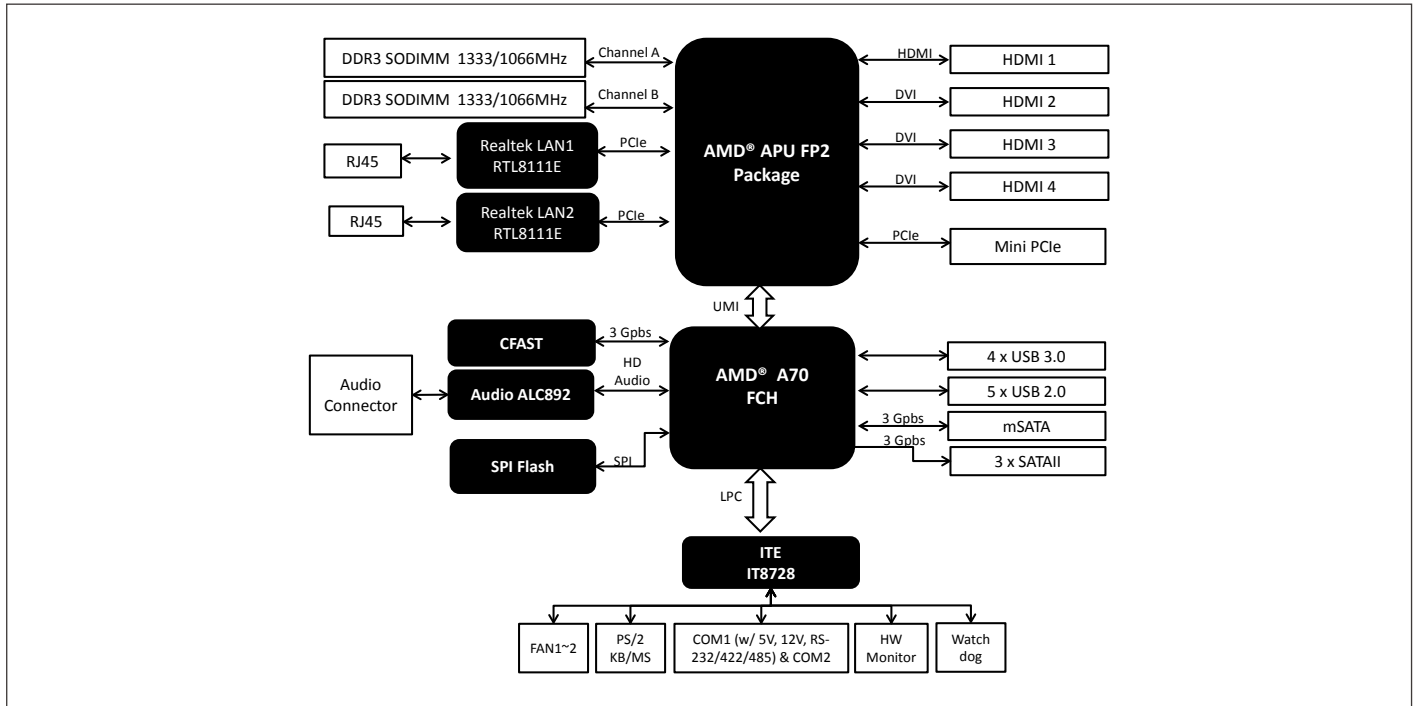
- 1709070800
SATA Cable, 7P Pitch 1.27mm, 80cm, with Lock
- 1702151201
Power Cable, 4P 2.5mm Housing, 15P SATA(F), 12cm
- 9657666600
Accessory, for all series Jumper
- M166616000
Metal, AL, Heatsink, 28.2 x 28.2 x 13cm, Rev.0.0.F or TM6616, ACE, CM334-282813-Green
- 1709100201
USB Cable, 20cm 2.0mm, with Bracket
- 1700200301
USB 3.0 Cable, 2 Ports USB 3.0 to 20P 2.0mm Housing, 30.5cm
- 1701100206
Flat Cable, 9P DB 9P Male, 10P 2.00mm Pitch Housing, 20cm
- 1700040309
Cable, 4P Power CONN, to 3P DC Jack, 30cm

Note:

- Minimum of 3 identical monitors for 4 independent display.
- Only HDMI Port 1 has Audio Support.
- Static Playback could support 4 independent display up to Full HD 1080P.

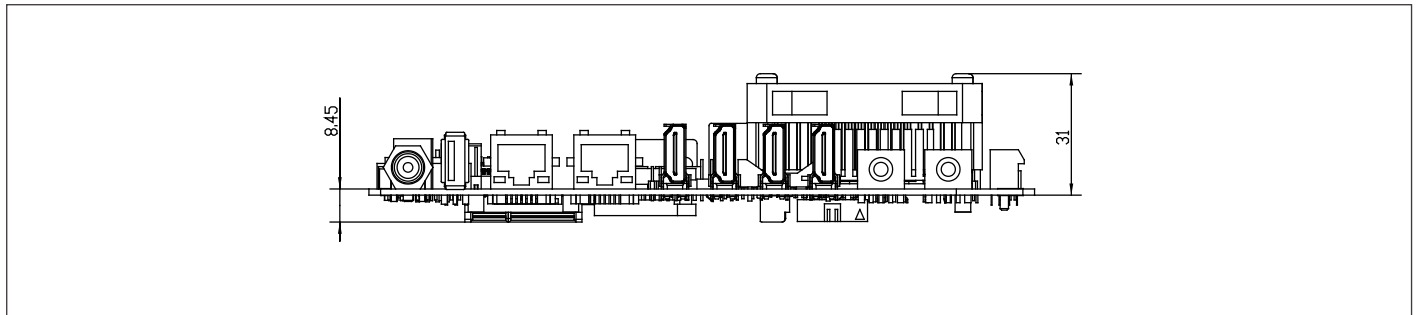
EMB-A70M

Block Diagram



Dimension

Unit: mm



Ordering Information

Part number	CPU	RAM	Fan/Fanless	Display	Storage	LAN	USB	RS-232	RS-232/422/485	Expansion Slot	Power	TPM	Temp.
EMB-A70M-A10	R-260H	DDR3 16GB	Fan	HDMI	SATA3 x 2, mPCIe x 1, mSATA x 1	GbE x 2	USD3.0 x 2, USB 2.0 x 5	1	1	PCIe [x4] x 1, mPCIe x 1	+12V DC	-	32°F ~ 140°F (0°C ~ 60°C)
EMB-A70M-A10-01	R-460L	DDR3 16GB	Fan	HDMI	SATA3 x 2, mPCIe x 1, mSATA x 1	GbE x 2	USD3.0 x 2, USB 2.0 x 5	1	1	PCIe [x4] x 1, mPCIe x 1	+12V DC	-	32°F ~ 140°F (0°C ~ 60°C)