

## Features

- ATX Form Factor
- Supports COM HPC Client Size A/B/C, J1 and J2
- PEG x 2, PCIe [x4] x 2 + M.2 2280 M-Key x 2 (NVMe)
- DP x 2, HDMI x 1, eDP x 1
- USB Type C x 3, USB Type A x 4
- RJ-45 x 2, SATA III x 2

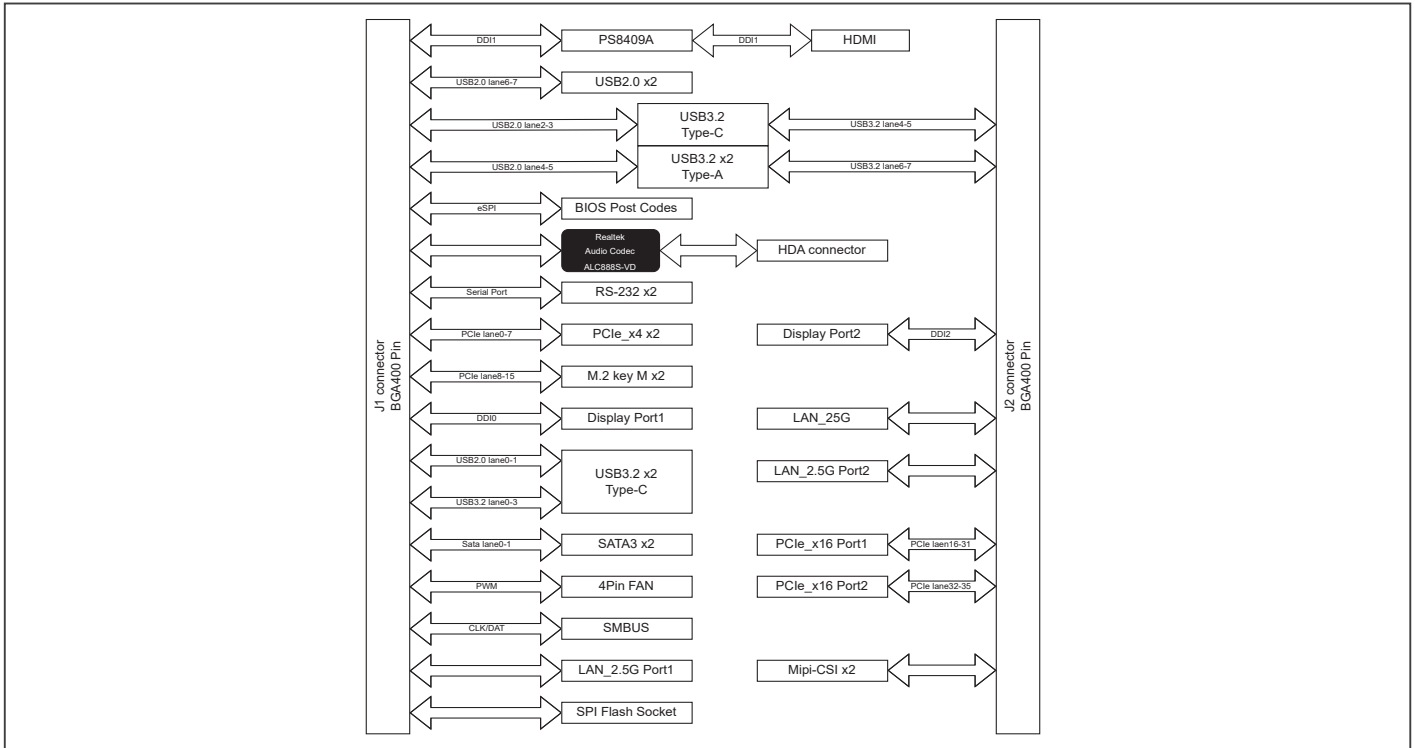


## Specifications

System	
Form Factor	COM HPC Client Size A/B/C
COM Express Connector	x 2 (J1 and J2)
I/O Chipset	—
Front Panel Control	10-pin Header (2x5P)
Ethernet	2.5 GbE x 1 10 GbE x 1
Expansion Interface	PCIe [x4] x 2 (Group 0, Lane 0 ~ 7) PCIe [x16] x 2 (one PCIe [x16] only supports PCIe [x4])
Power Supply Type	Standard 24-pin ATX + 8-pin 12V
CMOS Battery	RTC battery socket x 1
BIOS	Yes
Board Size	12" x 9.6" (305mm x 244mm)
Gross Weight	1.54 lb. (0.7Kg)
Operating Temperature	32°F ~ 140°F (0°C ~ 60°C)
Storage Temperature	-40°F ~ 176°F (-40°C ~ 80°C)
Operating Humidity	0% ~ 90% relative humidity, non-condensing
Display	
LCD	eDP x 1
Display interface	Display Port x 2 HDMI x 1
I/O	
Storage	SATA x 2 M.2 2280 M-Key x 2 (PCIe Gen 4 [x4] for NVMe)
Serial Port	4-wire UART x 2
USB	USB 3.2 x 2 (20Gbps, up to Gen 2 x 2 support) USB 3.2 x 1 (10Gbps, up to Gen 2 x 1 support) USB 3.2 x 2 (5Gbps, up to Gen 1 x 1 support) USB 2.0 x 8
Audio	Audio Jack, supports Line-in, Line-out, Microphone
GPIO	12 bit
Switch/Button	Power Button x 1 / Reset Button x 1
Debug LED	7-Segment Display LED x 2 (80 Port Post Code Indicator)
I2C	x 1
Expansion Interface	SMBus, LPC/eSPI slot

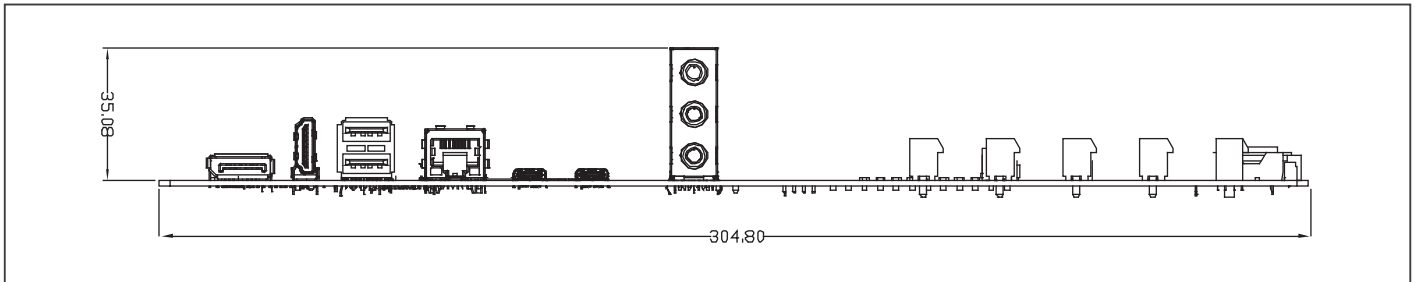


## Block Diagram



## Dimension

Unit: mm



## Packing List

- COM Port Cable x 2
- Screw.M2.5\*5mm x 2
- Bolt.M2.5mm.8mm x 4
- ECB-980A x 1

## Ordering Information

- **ECB-980A-A11-0001**  
COM HPC Client Carrier.Size A/B/C.HDMI.DP.2GbE.3USB(TypeC).2SATA.PCIE.ATX.A1.1