

## Features

- Mini-ITX form Factor
- Supports MXM SMARC module
- PCIe [x4] x 1, MIPI CSI x 2
- DP++ x 2, HDMI x 1, LCD x 2
- USB Type A x 6, Micro USB Type B x 1
- RJ-45 x 2, SATA III x 1

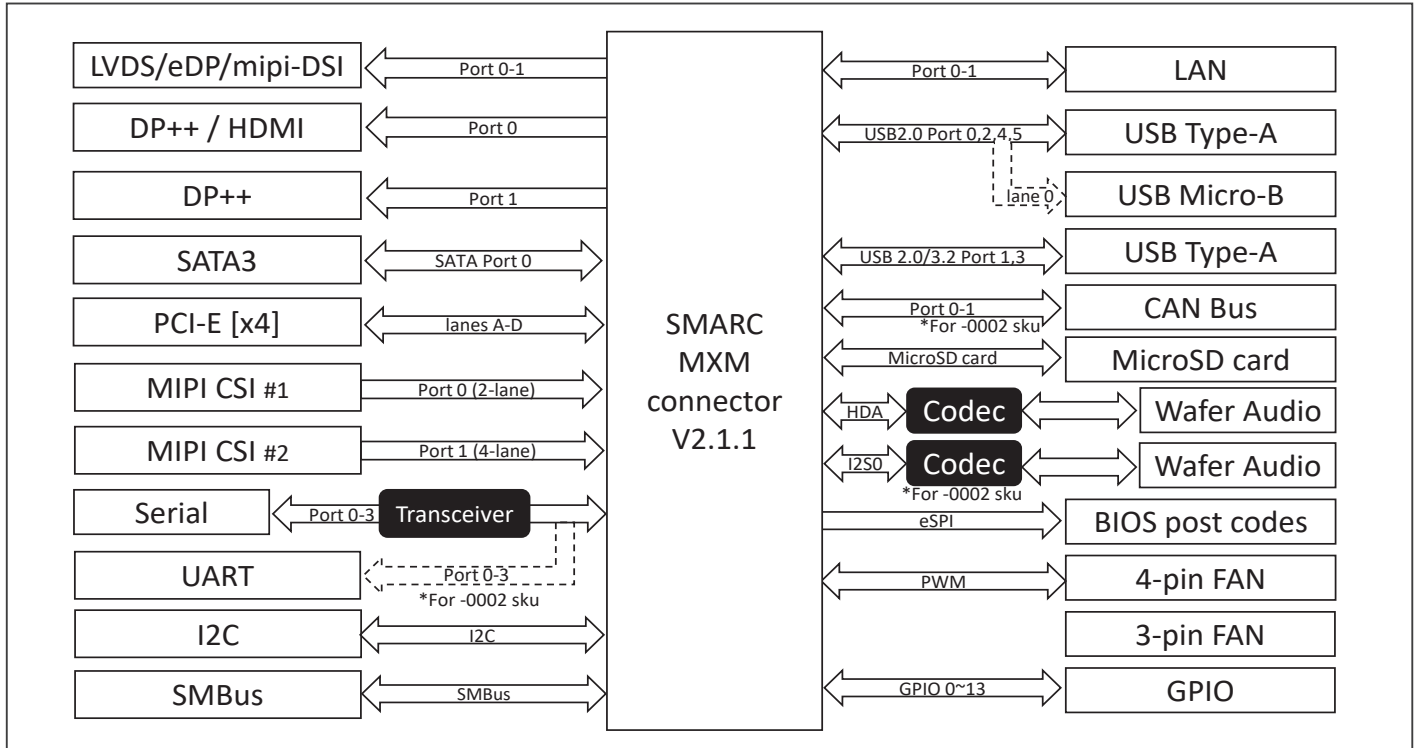


## Specifications

System	
Form Factor	Mini-ITX form Factor
COM Express Connector	—
I/O Chipset	—
Front Panel Control	—
Ethernet	10/100/1000/2500 Base-TX RJ45 x 2
Expansion Interface	PCIe lane[x4] x 1
Power Supply Type	AT / ATX Depends on module
CMOS Battery	RTC battery socket x 1
BIOS	—
Board Size	6.69" x 6.69" (170mm x 170mm)
Gross Weight	1.54 lb. (0.7Kg)
Operating Temperature	-40°F ~ 185°F (-40°C ~ 85°C)
Storage Temperature	-40°F ~ 185°F (-40°C ~ 85°C)
Operating Humidity	0% ~ 90% relative humidity, non-condensing
Display	
LCD	LCD connectors x 2 for LVDS, eDP, DSI(4 lane), support by module features
Display Interface	DDI2: HDMI or DP++ (Optional, by BOM) DDI1: DP++
I/O	
Storage	SATA 6Gb/s x 1 (Optional, by BOM)
Serial Port	RS-232 x 2 (Tx/Rx) + RS-232 x 2 (Tx/Rx/RTS/CTS) or 4-wire UART x 2 + 2-wire UART x 2 (Optional, by BOM)
USB	Type A connector x 6 (USB 2.0 x 4, USB 3.2/2.0 x 2) OTG x 1 (Client Mode Only) co-lay USB 2.0 x 1
Audio	High Definition Audio (pin header) x 1 or I2S x 1 (Optional, by BOM)
GPIO	7 bit (up to 14 bit ,optional by BOM)
Switch/Button	Power Button x 1/Reset Button x 1/Sleep Button x 1
Debug LED	7-Segment Display LED x 1 (80 Port Post Code Indicator) for x86
I2C	x 1
Expansion Interface	microSD card x 1 (Optional, by BOM) MIPI CSI x 2 (4 lane + 2 lane) CANBUS 2.0 A/B x 2 (Optional, by BOM) 3 pin Fan connector x 1 4 pin Fan connector x 1 SMBus x 1 SPI x 1 (Optional, by BOM)

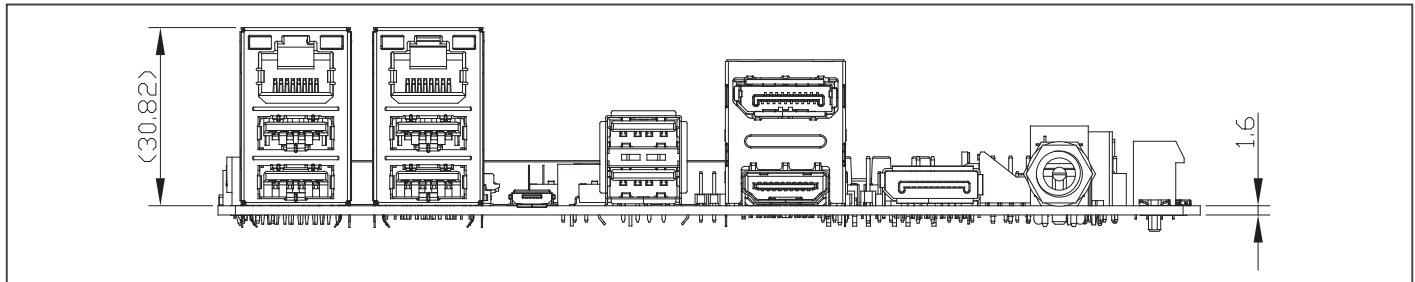


## Block Diagram



## Dimension

Unit: mm



## Packing List

- ECB-960T x 1

## Ordering Information

Part Number	Description	Cable List
ECB-960T-A15-0001	SMARC Carrier for x86.mITX.2LAN.6USB.4COM.SATA.2DP.LCD.2CSI.HDA.PCIE.12V.A1.5	COM Port Cable x 1 Audio Cable x 1 SATA Cable x 1 GPIO Cable x 1
ECB-960T-A15-0002	SMARC Carrier for ARM.HDMI.LVDS.2GbE.5USB.4UART.PCIE.2CSI.CANBUS.A1.5	Audio cable x 1 GPIO cable x 1